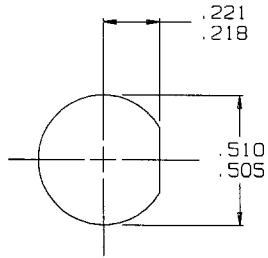


DATA CONTAINED IN THIS DOCUMENT IS PROPRIETARY TO TROMPETER ELECTRONICS INC. AND SHALL NOT BE DISCLOSED, COPIED OR USED FOR PROCUREMENT OR MANUFACTURE WITHOUT EXPRESS WRITTEN PERMISSION.

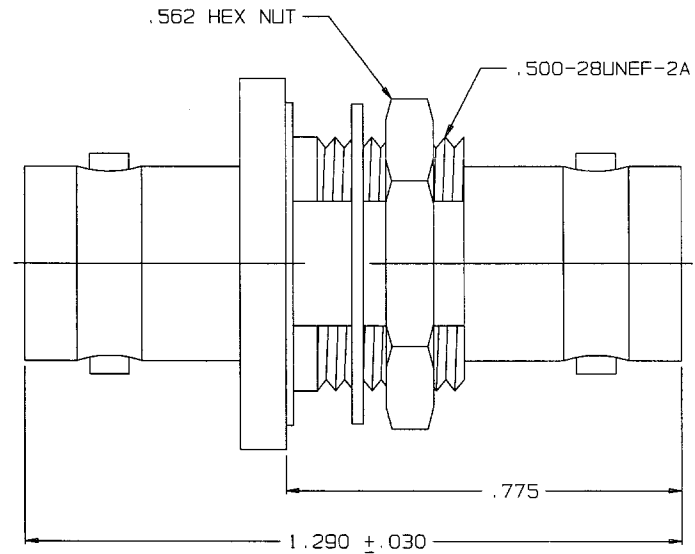
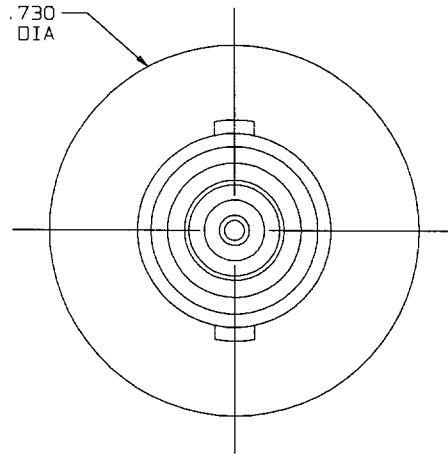
REVISIONS			305-0506		SH 2
REV	ED	DESCRIPTION	OWN	APPROVED	DATE
E	13380	UPDATED DRAWING & DELETED NOTE [1] SHEET 2 SEE ECO	R L	<i>RAM</i>	4/20/00



RECOMMENDED
PANEL CUTOUT
SCALE: 2/1

RED INDICATES ORIGINAL

INCH	MM
.005	0.13
.030	0.76
.187	4.75
.218	5.54
.221	5.61
.505	12.83
.510	12.95
.562	14.27
.730	18.54
.775	19.69
1.290	32.77



4. CONCENTRIC TWINAX/TRIAX 2-LUG TRB BULKHEAD MOUNT FEEDTHRU RECEPTACLE
3. MAX PANEL THK .187
2. FINISH: TFS-1A (NICKEL)
1. ALL DIMS ARE INCHES

QTY	DESCRIPTION		PART NUMBER	ITEM			
	TOL UNLESS SPECIFIED .XX ± .XXX ± .XXXX ± ANGLES ±		TROMPETER ELECTRONICS, INC. BJ78TL				
	DWN	R L			4/4/00	MATERIAL	CODE IDENT
	CHK	<i>RAM</i>	<i>4/19/00</i>		14949	305-0506	E
	ENGR	<i>RAM</i>	<i>4/19/00</i>				
NEXT ASSY	APPR	<i>RAM</i>	<i>4/19/00</i>	SCALE 4/1	DATE 9-20-83	SHEET 1C	