

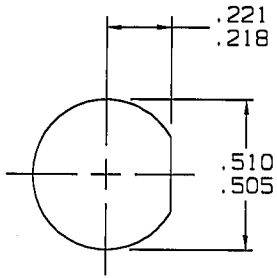
DATA CONTAINED IN THIS DOCUMENT IS PROPRIETARY TO TROMPETER ELECTRONICS INC. AND SHALL NOT BE DISCLOSED, COPIED OR USED FOR PROCUREMENT OR MANUFACTURE WITHOUT EXPRESS WRITTEN PERMISSION OF TROMPETER ELECTRONICS INC.

REVISIONS

305-1501

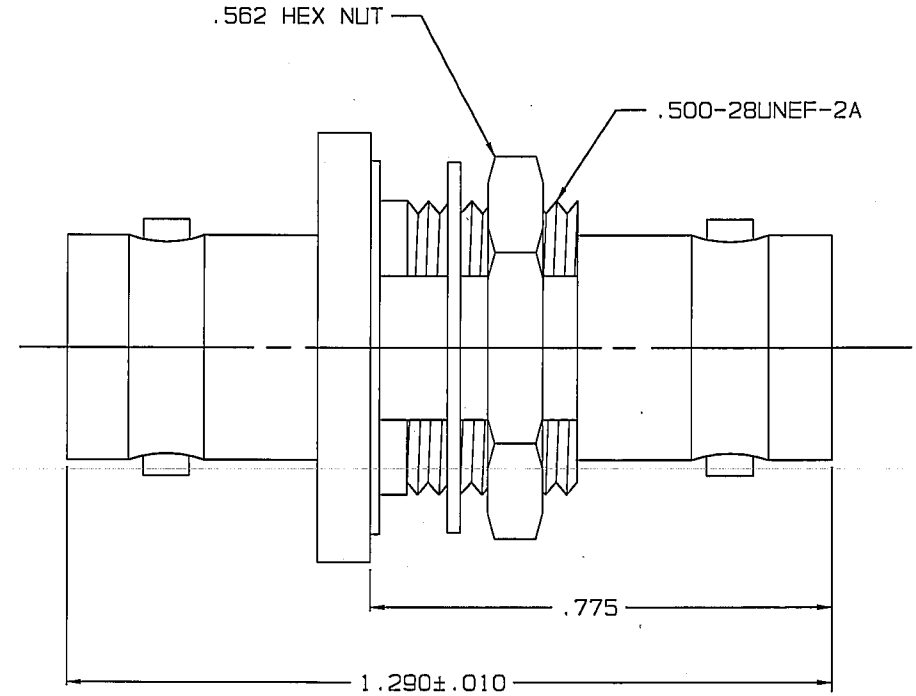
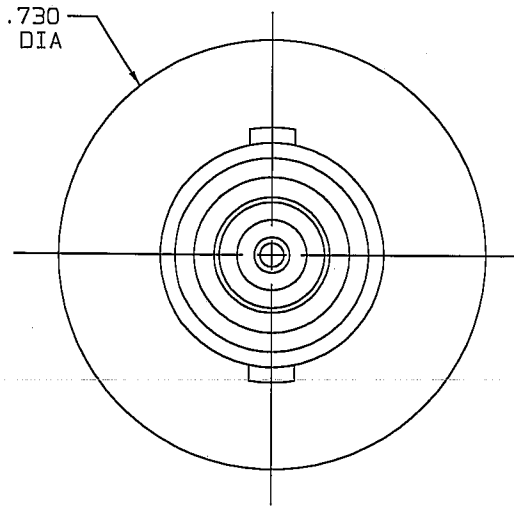
SH 1C

REV	DESCRIPTION	DATE	APPROVED
A	PRODUCTION RELEASE		



RED INDICATES ORIGINAL

RECOMMENDED
PANEL CUTOUT
SCALE: 1.5/1



6. MATERIAL & CONSTRUCTION: MEET THE REQUIREMENTS OF MIL-C-39012 WHERE APPLICABLE
5. DIELECTRIC WITHSTANDING VOLTAGE: 500 V COMMON MODE VOLTAGE BETWEEN CIRCUITS
4. LEAK RATE: 1×10^{-8} CC/SEC MAX OF TRACER GAS AT ATMOSPHERIC PRESSURE
3. HERMETICALLY SEALED TWINAX/TRIAX FEED THRU ADAPTER FOR MOUNTING IN BULKHEAD .187 THK MAX
2. FINISH: TFS-1A (NICKEL)
1. ALL DIM ARE IN INCHES

INTERPRET DRAWING PER MIL-STD-100 DIMENSIONS ARE IN INCHES AND INCLUDE FINISH THICKNESS UNLESS OTHERWISE SPECIFIED

TOL: UNLESS SPECIFIED
.XX ± .02
.XXX ± .010
.XXXX
ANGLES



DRAWN R L	DATE 4/23/01	MATERIAL:
CHECKED J.M.	4/23/01	FINISH:
APPROVED J.M.	4/23/01	

TITLE: BJ78TLHS			
SIZE A	CAGE CODE 14949	DRAWING NO. 305-1501	REV. A

NEXT ASSY	CAD FILE NO. 305-1501A1	DO NOT SCALE DWG	SCALE 3/1	DATE: 4/23/01	SHEET 1C
-----------	----------------------------	------------------	--------------	------------------	-------------