

RED INDICATES ORIGINAL

DATA CONTAINED IN THIS DOCUMENT IS PROPRIETARY TO TROMPETER ELECTRONICS, INC. AND SHALL NOT BE DISCLOSED, COPIED OR USED FOR PROCUREMENT OR MANUFACTURE WITHOUT EXPRESS WRITTEN PERMISSION.

REV		ED		DESCRIPTION	DWN	APPROVED	DATE
AJ	11465			FOR CHANGES SEE ECD	AAH	<i>Bm: FOL</i>	1/19/96

DASH NO	CABLES ACCOMMODATED	ASSEMBLE PER
-7	TRC-50-2/TRC-75-2	TAI-189
-9	TWC-78-2/TWC-124-2	TAI-102
-23	250-3884, MICRODOT	TAI-189
-24	202-3894, MICRODOT	TAI-102
-24A	8530A5117, RAYCHEM	TAI-189
-25	T-43M, GENERAL	TAI-102
-25A	5021H5331, RAYCHEM	TAI-189
-26	7028A5518, RAYCHEM	TAI-189
-27	202-3827, MICRODOT	
-29	TWC-78-1/TWC-124-1A	TAI-102
-30	781A, W.E.CO./8441, BELDEN	
-32	TRC-50-1	
-33	TRC-75-1	
-42	21-204, ESSEX 4463, CONSOLIDATED	TAI-189
-43	250-4044/250-4045 283-3830, MICRODOT	
-45	M27500-22TE2T14 1100-66F, STANDARD	
-47	M17/176-00002	TAI-102
-49	TWAC-78-1F2	
-55	89272, BELDEN	
-56	GC875GC1, GRUMMAN	TAI-189
-57	GC875GB1, GRUMMAN	
-58	GC875TM24H, GRUMMAN	TAI-102
-59	GC875LN1, GRUMMAN	
-60	M17/177, THERMATICS 380-10045, BOEING	TAI-189
-64	7528A5314, RAYCHEM	

POLARIZATION CHART				
KEYING LETTER	A DEGREES	B DEGREES	C DEGREES	COLOR BAND
NONE	120°	120°	120°	NONE
T	100°	150°	110°	RED
U	120°	130°	110°	ORANGE
V	115°	130°	115°	YELLOW
W	125°	110°	125°	GREEN
X	130°	100°	130°	BLUE
Y	110°	140°	110°	VIOLET
Z	100°	160°	100°	GRAY
S	135°	135°	90°	WHITE

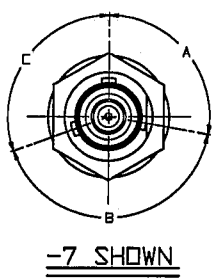
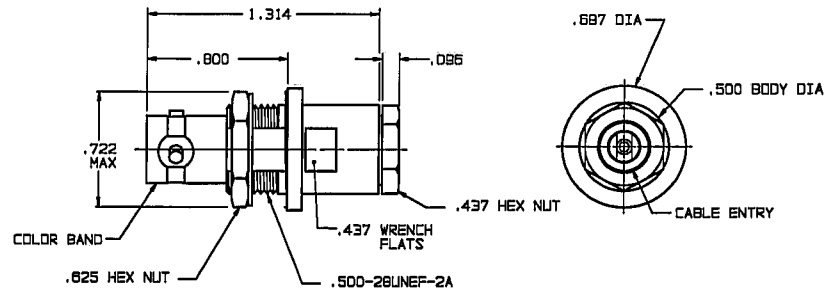


FIG 1



INCH	MM
.005	0.13
.096	2.44
.125	3.18
.132	3.35
.145	3.68
.180	4.06
.184	4.17
.193	4.65
.191	4.85
.198	5.03
.207	5.09
.217	5.51
.218	5.54
.221	5.61
.235	5.97
.250	6.35
.274	6.98
.285	7.24
.300	7.62
.437	11.10
.500	12.70
.505	12.69
.510	12.95
.625	15.88
.687	17.45
.722	18.34
.800	20.32
1.314	33.38
1.846	46.89

MILITARY PART NO (PIN)	MILITARY CABLE PART NO	TROMPETER PART NO (REF ONLY)
M49142/05-0001	M17/134-00001	M3-001B-7
M49142/05-0101	M17/134-00001	M3-001BY-7
M49142/05-0201	M17/134-00001	M3-001BS-7
M49142/05-0002	M17/134-00002	M3-001B-7
M49142/05-0102	M17/134-00002	M3-001BY-7
M49142/05-0202	M17/134-00002	M3-001BS-7
M49142/05-0007	M17/45-RG108	M3-001B-9
M49142/05-0107	M17/45-RG108	M3-001BY-9
M49142/05-0207	M17/45-RG108	M3-001BS-9
M49142/05-0008	M17/176-00002	M3-001B-47
M49142/05-0108	M17/176-00002	M3-001BY-47
M49142/05-0208	M17/176-00002	M3-001BS-47
M49142/05-0009	M17/177-00001	M3-001B-60
M49142/05-0109	M17/177-00001	M3-001BY-60
M49142/05-0209	M17/177-00001	M3-001BS-60

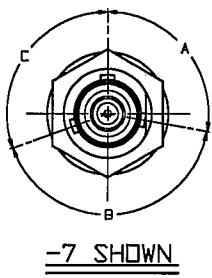
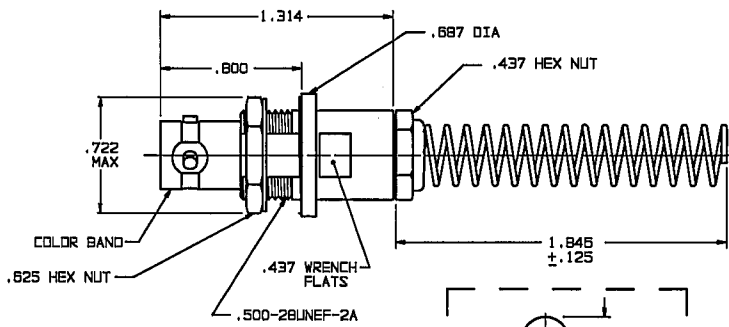
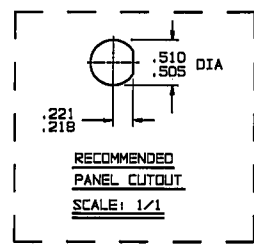


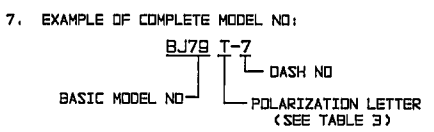
FIG 2



DASH NO	DIA	DASH NO	DIA
-7	.274	-33	.217
-9	.285	-42	.300
-23	.183	-43	.200
-24	.191	-45	.183
-24A	.200	-47	.164
-25	.265	-49	.132
-25A	.285	-55	.250
-26	.183	-56	
-27	.145	-57	.181
-28	.191	-58	
-30	.235	-59	.198
-32	.191	-60	.217



- ⚠ WHEN CONNECTOR IS SUPPLIED TO MILITARY PART NO (SEE TABLE 2):
- a) ALL PARTS NORMALLY PLATED TFS-1A OR TFS-1U (NICKEL) ARE TO BE PLATED TFS-1M (SILVER)
 - b) MARK PART WITH MILITARY PIN (SEE TABLE 2) AND "14949"
 - c) QUALITY CONFORMANCE INSPECTION SHALL BE PER MIL-C-49142 SECTION 4.5
- ⚠ IF BEND RELIEF SPRING REQD ADD SUFFIX "BR" TO MODEL NO (SEE FIG 2)
4. CONCENTRIC TWINAX/TRIAX TRB BULKHEAD MOUNT CABLE RECEPTACLE
 3. MAX PANEL THK .160
 2. FINISH: TFS-1A (NICKEL) ⚠
 1. ALL DIM ARE IN INCHES



QTY	DESCRIPTION	PART NUMBER	ITEM
305-0522	TOL UNLESS SPECIFIED	TROMPETER ELECTRONICS, INC.	BJ79/TWINAX/XYZS/BR
305-0521	.XXX ± .005		
305-0458	.XXXXX ANGLE		
305-0404	DWN AAH 1-13-86		
305-0575	305-0382	CHK <i>Bm</i> 1-18-92	MATERIAL CODE IDENT
305-0534	205-0030	ENGR	14949
210-0003	NEXT ASSY	APPR <i>FOL</i> 1/19/96	DRAWING NO. 3-0018
		SCALE 2/1	REV AJ
		DATE 4/13/87	SHEET 1 OF 2