

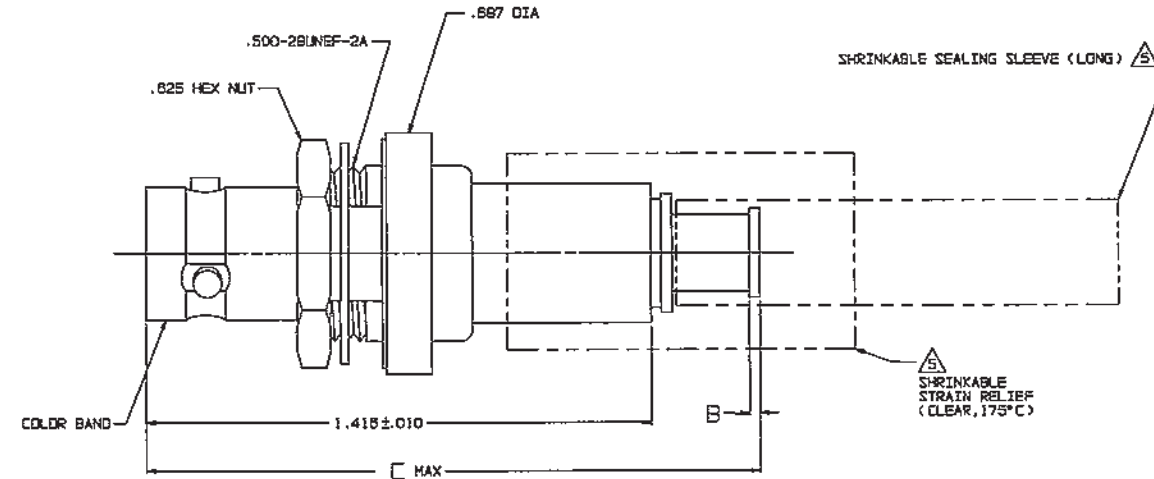
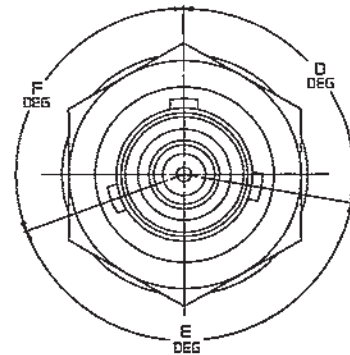
# RED INDICATES ORIGINAL

DWG SIZE	DATA CONTAINED IN THIS DOCUMENT IS PROPRIETARY TO TROMPETER ELECTRONICS, INC. AND SHALL NOT BE DISCLOSED, COPIED OR USED FOR REPRODUCTION OR MANUFACTURE WITHOUT EXPRESS WRITTEN PERMISSION.	REVISIONS			3-0205	SH 1
		REV	ECO	DESCRIPTION	DWN	APPROVED
D		W	12084	-306 TAI-218 WAS TAI-189; ADDED -308 & -309; SEE ECO	DKC	WJm/ka 8/26/99

DASH NO	CABLES ACCOMMODATED	A HEX	B DIM	C MAX	ASSEMBLE PER
-201	M17/176-00002				
-202	TWC-78-1				
-203	TWC-124-1A				
-204	10602, RAYCHEM				
-205	TWC-78-1F2				
-206	782600130, RAYCHEM			1.80	TAI-165
-207	83310, BELDEN				
-208	202-3927, MICRODOT				
-209	202-3942, MICRODOT				
-210	8451, BELDEN				
-211	202-3934, MICRODOT				
-212	2524E0114, RAYCHEM				
-213	TWC-78-2			1.55	TAI-138
-214	TWC-124-2				
-215	BL982, TIMES				
-216	BL 1242, TIMES				
-217	GC875TH24H, GRUMMAN				
-218	EQP221888, RAYCHEM				
-219	252601114, RAYCHEM	.344	.030		
-220	GC875RR1, GRUMMAN			1.80	TAI-165
-221	110814, RAYCHEM				
-222	110813, RAYCHEM				
-223	HMS2-1149, HUGHES				
-224	TWCP-124-3			1.55	TAI-138
-225	PS865PL, PRIME STOCK				
-301	GC875GC1, GRUMMAN				
-302	GC875GB1, GRUMMAN				
-303	7528A5314, RAYCHEM				TAI-169
-304					
-305	M17/177-00001 THERMATICS			1.60	
-306	TRC-50-2 M17/134-00002				TAI-218
-307	TRC-75-1				TAI-189
-308	TRC-75-2				TAI-218
-309	TRC-50-1				TAI-169

KEYING LETTER	D DEGREES	E DEGREES	F DEGREES	COLOR BAND
T	100°	150°	110°	RED
U	120°	130°	110°	ORANGE
V	115°	130°	115°	YELLOW
W	125°	110°	125°	GREEN
X	130°	100°	130°	BLUE
Y	110°	140°	110°	VIOLET
Z	100°	160°	100°	GRAY
S	135°	135°	90°	WHITE
NONE	120°	120°	120°	NONE

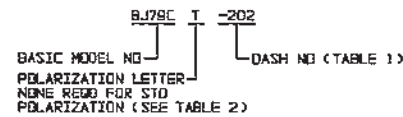
INCH	MM
.005	0.13
.010	0.25
.030	0.76
.109	2.77
.218	5.54
.221	5.61
.344	8.74
.505	12.63
.510	12.95
.525	13.30
.687	17.45
1.00	25.40
1.25	31.75
1.416	35.97
1.55	39.37
1.75	44.45
1.80	45.72



-202 SHOWN

7. FOR TOOL CRIMP CONNECTOR QUALIFIED TO MIL-C-49142, SEE DRAWING 3-0205 (BJ78MC)

6. EXAMPLE OF COMPLETE MODEL NO.



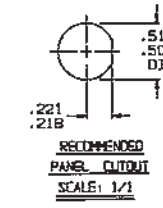
- 1 SHRINKABLE STRAIN RELIEF AND/OR SHRINKABLE SEALING SLEEVE SUPPLIED LOOSE AS FOLLOWS:
- CABLE GROUPS -201 THROUGH -210, -217 THROUGH -223, -301, -303, -305, -307 & -309  
1 SHRINKABLE STRAIN RELIEF (1.00 LONG)  
1 SHRINKABLE SEALING SLEEVE (1.25 LONG)
  - CABLE GROUPS -211 THROUGH -216 AND -308 & -308  
1 SHRINKABLE STRAIN RELIEF (1.75 LONG)

4. MAX PANEL THK .109

3. 3-LUG CONCENTRIC TWINAX/TRIAX TRG, FULL CRIMP CABLE RECEPTACLE

2. FINISH: TFS-1A (NICKEL)

1. ALL DIMENSIONS ARE IN INCHES



QTY	DESCRIPTION	PART NUMBER	ITEM
UNLESS SPECIFIED	TROMPETER RF connectivity	BJ79C	
XX 2	XXX 2 .005		
XXX 2			
ANALYSIS			
DWN	DKC	8-1-97	MATERIAL CODE IDENT
CHK	WJm	8-1-97	14949
ENGR			
APPR			
NEXT ASSY			

SCALE 4/1 DATE 11-11-95 SHEET 1 OF 2