

RED INDICATES ORIGINAL

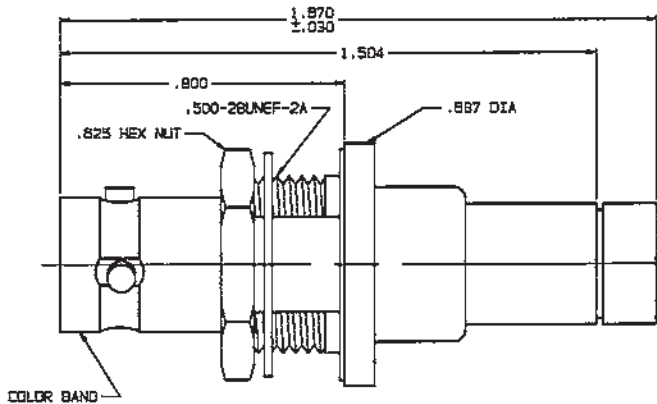
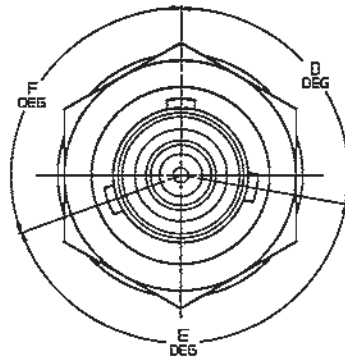
DWG SIZE C	REVISIONS			3-0295	SH 1	
	REV	ED	DESCRIPTION	OWN	APPROVED	DATE
	A		PRODUCTION RELEASE	TCS		

DASH NO	CABLES ACCOMMODATED	ASSEMBLE PER
-201	M17/176-00002	TAI-206
-202	TWC-78-1	
-203	TWC-124-1A	
-204	10802, RAYCHEM	
-205	TWAC-78-1F2	
-206	782600130, RAYCHEM	
-207	83310, BELDEN	
-208	202-3927, MICRODOT	
-209	202-3942, MILRIBBOT	
-210	8451, BELDEN	
-211	202-3934, MICRODOT	
-212	2524E0114, RAYCHEM	
-213	TWC-78-2	
-214	TWC-124-2	
-215	BL982, TIMES	
-216	BL1242, TIMES	
-217	GC875TM24H, GRUMMAN	
-218	EOP22188B, RAYCHEM	
-219	252601114, RAYCHEM	
-220	GC875RR1, GRUMMAN	
-221	10814, RAYCHEM	
-222	10813, RAYCHEM	
-223	NMS2-1149, HUGHES	
-224	TWCP-124-3	
-225	PSS65PL, PRIME STOCK	

MILITARY PART NO (PIN)	MILITARY CABLE PART NO	TROMPETER PART NO (REF DLY)
M49142/05-0018	M17/45-RG108	MBJ79MCC-213
M49142/05-0118	M17/45-RG108	MBJ79MCCY-213
M49142/05-0218	M17/45-RG108	MBJ79MCS-213
M49142/05-0017	M17/176-00002	MBJ79MCC-201
M49142/05-0117	M17/176-00002	MBJ79MCCY-201
M49142/05-0217	M17/176-00002	MBJ79MCS-201

KEY LETTER	D	E	F	COLOR BAND
	DEGREES	DEGREES	DEGREES	
NONE	120°	120°	120°	NONE
T	100°	150°	110°	RED
U	120°	130°	110°	ORANGE
V	115°	130°	115°	YELLOW
W	125°	110°	125°	GREEN
X	130°	100°	130°	BLUE
Y	110°	140°	110°	VIOLET
Z	100°	160°	100°	GRAY
S	135°	135°	90°	WHITE

INCH	MM
.005	0.13
.030	0.76
.109	2.77
.218	5.54
.221	5.61
.296	7.52
.505	12.83
.510	12.95
.625	15.88
.687	17.45
.800	20.32
1.504	38.20
1.679	42.42

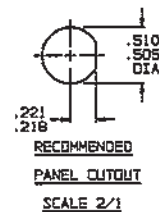


- ⚠** WHEN CONNECTOR IS SUPPLIED TO MILITARY PART NO (SEE TABLE 2):
- a) ALL PARTS NORMALLY PLATED TFS-1A OR TFS-1U (NICKEL) ARE TO BE PLATED TFS-1M (SILVER)
 - b) MARK PART WITH MILITARY PIN (SEE TABLE 2) AND "14949"
 - c) QUALITY CONFORMANCE INSPECTION SHALL BE PER MIL-C-48142 SECTION 4.5

5. EXAMPLE OF COMPLETE MODEL NO:



4. MAX PANEL THK .108
3. CONCENTRIC TWINAX 3-LUG TRB, MILITARY FULL CRIMP CABLE RECEPTACLE
2. FINISH: TFS-1A (NICKEL) **⚠**
1. ALL DIMENSIONS ARE IN INCHES



QTY	DESCRIPTION	PART NUMBER	ITEM
TOL UNLESS SPECIFIED X1 X100 ±.005 X1000 ANGLES	TROMPETER RF connectivity	BJ79MC TAW/ WAW/LS	
OWN YES	12/4/85	MATERIAL 14949	CODE 108T
CHK Ben	WAW/LS	DRAWING NO. 3-0295	REV A
ENGR		SCALE 4/1	DATE 12/15/85
APPR		NEXT ASSY	SHEET 1C