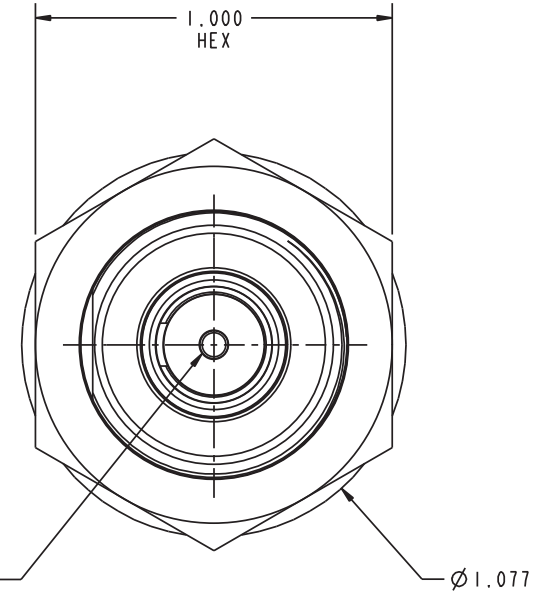
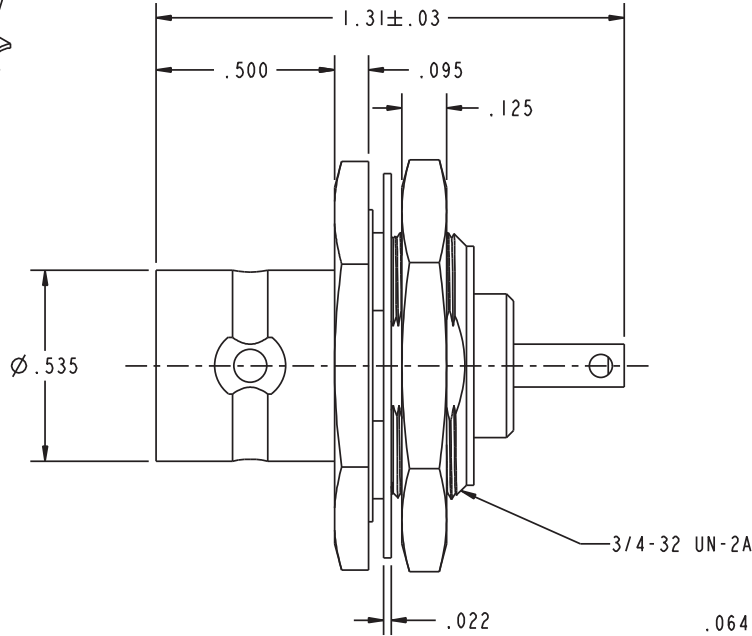
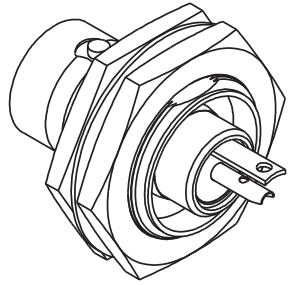
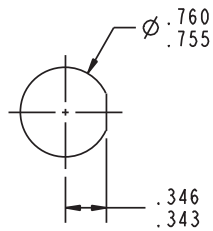


DATA CONTAINED IN THIS DOCUMENT IS PROPRIETARY TO EMERSON CONNECTIVITY SOLUTIONS AND SHALL NOT BE DISCLOSED, COPIED OR USED FOR PROCUREMENT OR MANUFACTURE WITHOUT EXPRESS WRITTEN PERMISSION

REVISIONS			
REV	DESCRIPTIONS	DATE	APPROVED
L	ECO 53348	6/14/11	CSM



SOLDER POT ACCEPTS .064 DIAMETER CONDUCTOR



RECOMMENDED PANEL CUTOUT

3. PIN CONTACT CONCENTRIC TWINAX/ TRIAX TRC SERIES ("C" SIZE) SOLDER POT BULKHEAD MOUNT RECEPTACLE
2. MAX PANEL THICKNESS .156
1. FINISH: TFS-1A (NICKEL)

NOTES: UNLESS OTHERWISE SPECIFIED.

<small>INTERPRET DRAWING PER MIL-STD-100 DIMENSIONS ARE IN INCHES AND INCLUDE FINISH THICKNESS UNLESS OTHERWISE SPECIFIED.</small>		<small>TOL: UNLESS SPECIFIED, .125 ± .02 .125 ± .010 .125 ± .0010 ANGLE ± 1° 90° CRITICAL</small>		Connectivity Solutions 299 Johnson Ave. Ste. 100 Roseco, MN 56093 1-800-247-6256	
DATE	6/14/11	MATERIAL:	TITLE: BJ80		
CHK	CSM 6/15/11	QUALITY:	SIZE: B		
BLANK LENGTH (REF. ONLY)	N/A	FINISH:	CAGE CODE: 14949	DRAWING NO.: 1-0402	REV.: L
APPROVED	N/A	DO NOT SCALE DWG	SCALE: 3/1	DATE: 6/14/11	SHEET: 1 OF 2
SURFACE AREA	PROVE FILE NO. 1-0402				