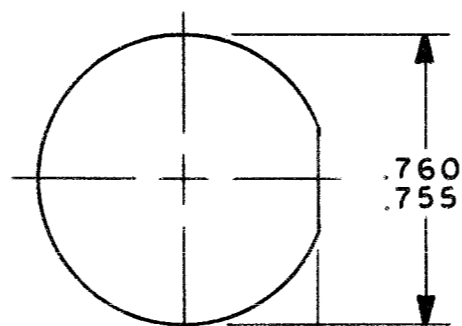
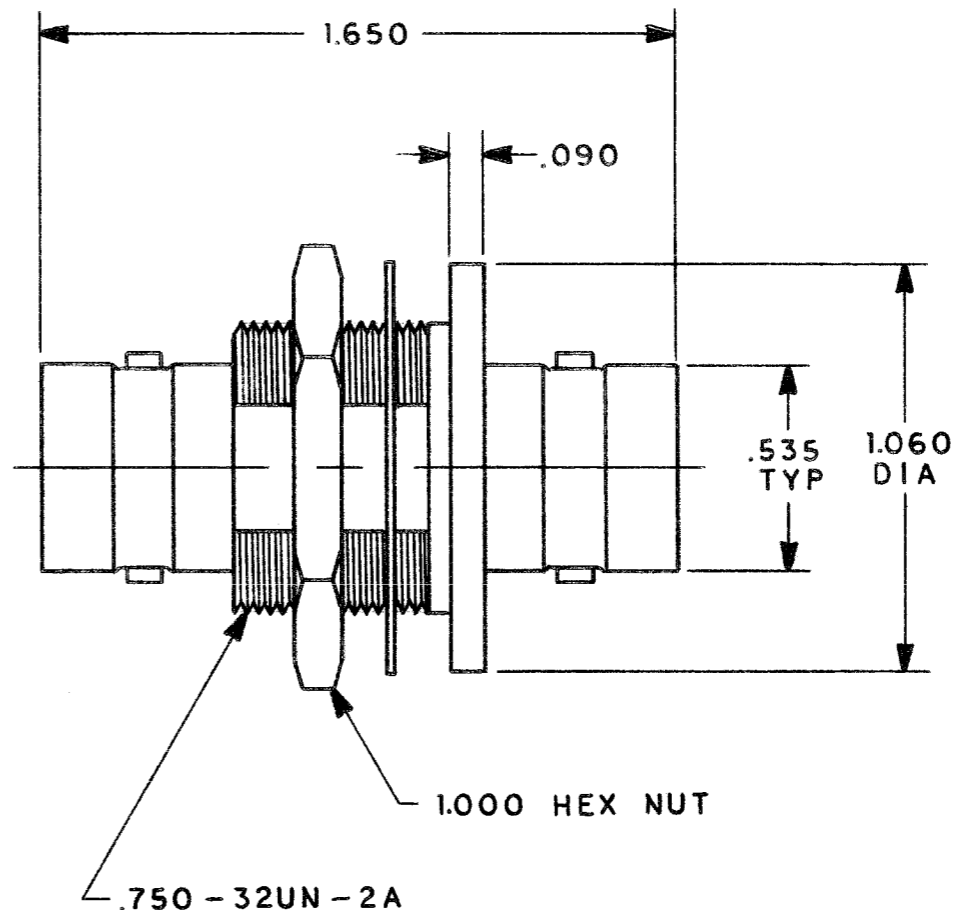
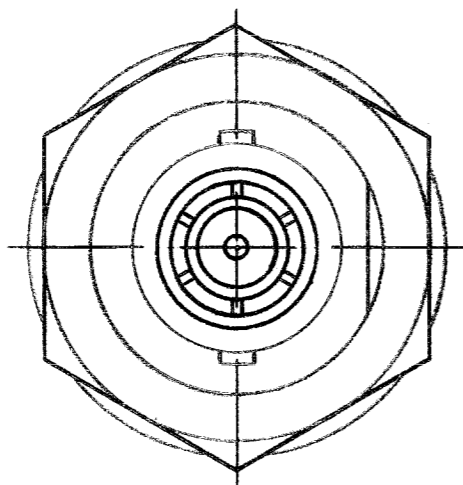


DATA CONTAINED IN THIS DOCUMENT IS PROPRIETARY TO TROMPETER ELECTRONICS INC. AND SHALL NOT BE DISCLOSED, COPIED OR USED FOR PROCUREMENT OR MANUFACTURE WITHOUT EXPRESS WRITTEN PERMISSION.

REVISIONS			3005-0460		SH 1
REV	EO	DESCRIPTION	DWN	APPROVED	DATE

INCH	MM
.005	0.13
.090	2.29
.343	8.71
.346	8.79
.350	8.89
.535	13.59
.750	19.05
.755	19.18
.760	19.30
1.000	25.40
1.060	26.92
1.650	41.91



RECOMMENDED PANEL CUTOUT
SCALE: 2/1

4. CONCENTRIC TWINAX/TRIAX TRC TYPE NONINSULATED BULKHEAD MOUNT FEEDTHRU JACK
3. MAX PANEL THK .350
2. FINISH: TFS-1A (NICKEL)
1. ALL DIM ARE IN INCHES

QTY	DESCRIPTION	PART NUMBER	ITEM
TOL UNLESS SPECIFIED .XX ± .XXX ± .005 .XXXX ± ANGLES ±		TROMPETER ELECTRONICS, INC.	
DWN	RAG 4/9/86	MATERIAL	CODE IDENT
CHK	F3 9-10-86	—	14949
ENGR	RAG 9-25-86	DRAWING NO.	REV
APPR	9-26-86	3005-0460	
NEXT ASSY	SCALE 2/1	DATE 9-29-86	SHEET 1 OF 2