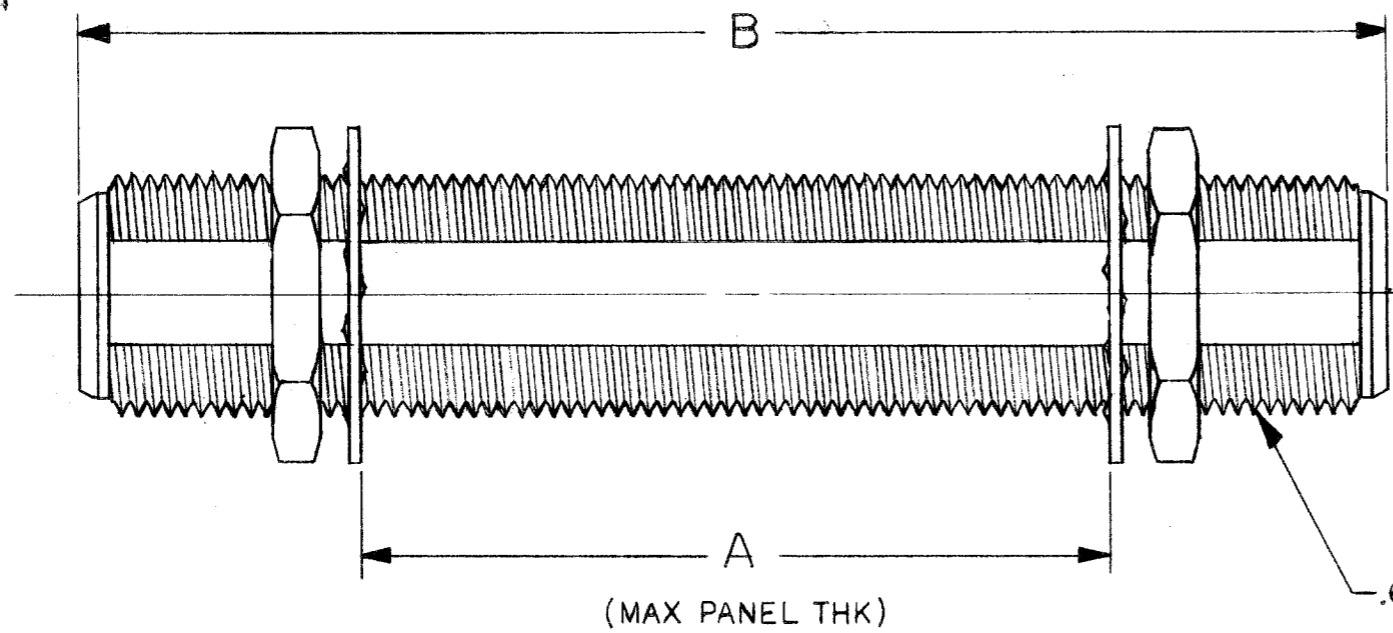
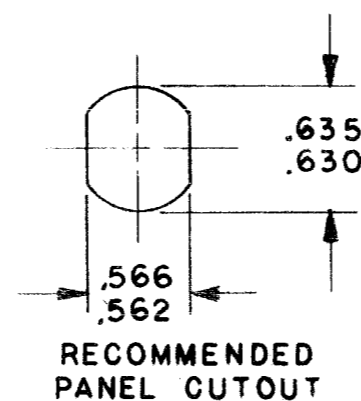
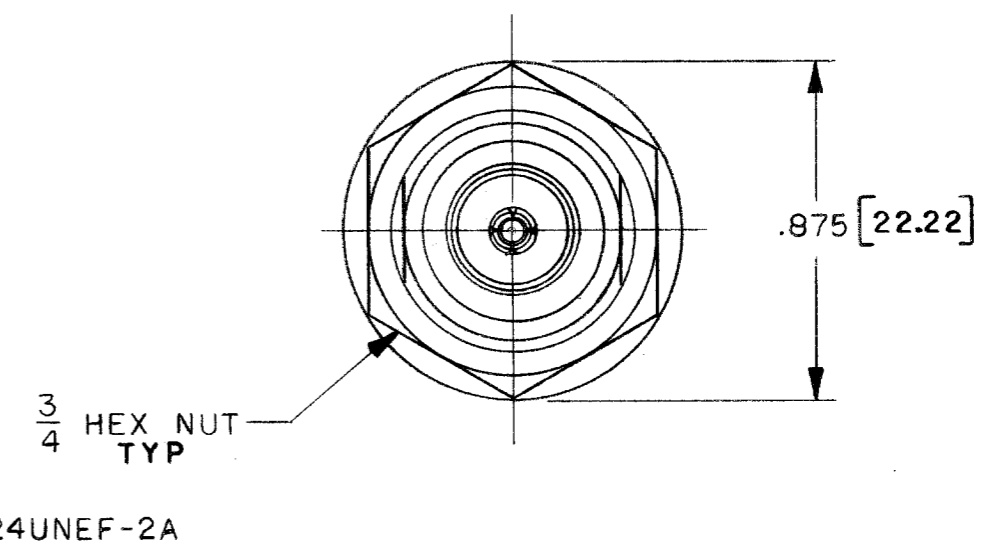


DASH NO	A DIM	B DIM	DASH NO	A DIM	B DIM
- 1			- 6	1.50	2.75
- U1	.25	1.50	- U6	1.50	2.75
- 2			- 7	1.75	3.00
- U2	.50	1.75	- U7	1.75	3.00
- 3			- 8	2.00	3.25
- U3	.75	2.00	- U8	2.00	3.25
- 4			- 9	2.25	3.50
- U4	1.00	2.25	- U9	2.25	3.50
- 5					
- U5	1.25	2.50			

INCH	MM
.25	6.35
.50	12.70
.562	14.27
.566	14.38
.630	16.00
.635	16.13
.75	19.05
1.00	25.40
1.25	31.75
1.50	38.10
1.75	44.45
2.00	50.80
2.25	57.15
2.50	63.50
2.75	69.85
3.00	76.20
3.25	82.55
3.50	88.90



REVISIONS			1000-0416		SH 1
REV	EO	DESCRIPTION	DWN	APPROVED	DATE
A	2708	REV PER EO, -9 WAS BASIC	CU	<i>[Signature]</i>	12-6-74
B	2942	REV ITEMS 5 & 6	MCW	<i>[Signature]</i>	7-21-75
C	4548	ADDED 75 OHM VERSION	CSB	<i>[Signature]</i>	6-13-79



.625-24UNEF-2A

4. "U" PREFIX DENOTES 75 OHM VERSION
3. FEMALE TYPE N COAXIAL BULKHEAD
FEED THRU JACK BOTH 50 & 75 OHM VERSIONS
2. FINISH: NICKEL (TFS-1A)
1. ALL DIM ARE REF IN INCHES [MM]

QTY	DESCRIPTION	PART NUMBER	ITEM
	TOL UNLESS SPECIFIED .XX ± .XXX ± .XXXX ± ANGLES ±	TROMPETER ELECTRONICS, INC.	
	DWN JKR 10-1-73 CHK <i>[Signature]</i> 10-16-73 ENGR <i>[Signature]</i> 10-17-73 APPR <i>[Signature]</i> 10/18/73	MATERIAL — CODE IDENT 14949	DRAWING NO. 1000-0416 REV C
NEXT ASSY	SCALE NONE	DATE 10-18-73	SHEET 1 OF 2