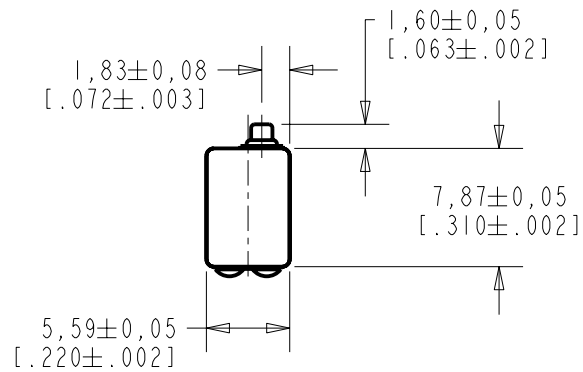
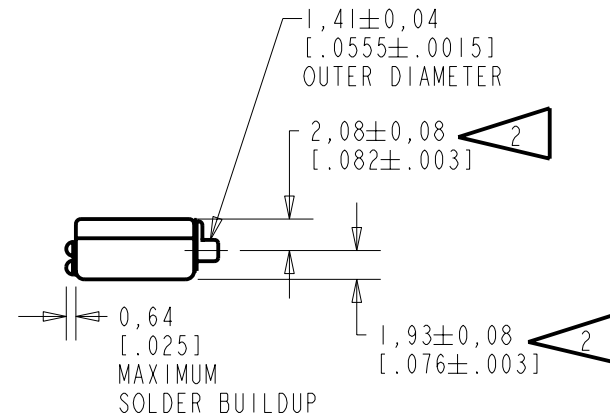
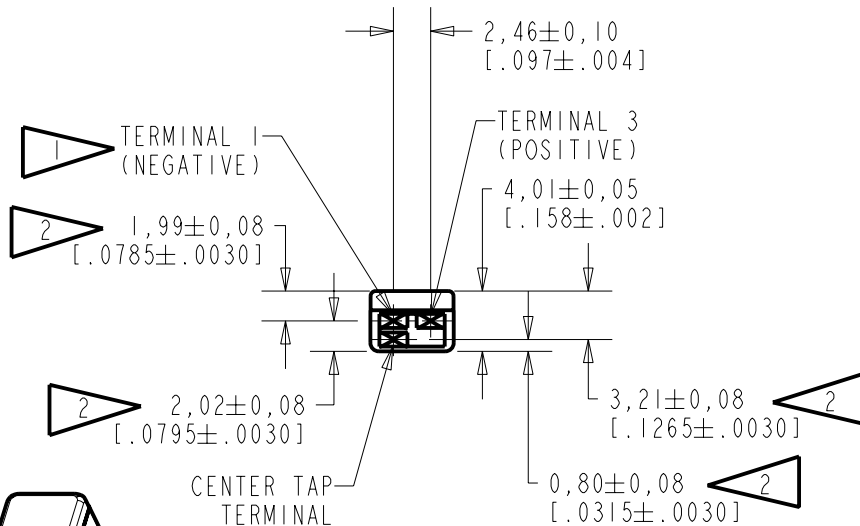


**BK-21613-000**  
SHT 1.1



NOTES:

- 1 A POSITIVE GOING VOLTAGE AT TERMINAL 3, RELATIVE TO TERMINAL 1, CAUSES A DECREASE IN PRESSURE AT THE SOUND OUTLET.
- 2 LOCATED FROM TWO SURFACES FOR CUSTOMER CONVENIENCE. ONLY APPLICABLE FROM ONE SURFACE, NOT TO BE USED TOGETHER. HORIZONTAL LOCATION FOR TERMINAL CENTERED TO  $\pm 0,17$  [.007].



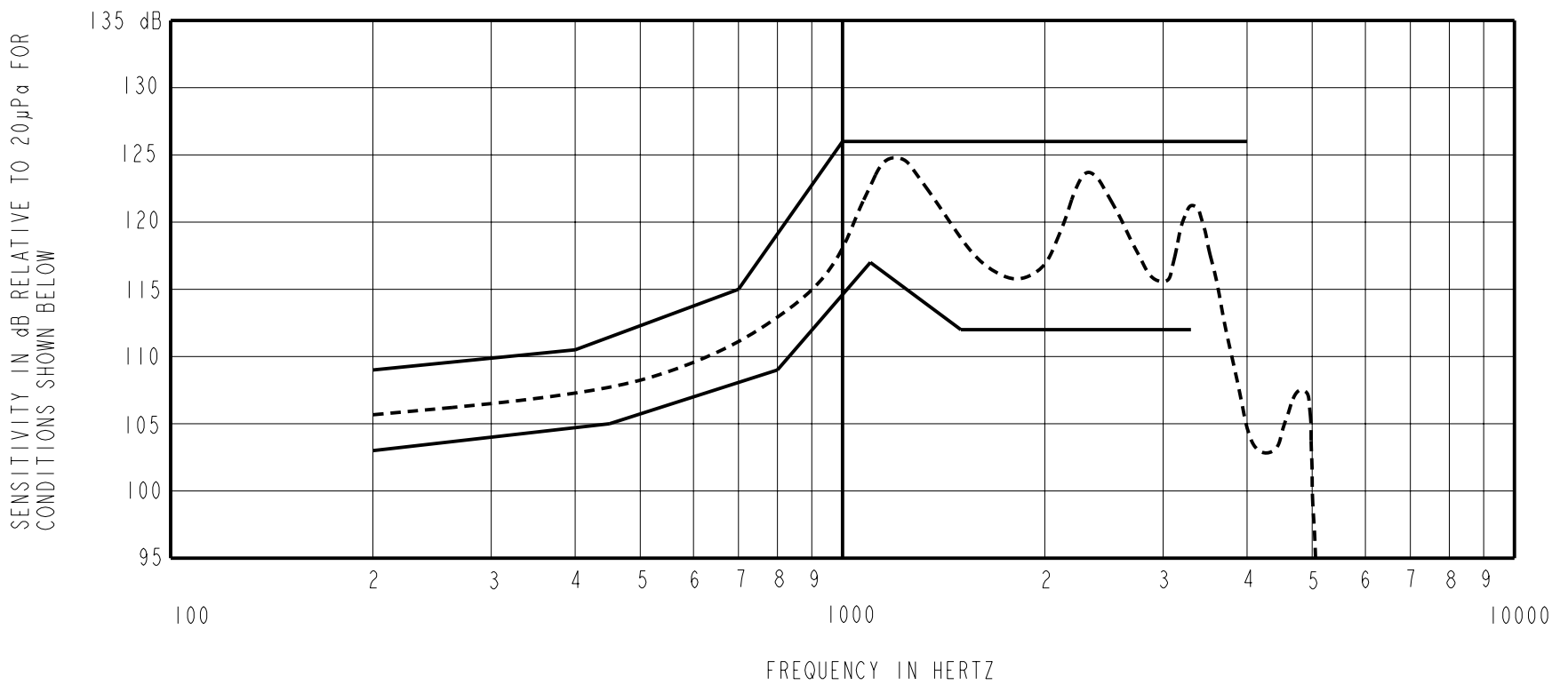
NOMINAL WEIGHT  
.66 GRAM

DIMENSIONS IN MILLIMETERS [INCHES]

| Revision | C.O. #    | Implementation Date | RELEASE LEVEL | REVISION |
|----------|-----------|---------------------|---------------|----------|
| B        | C10106382 | 8-23-07             | Released      | B        |
| A        | C10103302 | 10-20-05            |               |          |

|                      |          |              |         |          |
|----------------------|----------|--------------|---------|----------|
| SCALE:               | 2:1      |              | DR. BY  | DATE     |
| DO NOT SCALE DRAWING |          |              | MMM     | 10-20-05 |
| TITLE:               | RECEIVER | BK-21613-000 | GJP     | 10-21-05 |
| OUTLINE DRAWING      |          | SHT 1.1      | APP. BY | DATE     |
|                      |          |              | GJP     | 10-21-05 |

**KNOWLES ELECTRONICS**  
ITASCA, ILLINOIS U.S.A.



NOTES:

1. MEASUREMENTS MADE USING 27,9mm (1.100") X 1,4mm (.053") ID+10,2mm(.400")x 1,8mm(.070") ID + 23,1mm(.201") x 3,0mm(.118") ID TUBE CONNECTED TO 2CC COUPLER (TI278 AND B & K DB0138)

2. SENSITIVITY

| FREQUENCY | MIN.  | MAX.  |
|-----------|-------|-------|
| 200       | 103.0 | 109.0 |
| 400       | ---   | 110.5 |
| 450       | 105.0 | ---   |
| 700       | ---   | 115.0 |
| 800       | 109.0 | ---   |
| 1000      | ---   | 126.0 |
| 1100      | 117.0 | ---   |
| 1500      | 112.0 | 126.0 |
| 3300      | 112.0 | ---   |
| 4000      | ---   | 126.0 |

- RESPONSE, IMPEDANCE, AND DISTORTION MEASUREMENTS MADE USING THE ELECTRICAL TEST CONDITIONS SHOWN BELOW.
- ELECTRICAL SOURCE IMPEDANCE MUST BE GREATER THAN 20 TIMES 1KHz IMPEDANCE FOR TEST CONDITIONS BELOW.
- INDIVIDUAL SPECIFICATIONS.

| PORT LOCATION | IMPEDANCE OHMS ±15% |       | DCR @20°C OHMS ±10% | DISTORTION |         | ELECTRICAL TEST CONDITIONS |       |
|---------------|---------------------|-------|---------------------|------------|---------|----------------------------|-------|
|               | 1KHz                | 500Hz |                     | MAX. %     | FREQ Hz | AC mA RMS                  | DC mA |
| IS            | 1200                | 450   | 160                 | 10         | 500     | 0.78                       | 0.00  |

| Revision | C.O. #    | Implementation Date | RELEASE LEVEL | REVISION |
|----------|-----------|---------------------|---------------|----------|
| B        | C10106382 | 8-23-07             | Released      | B        |
| A        | C10103302 | 10-20-05            |               |          |

**KNOWLES ELECTRONICS**  
ITASCA, ILLINOIS U.S.A.

WHEN TEST LIMITS ARE USED TO ESTABLISH INCOMING INSPECTION ACCEPTANCE/REJECTION CRITERIA, CORRELATION OF TEST EQUIPMENT WITH KNOWLES IS ALSO REQUIRED FOR ELIMINATION OF EQUIPMENT AND TEST METHOD VARIATION

TITLE: **RECEIVER** **BK-21613-000**  
PERFORMANCE SPECIFICATION **SHT 2.1**

| DR. BY  | DATE     |
|---------|----------|
| MMM     | 10-20-05 |
| CK. BY  | DATE     |
| GJP     | 10-21-05 |
| APP. BY | DATE     |
| GJP     | 10-21-05 |