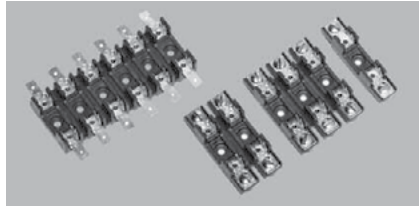


S-8000

1/4" x 1-1/4" Fuse blocks



Product features

- For 1/4" x 1-1/4" (6 x 32 mm) fuses
- High voltage rating (Up to 600 V)
- Bolt-in, snap-in and DIN-rail mounting available
- Compact, tight cluster mounting
- Multiple types of terminal options
- Clips are made of bright tin-plated, spring bronze
- Anti-rotational pin available
- Thermoplastic base meets UL94 V-0

Agency information

- UL Recognized: E14853
- CSA Certified: 47235



Environmental compliance



General specifications

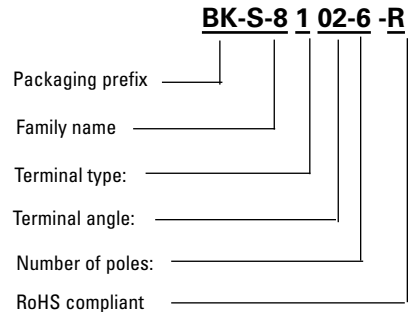
- Relative Temperature Index (RTI)
 - Bolt-in +130 °C
 - Snap-in +110 °C

Packaging prefix

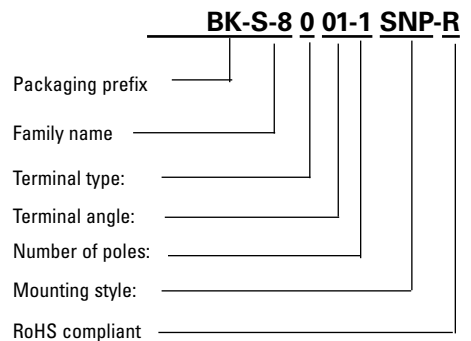
- Blank- (Qty varies with number of poles)
- BK- (QTY varies with number of poles)

Ordering part number

Bolt-in mounting



Snap-in and DIN-rail mounting



Terminal type: 0= solder
1= 3/16" quick connect
2= 1/4" quick connect
3= screw

Terminal angle: 01= straight
02= 40° angle
03= side*

Number of poles: (1 - 12)
1X= One pole, No mounting stud

Mounting style: SNP**= Snap-in mounting*
DIN**= DIN-rail mounting

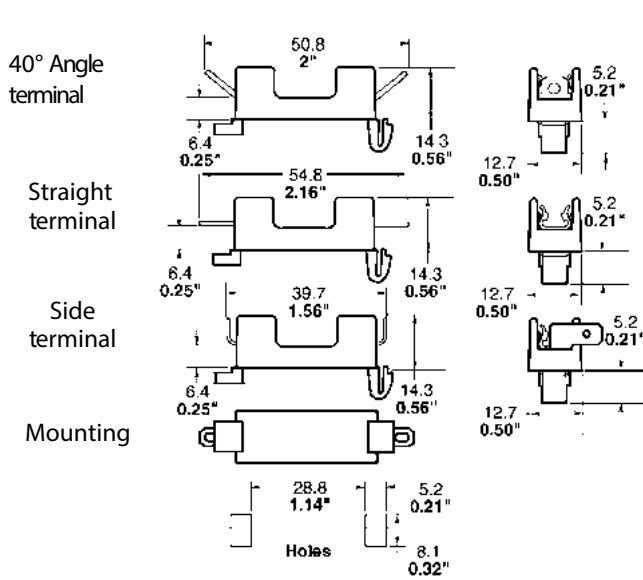
*Available only in single pole and 3/16" or 1/4" quick connect terminals
** Available in single pole only

Specifications

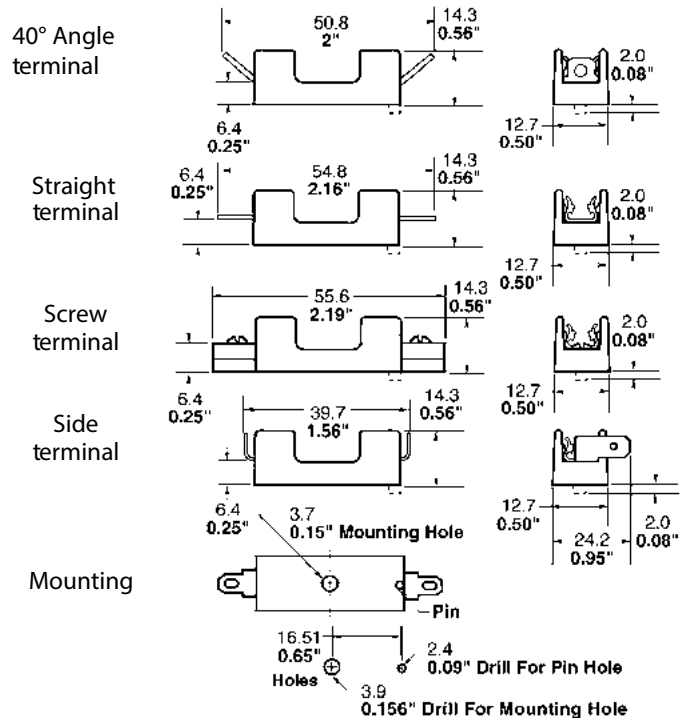
Family	UL voltage rating (V)	UL current rating (A)	CSA voltage rating (V)	CSA current rating (A)
S-8000	600	30	300	21
S-8100	600	20	300	13
S-8200	600	30	300	16
S-8300	600	30	300	25

Dimensions- mm/inches

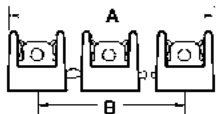
S-8000 Single pole snap-in mounting



S-8000 Single pole bolt-in mounting



Multiple pole



Mounting dimensions

Number of poles	A (inches)	B (inches)	A (mm)	B (mm)
1	-	-	-	-
2	1 1/8"	5/8"	28.6	15.9
3	1 3/4"	1 1/4"	44.4	31.8
4	2 3/8"	1 7/8"	60.3	47.6
5	3"	2 1/2"	76.2	63.5
6	3 5/8"	3 1/8"	92.1	79.4
7	4 1/4"	3 3/4"	108	95.2
8	4 7/8"	4 3/8"	123.8	111.1
9	5 1/2"	5"	139.7	127
10	6 1/8"	5 5/8"	155.6	142.9
11	6 3/4"	6 1/4"	171.4	158.8
12	7 3/8"	6 7/8"	187.3	174.6