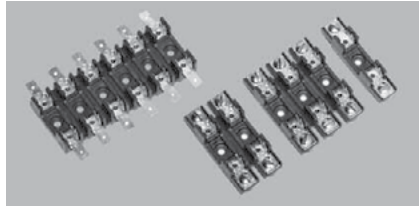


# S-8000

## 1/4" x 1-1/4" Fuse blocks



**Product features**

- For 1/4" x 1-1/4" (6 x 32 mm) fuses
- High voltage rating (Up to 600 V)
- Bolt-in, snap-in and DIN-rail mounting available
- Compact, tight cluster mounting
- Multiple types of terminal options
- Clips are made of bright tin-plated, spring bronze
- Anti-rotational pin available
- Thermoplastic base meets UL94 V-0

**Agency information**

- UL Recognized: E14853
- CSA Certified: 47235



**Environmental compliance**



**General specifications**

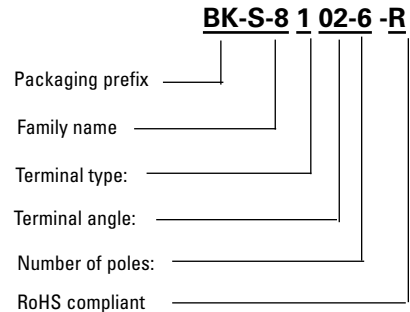
- Relative Temperature Index (RTI)
  - Bolt-in +130 °C
  - Snap-in +110 °C

**Packaging prefix**

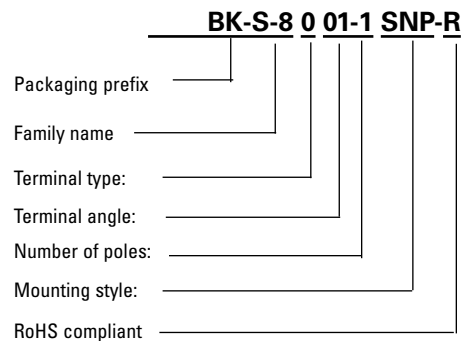
- Blank- (Qty varies with number of poles)
- BK- (QTY varies with number of poles)

**Ordering part number**

**Bolt-in mounting**



**Snap-in and DIN-rail mounting**



Terminal type: 0= solder  
1= 3/16" quick connect  
2= 1/4" quick connect  
3= screw

Terminal angle: 01= straight  
02= 40° angle  
03= side\*

Number of poles: (1 - 12)  
1X= One pole, No mounting stud

Mounting style: SNP\*\*= Snap-in mounting\*  
DIN\*\*= DIN-rail mounting

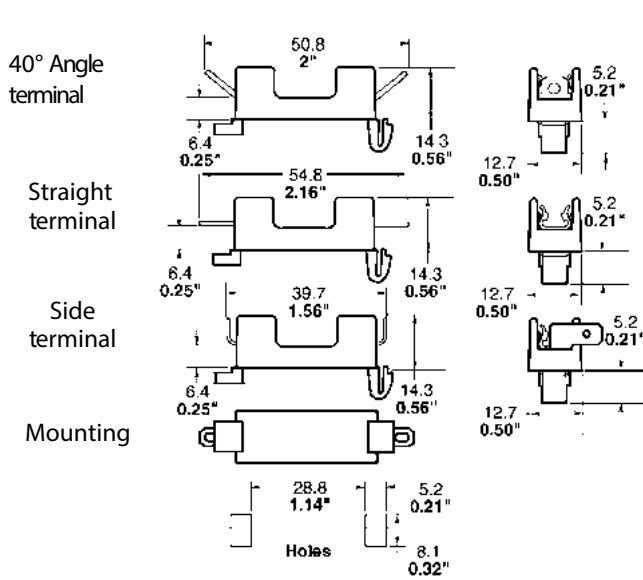
\*Available only in single pole and 3/16" or 1/4" quick connect terminals  
\*\* Available in single pole only

**Specifications**

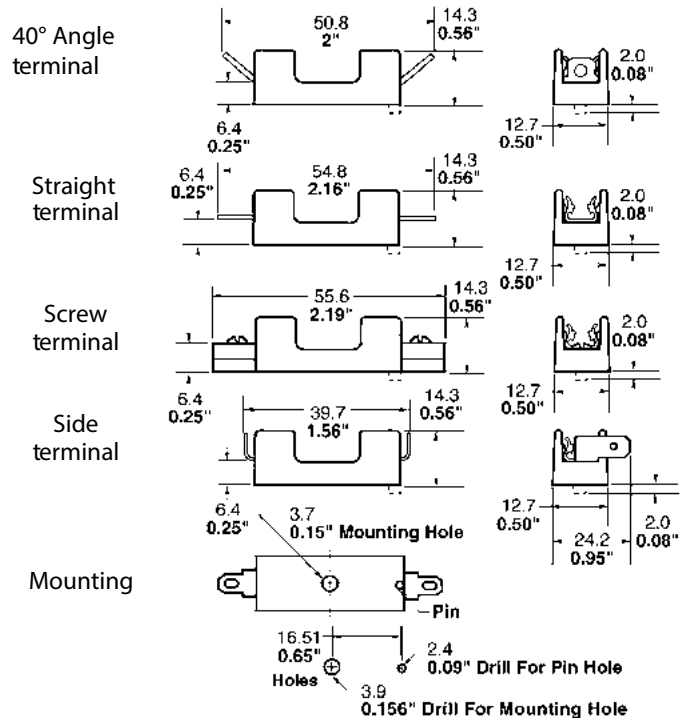
| Family | UL voltage rating (V) | UL current rating (A) | CSA voltage rating (V) | CSA current rating (A) |
|--------|-----------------------|-----------------------|------------------------|------------------------|
| S-8000 | 600                   | 30                    | 300                    | 21                     |
| S-8100 | 600                   | 20                    | 300                    | 13                     |
| S-8200 | 600                   | 30                    | 300                    | 16                     |
| S-8300 | 600                   | 30                    | 300                    | 25                     |

**Dimensions- mm/inches**

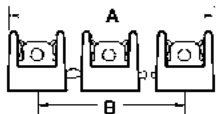
**S-8000 Single pole snap-in mounting**



**S-8000 Single pole bolt-in mounting**



**Multiple pole**



**Mounting dimensions**

| Number of poles | A (inches) | B (inches) | A (mm) | B (mm) |
|-----------------|------------|------------|--------|--------|
| 1               | -          | -          | -      | -      |
| 2               | 1 1/8"     | 5/8"       | 28.6   | 15.9   |
| 3               | 1 3/4"     | 1 1/4"     | 44.4   | 31.8   |
| 4               | 2 3/8"     | 1 7/8"     | 60.3   | 47.6   |
| 5               | 3"         | 2 1/2"     | 76.2   | 63.5   |
| 6               | 3 5/8"     | 3 1/8"     | 92.1   | 79.4   |
| 7               | 4 1/4"     | 3 3/4"     | 108    | 95.2   |
| 8               | 4 7/8"     | 4 3/8"     | 123.8  | 111.1  |
| 9               | 5 1/2"     | 5"         | 139.7  | 127    |
| 10              | 6 1/8"     | 5 5/8"     | 155.6  | 142.9  |
| 11              | 6 3/4"     | 6 1/4"     | 171.4  | 158.8  |
| 12              | 7 3/8"     | 6 7/8"     | 187.3  | 174.6  |