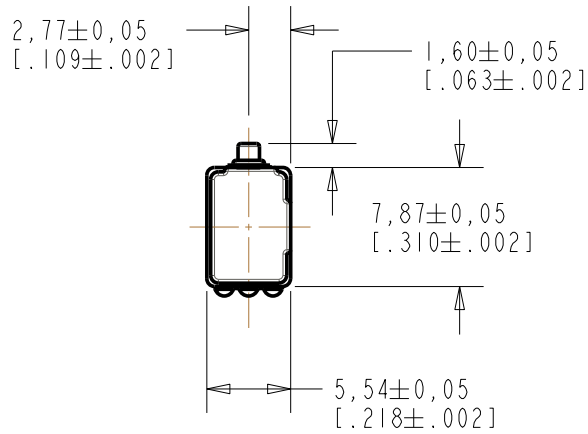
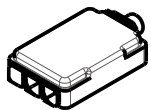
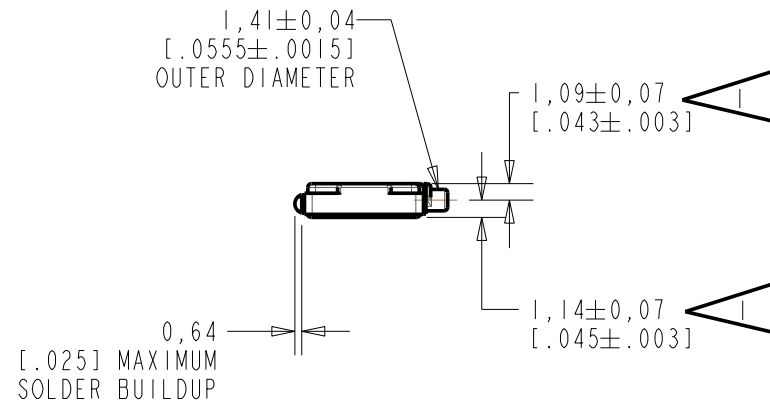
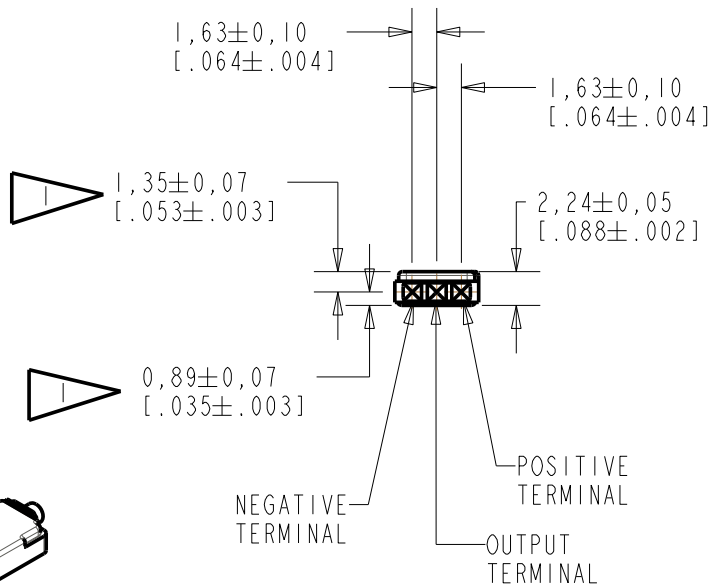


BL-21785-000
SHT 1.1



NOTES:
 1 LOCATED FROM TWO SURFACES FOR CUSTOMER CONVENIENCE. ONLY APPLICABLE FROM ONE SURFACE, NOT TO BE USED TOGETHER. HORIZONTAL LOCATION FOR TERMINAL CENTERED TO $\pm 0,17$ [.007].



NOMINAL WEIGHT
 .28 GRAMS

DIMENSIONS IN MILLIMETERS [INCHES]

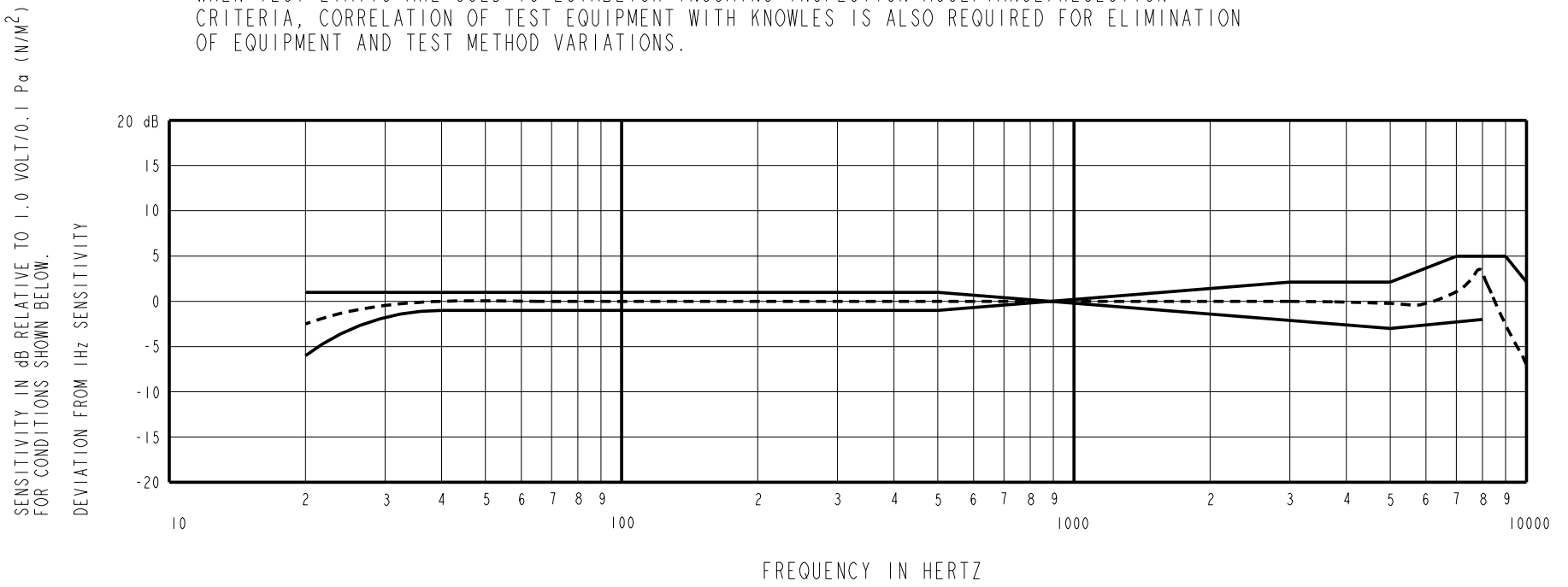
Revision	C.O. #	Implementation Date	RELEASE LEVEL	REVISION
C	C10108524	12-25-08	Active	C
B	M10101210	11-7-06		
A	M10101208	10-17-06		

SCALE:	2:1	DR. BY	DATE
DO NOT SCALE DRAWING		AB	10-17-06
TITLE:	MICROPHONE	GJP	11-6-06
	BL-21785-000	APP. BY	DATE
	OUTLINE DRAWING	GJP	11-6-06
	SHT 1.1		

KNOWLES ELECTRONICS
 ITASCA, ILLINOIS U.S.A.

NOTES:

WHEN TEST LIMITS ARE USED TO ESTABLISH INCOMING INSPECTION ACCEPTANCE/REJECTION CRITERIA, CORRELATION OF TEST EQUIPMENT WITH KNOWLES IS ALSO REQUIRED FOR ELIMINATION OF EQUIPMENT AND TEST METHOD VARIATIONS.



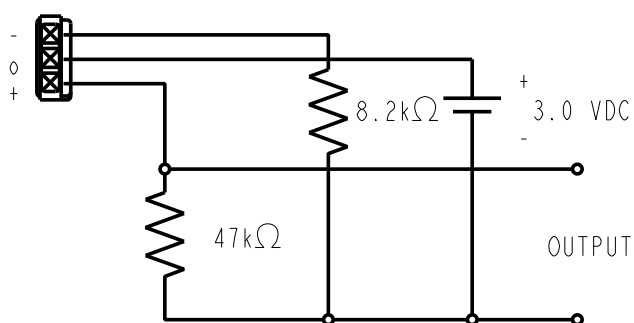
FREQUENCY	SENSITIVITY			DEVICE CONFORMITY	
	MIN.	NOM.	MAX.	RANGE OF DEVIATION FROM 3 kHz	
20	---	-71.5	---	-6.0	+1.0
25	---	-70.0	---	-2.5	---
31	---	-69.5	---	-1.5	---
40	---	-69.0	---	-1.0	---
500	---	-69.0	---	-1.0	+1.0
1000	-72.0	-69.0	-66.0	0.0	0.0
3000	---	-69.0	---	-2.0	+2.0
5000	---	-69.5	---	-3.0	+2.0
7000	---	-68.0	---	---	+5.0
8000	---	-67.5	---	-2.0	+5.0
9000	---	-73.0	---	---	+5.0
10000	---	-79.0	---	---	+2.0

NOTES:

1. CASE CONNECTED TO NEGATIVE TERMINAL.

PORT LOCATION	DC SUPPLY	BATTERY CURRENT DRAIN	"A" WEIGHTED NOISE (1 kHz EQUIV. SPL) IN 3 WIRE MODE	OUTPUT IMPEDANCE OHMS			V _L AT OUTPUT IN SOURCE FOLLOWER MODE	
				MIN.	NOM.	MAX.	MIN.	MAX.
12S	1.3 V	160 μA MAX.	34 dB MAX.	---	4000	---	0.9 VDC	1.9 VDC

TEST CONDITIONS



Revision	C.O. #	Implementation Date	RELEASE LEVEL	REVISION
C	C10108524	12-25-08	Active	C
B	M10101210	11-7-06		
A	M10101208	10-17-06		

WHEN TEST LIMITS ARE USED TO ESTABLISH INCOMING INSPECTION ACCEPTANCE/REJECTION CRITERIA, CORRELATION OF TEST EQUIPMENT WITH KNOWLES IS ALSO REQUIRED FOR ELIMINATION OF EQUIPMENT AND TEST METHOD VARIATION		DR. BY	DATE
		AB	10-17-06
		CK. BY	DATE
		GJP	11-6-06
		APP. BY	DATE
		GJP	11-6-06

TITLE:	MICROPHONE	BL-21785-000
	PERFORMANCE SPECIFICATION	SHT 2.1

KNOWLES ELECTRONICS
ITASCA, ILLINOIS U.S.A.