

Reference Only

Spec. No. JENF243A-9129E-01

P.1/9

Chip Ferrite Bead BLM18□□□□□(B/J)H1D Murata Standard Reference Specification [AEC-Q200]

1.Scope

This reference specification applies to Chip Ferrite Bead for Automotive Electronics BLM18_(B/J)H Series based on AEC-Q200.

2.Part Numbering

(ex.)

BL	M	18	AG	121	B	H	1	D
(1)	(2)	(3)	(4)	(5)	(6)	(7)	(8)	(9)

(1)Product ID
(4)Characteristics
(7)Category(for Automotive Electronics)
(2)Type
(5)Typical Impedance at 100MHz
(8)Numbers of Circuit
(3)Dimension (L×W)
(6)Dimension (T) (B:Standard J:Low profile)
(9)Packaging (D:Taping)

3.Rating

Customer Part Number	MURATA Part Number	Impedance (Ω) (at 100MHz) (refer to below comment)		Rated Current (mA)		DC Resistance (Ω max.) (refer to below comment)		ESD Rank 2:2kV
						Initial Values	Values After Testing	
		Typical	at 125°C	at 150°C				
	BLM18KG260JH1D	26±25%	26	4000 ^{*1}	10 ^{*1}	0.007	0.012	2
	BLM18KG300JH1D	30±25%	30	3300 ^{*1}	10 ^{*1}	0.010	0.015	
	BLM18KG700JH1D	70±25%	70	2200 ^{*1}	10 ^{*1}	0.022	0.032	
	BLM18KG101JH1D	100±25%	100	1900 ^{*1}	10 ^{*1}	0.030	0.040	
	BLM18KG121JH1D	120±25%	120	1900 ^{*1}	10 ^{*1}	0.030	0.040	
	BLM18KG221BH1D	220±25%	220	1500 ^{*1}	10 ^{*1}	0.050	0.060	
	BLM18KG331BH1D	330±25%	330	1200 ^{*1}	10 ^{*1}	0.080	0.095	
	BLM18KG471BH1D	470±25%	470	1000 ^{*1}	10 ^{*1}	0.130	0.145	
	BLM18KG601BH1D	600±25%	600	1000 ^{*1}	10 ^{*1}	0.150	0.165	
	BLM18KG102BH1D	1000±25%	1000	800 ^{*1}	10 ^{*1}	0.200	0.230	
	BLM18AG121BH1D	120±25%	120	800 ^{*1}	10 ^{*1}	0.18	0.28	
	BLM18AG151BH1D	150±25%	150	700 ^{*1}	10 ^{*1}	0.25	0.35	
	BLM18AG221BH1D	220±25%	220	700 ^{*1}	10 ^{*1}	0.25	0.35	
	BLM18AG331BH1D	330±25%	330	600 ^{*1}	10 ^{*1}	0.30	0.40	
	BLM18AG471BH1D	470±25%	470	550 ^{*1}	10 ^{*1}	0.35	0.45	
	BLM18AG601BH1D	600±25%	600	500 ^{*1}	10 ^{*1}	0.38	0.48	
	BLM18AG102BH1D	1000±25%	1000	450 ^{*1}	10 ^{*1}	0.50	0.60	
	BLM18BD470BH1D	47±25%	47	500 ^{*1}	10 ^{*1}	0.3	0.4	
	BLM18BD121BH1D	120±25%	120	300 ^{*1}	10 ^{*1}	0.4	0.5	
	BLM18BD151BH1D	150±25%	150	300 ^{*1}	10 ^{*1}	0.4	0.5	
	BLM18BD221BH1D	220±25%	220	250 ^{*1}	10 ^{*1}	0.45	0.55	
	BLM18BD331BH1D	330±25%	330	250 ^{*1}	10 ^{*1}	0.5	0.6	
	BLM18BD421BH1D	420±25%	420	250 ^{*1}	10 ^{*1}	0.55	0.65	
	BLM18BD471BH1D	470±25%	470	250 ^{*1}	10 ^{*1}	0.55	0.65	
	BLM18BD601BH1D	600±25%	600	200 ^{*1}	10 ^{*1}	0.65	0.75	
	BLM18BD102BH1D	1000±25%	1000	200 ^{*1}	10 ^{*1}	0.85	0.95	
	BLM18BD152BH1D	1500±25%	1500	150 ^{*1}	10 ^{*1}	1.2	1.3	
	BLM18BD182BH1D	1800±25%	1800	150 ^{*1}	10 ^{*1}	1.5	1.6	
	BLM18BD222BH1D	2200±25%	2200	150 ^{*1}	10 ^{*1}	1.5	1.6	
	BLM18BD252BH1D	2500±25%	2500	150 ^{*1}	10 ^{*1}	1.5	1.6	

• Operating Temperature : -55°C to +150°C

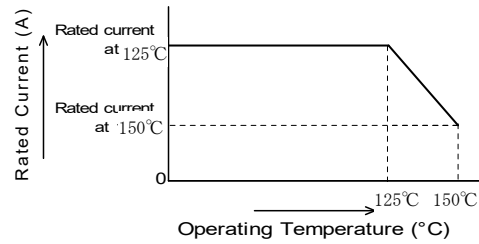
• Storage Temperature : -55°C to +150°C

Reference Only

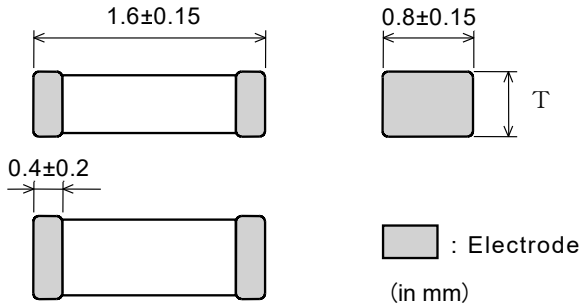
Spec. No. JENF243A-9129E-01

P.2/9

(* 1) Rated Current is derated as right figure depending on the operating temperature.



4.Style and Dimensions



■ Equivalent Circuit



(Resistance element becomes dominant at high frequencies.)

■ Unit Mass (Typical value)

BLM18_BH : 0.005g
BLM18_JH : 0.004g

P/N	T(mm)
BLM18_BH	0.8±0.15
BLM18_JH	0.6±0.15

5.Marking

No marking.

6.Standard Testing Conditions

< Unless otherwise specified >
Temperature : Ordinary Temp. (15 °C to 35 °C)
Humidity : Ordinary Humidity (25%(RH) to 85%(RH))

< In case of doubt >
Temperature : 20°C±2 °C
Humidity : 60%(RH) to 70%(RH)
Atmospheric pressure : 86kPa to 106kPa

7.Specifications

7-1.Electrical Performance

No.	Item	Specification	Test Method
7-1-1	Impedance	Meet item 3.	Measuring Frequency : 100MHz±1MHz Measuring Equipment : KEYSIGHT 4991A or the equivalent Test Fixture : KEYSIGHT 16192A or the equivalent
7-1-2	DC Resistance	Meet item 3.	Measuring Equipment : Digital multi meter * Except resistance of the Substrate and Wire

Reference Only

Spec. No. JENF243A-9129E-01

P.3/9

**7-2. Mechanical Performance(based on Table 13 for FILTER EMI SUPPRESSORS/FILTERS)
AEC-Q200 Rev.D issued June. 1 2010**

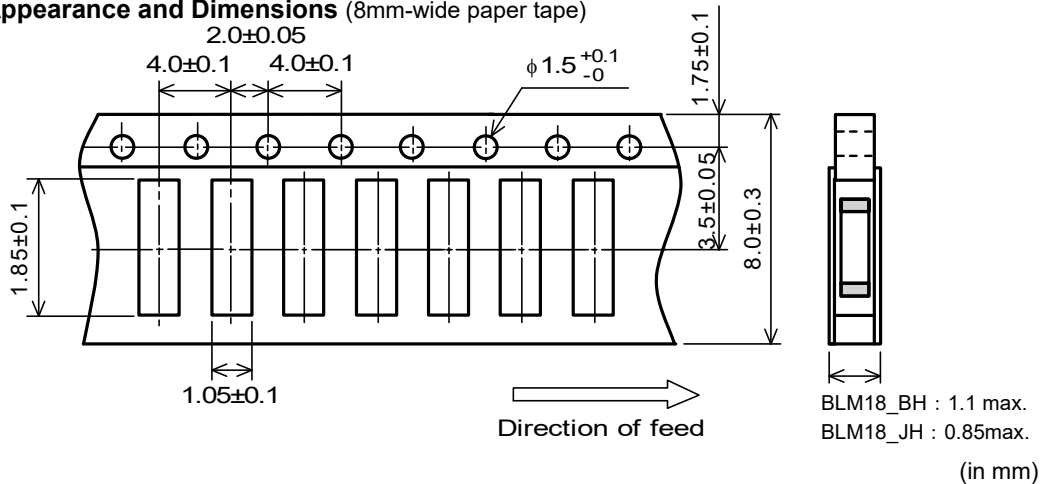
AEC-Q200			Murata Specification / Deviation						
No.	Stress	Test Method							
3	High Temperature Exposure	1000hours at 150 deg C Set for 24hours at room temperature, then measured.	Meet Table A after testing. <u>Table A</u> <table border="1" style="margin-left: auto; margin-right: auto;"> <tr> <td style="padding: 2px;">Appearance</td> <td style="padding: 2px;">No damage</td> </tr> <tr> <td style="padding: 2px;">Impedance Change (at 100MHz)</td> <td style="padding: 2px;">Within ±50%</td> </tr> <tr> <td style="padding: 2px;">DC Resistance</td> <td style="padding: 2px;">Meet item 3.</td> </tr> </table>	Appearance	No damage	Impedance Change (at 100MHz)	Within ±50%	DC Resistance	Meet item 3.
Appearance	No damage								
Impedance Change (at 100MHz)	Within ±50%								
DC Resistance	Meet item 3.								
4	Temperature Cycling	1000cycles -55 deg C to +150 deg C Set for 24hours at room temperature, then measured.	Meet Table A after testing.						
5	Destructive Physical Analysis	Per EIA469 No electrical tests	No defects						
7	Biased Humidity	1000hours at 85 deg C, 85%RH Apply max rated current.	Meet Table B after testing. <u>TableB</u> <table border="1" style="margin-left: auto; margin-right: auto;"> <tr> <td style="padding: 2px;">Appearance</td> <td style="padding: 2px;">No damage</td> </tr> <tr> <td style="padding: 2px;">Impedance Change (at 100MHz)</td> <td style="padding: 2px;">Within ±30% (for BLM18KG) Within ±50%</td> </tr> <tr> <td style="padding: 2px;">DC Resistance</td> <td style="padding: 2px;">Meet item 3.</td> </tr> </table>	Appearance	No damage	Impedance Change (at 100MHz)	Within ±30% (for BLM18KG) Within ±50%	DC Resistance	Meet item 3.
Appearance	No damage								
Impedance Change (at 100MHz)	Within ±30% (for BLM18KG) Within ±50%								
DC Resistance	Meet item 3.								
8	Operational Life	Apply 150deg C 1000hours Set for 24hours at room temperature, then measured	Meet Table A after testing. If the rated current of parts exceed 10mA, the operating temperature should be 125 deg C.						
9	External Visual	Visual inspection	No abnormalities						
10	Physical Dimension	Meet ITEM 4 (Style and Dimensions)	No defects						
12	Resistance to Solvents	Per MIL-STD-202 Method 215	Not Applicable						
13	Mechanical Shock	Per MIL-STD-202 Method 213 Condition F 1500g's (14.7N)/0.5ms/ Half sine	Meet Table C after testing. <u>Table C</u> <table border="1" style="margin-left: auto; margin-right: auto;"> <tr> <td style="padding: 2px;">Appearance</td> <td style="padding: 2px;">No damage</td> </tr> <tr> <td style="padding: 2px;">Impedance Change (at 100MHz)</td> <td style="padding: 2px;">Within ±30%</td> </tr> <tr> <td style="padding: 2px;">DC Resistance</td> <td style="padding: 2px;">Meet item 3.</td> </tr> </table>	Appearance	No damage	Impedance Change (at 100MHz)	Within ±30%	DC Resistance	Meet item 3.
Appearance	No damage								
Impedance Change (at 100MHz)	Within ±30%								
DC Resistance	Meet item 3.								
14	Vibration	5g's(0.049N) for 20 minutes, 12cycles each of 3 orientations Test from 10-2000Hz.	Meet Table C after testing.						
15	Resistance to Soldering Heat	Solder temperature 260C+/-5 deg C Immersion time 10s	Pre-heating:150C +/-10 deg,60s to 90s Meet Table A after testing.						
17	ESD	Per AEC-Q200-002	Meet Table C after testing. ESD Rank: Meet Item 3. (Rating)						
18	Solderability	Per J-STD-002	Method b : Not Applicable 95% of the terminations is to be soldered.						

Reference Only

AEC-Q200			Murata Specification / Deviation
No.	Stress	Test Method	
19	Electrical Characterization	Measured : Impedance	No defects
20	Flammability	Per UL-94	Not Applicable
21	Board Flex	Epoxy-PCB(1.6mm) Deflection 2mm(min) 60s minimum holding tim	Meet Table B after testing.
22	Terminal Strength	Per AEC-Q200-006	No defects
30	Electrical Transient Conduction	Per ISO-7637-2	Not Applicable

8.Specification of Packaging

8-1.Appearance and Dimensions (8mm-wide paper tape)



(1) Taping

Products shall be packaged in the cavity of the base tape of 8mm-wide,4mm-pitch continuously and sealed by top tape and bottom tape.

- (2) The sprocket holes are to the right as the tape is pulled toward the user.
- (3) Spliced point: The base tape and top tape have no spliced point
- (4) Cavity: There shall not be burr in the cavity.
- (5) Missing components number

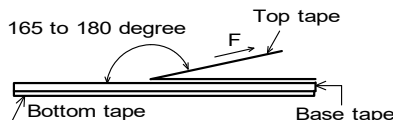
Missing components number within 0.025% of the number per reel or 1 pc., whichever is greater, and are not continuous. The specified quantity per reel are kept.

8-2.Tape Strength

(1) Pull Strength

Top tape	5N min.
Bottom tape	

- (2) Peeling off force of Top tape
0.1N to 0.6N (Minimum value is typical.)
*Speed of Peeling off:300mm/min



Reference Only

9. ⚠ Caution

9-1.Rating

Do not use products beyond the Operating Temperature Range and Rated Current.

9-2.Surge current

Excessive surge current (pulse current or rush current) than specified rated current applied to the product may cause a critical failure, such as an open circuit, burnout caused by excessive temperature rise. Please contact us in advance in case of applying the surge current.

9-3.Fail Safe

Be sure to provide an appropriate fail-safe function on your product to prevent from a second damage that may be caused by the abnormal function or the failure of our products.

9-4.Limitation of Applications

Please contact us before using our products for the applications listed below which require especially high reliability for the prevention of defects which might directly cause damage to the third party's life, body or property.

- | | |
|----------------------------------|---|
| (1)Aircraft equipment | (6)Disaster prevention / crime prevention equipment |
| (2)Aerospace equipment | (7)Traffic signal equipment |
| (3)Undersea equipment | (8)Transportation equipment (trains,ships,etc.) |
| (4)Power plant control equipment | (9)Data-processing equipment |
| (5)Medical equipment | (10)Applications of similar complexity and /or reliability requirements to the applications listed in the above |

9-5. Corrosive gas

Please refrain from use since contact with environments with corrosive gases (sulfur gas [hydrogen sulfide, sulfur dioxide, etc.], chlorine, ammonia, etc.) or oils (cutting oil, silicone oil, etc.) that have come into contact with the previously stated corrosive gas environment will result in deterioration of product quality or an open from deterioration due to corrosion of product electrode, etc. We will not bear any responsibility for use under these environments.

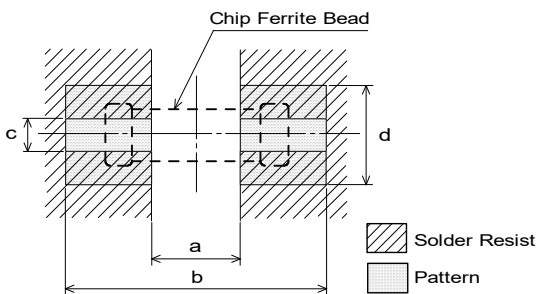
10. Notice

This product is designed for solder mounting.

Please consult us in advance for applying other mounting method such as conductive adhesive.

10-1.Land pattern designing

- Standard land dimensions



Rated Current (A)	Soldering	a	b	c	Land pad thickness and dimension d		
					18μm	35μm	70μm
~1.0	Flow/ Reflow	Flow	Flow	0.7	0.7	0.7	0.7
~1.5		0.8	2.5		1.2	0.7	0.7
~2.5		Reflow	Reflow		2.4	1.2	0.7
~4.0		0.7	2.0		6.4	3.3	1.65

(in mm)

*The excessive heat by land pads may cause deterioration at joint of products with substrate.

10-2.Soldering Conditions

Products can be applied to reflow and flow soldering.

(1) Flux,Solder

Flux	Use rosin-based flux, but not highly acidic flux (with chlorine content exceeding 0.2(wt)%.) Do not use water-soluble flux.
Solder	Use Sn-3.0Ag-0.5Cu solder Standard thickness of solder paste : 100 μm to 200 μm

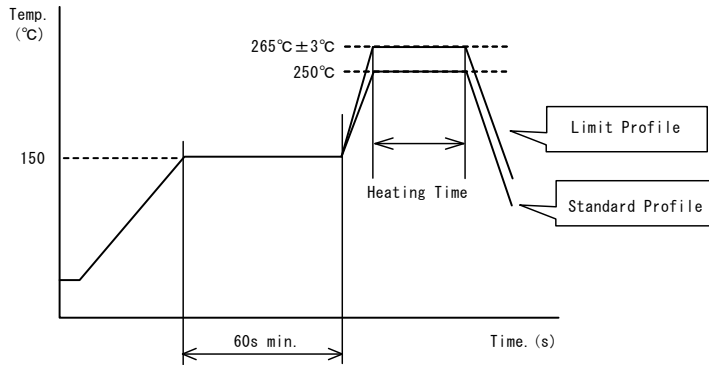
Reference Only

(2) Soldering conditions

- Pre-heating should be in such a way that the temperature difference between solder and ferrite surface is limited to 150°C max. Also cooling into solvent after soldering should be in such a way that the temperature difference is limited to 100°C max.
Insufficient pre-heating may cause cracks on the ferrite, resulting in the deterioration of product quality.
- Standard soldering profile and the limit soldering profile is as follows.
The excessive limit soldering conditions may cause leaching of the electrode and / or resulting in the deterioration of product quality.

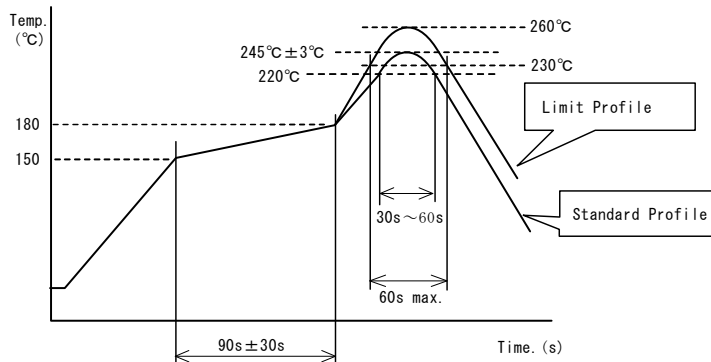
(3) soldering profile

Flow soldering profile



	Standard Profile	Limit Profile
Pre-heating	150°C、60s min.	
Heating	250°C、4~6s	265°C±3°C、5s max.
Cycle of flow	2 times	2 times

Reflow soldering profile



	Standard Profile	Limit Profile
Pre-heating	150~180°C、90s±30s	
Heating	above 220°C、30s~60s	above 230°C、60s max.
Peak temperature	245±3°C	260°C、10s
Cycle of reflow	2 times	2 times

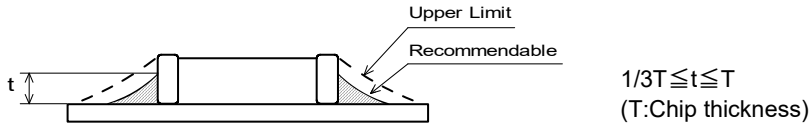
10-3. Reworking with soldering iron

- Pre-heating: 150°C, 1 min
- Tip temperature: 350°C max.
- Soldering time : 3(+1,-0) seconds.
- Soldering iron output: 80W max.
- Tip diameter: φ 3mm max.
- Times : 2times max.

Note :Do not directly touch the products with the tip of the soldering iron in order to prevent the crack on the ferrite material due to the thermal shock.

10-4.Solder Volume

Solder shall be used not to be exceeded as shown below.



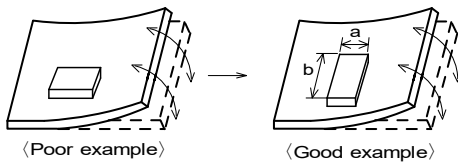
Accordingly increasing the solder volume, the mechanical stress to product is also increased. Exceeding solder volume may cause the failure of mechanical or electrical performance.

10-5.Attention regarding P.C.B. bending

The following shall be considered when designing and laying out P.C.B.'s.

(1) P.C.B. shall be designed so that products are not subject to the mechanical stress for board warpage.

<Products direction>



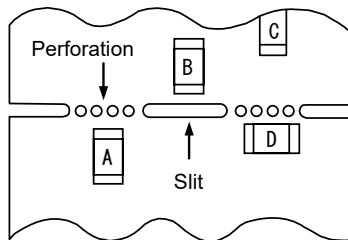
Products shall be located in the sideways direction (Length:a<b) to the mechanical stress.

(2)Components location on P.C.B. separation.

It is effective to implement the following measures, to reduce stress in separating the board.

It is best to implement all of the following three measures; however, implement as many measures as possible to reduce stress.

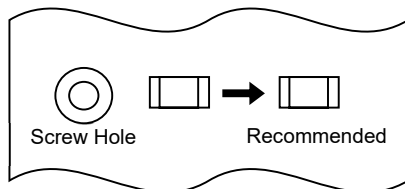
Contents of Measures	Stress Level
(1) Turn the mounting direction of the component parallel to the board separation surface.	A > D *1
(2) Add slits in the board separation part.	A > B
(3) Keep the mounting position of the component away from the board separation surface.	A > C



*1 A > D is valid when stress is added vertically to the perforation as with Hand Separation. If a Cutting Disc is used, stress will be diagonal to the PCB, therefore A > D is invalid.

(3) Mounting Components Near Screw Holes

When a component is mounted near a screw hole, it may be affected by the board deflection that occurs during the tightening of the screw. Mount the component in a position as far away from the screw holes as possible.



10-6.Mounting density

Add special attention to radiating heat of products when mounting the inductor near the products with heating. The excessive heat by other products may cause deterioration at joint of this product with substrate.