



Gate Driver
BM61S41RFV-C Evaluation Board
BM61S41RFV-EVK001

User's Guide

<High Voltage Safety Precautions>

◇ Read all safety precautions before use

Please note that this document covers only the BM61S41RFV-C evaluation board (BM61S41RFV-EVK001) and its functions. For additional information, please refer to the datasheet.

To ensure safe operation, please carefully read all precautions before handling the evaluation board



Depending on the configuration of the board and voltages used,

Potentially lethal voltages may be generated.

Therefore, please make sure to read and observe all safety precautions described in the red box below.

Before Use

- [1] Verify that the parts/components are not damaged or missing (i.e. due to the drops).
- [2] Check that there are no conductive foreign objects on the board.
- [3] Be careful when performing soldering on the module and/or evaluation board to ensure that solder splash does not occur.
- [4] Check that there is no condensation or water droplets on the circuit board.

During Use

- [5] Be careful to not allow conductive objects to come into contact with the board.
- [6] **Brief accidental contact or even bringing your hand close to the board may result in discharge and lead to severe injury or death.**

Therefore, DO NOT touch the board with your bare hands or bring them too close to the board. In addition, as mentioned above please exercise extreme caution when using conductive tools such as tweezers and screwdrivers.

- [7] If used under conditions beyond its rated voltage, it may cause defects such as short-circuit or, depending on the circumstances, explosion or other permanent damages.
- [8] Be sure to wear insulated gloves when handling is required during operation.

After Use

- [9] The ROHM Evaluation Board contains the circuits which store the high voltage. Since it stores the charges even after the connected power circuits are cut, please discharge the electricity after using it, and please deal with it after confirming such electric discharge.
- [10] Protect against electric shocks by wearing insulated gloves when handling.

This evaluation board is intended for use only in research and development facilities and should be handled **only by qualified personnel familiar with all safety and operating procedures.**

We recommend carrying out operation in a safe environment that includes the use of high voltage signage at all entrances, safety interlocks, and protective glasses.

Isolated Gate Driver

BM61S41RFV-C Evaluation Board

BM61S41RFV-EVK001

The BM61S41RFV-EVK001 board can be driving SiC Power Devices. The Input-side power supply voltage is from 4.5 to 5.5 V. The output-side power supply is from 16 to 24 V. The BM61S41RFV-C has Power Supply protections which are the Under-Voltage Lockout (UVLO) function at Input-side and Output-side. The Active Miller Clamping is included for gate control. The BM61S41RFV-EVK001 allows designers to evaluate Rohm's Gate Driver family for various applications.

Application

SiC MOSFET Gate Drive

Electric Characteristics

Features and electric characteristics are complied with BM61S41RFV-C. The BM61S41RFV-C datasheet can be referenced to help facilitate designs.

Operating Range

Parameter	Symbol	Min	Max	Units
Input-side Supply Voltage	VCC1 ^(Note 1)	4.5	5.5	V
Output-side Supply Voltage	VCC2 ^(Note 2)	16	24	V
Operating Temperature	Topr	-40	+125	°C

(Note 1): Relative to GND1

(Note 2): Relative to GND2

Absolute Maximum Ratings

Parameter	Symbol	Limits	Units
Input-side Supply Voltage	VCC1	-0.3 to +7.0 ^(Note 3)	V
Output-side Supply Voltage	VCC2	-0.3 to +30.0 ^(Note 4)	V
INA Pin Input Voltage	V _{INA}	-0.3 to +VCC1+0.3 or +7.0 ^(Note 3)	V
INB Pin Input Voltage	V _{INB}	-0.3 to +VCC1+0.3 or +7.0 ^(Note 3)	V

(Note 3): Relative to GND1

(Note 4): Relative to GND2

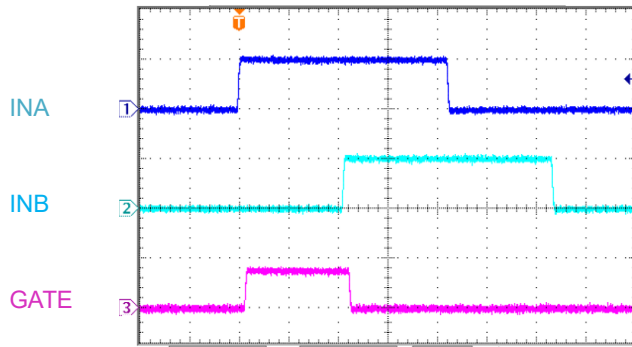
Terminal Descriptions

Terminal name	Description
VCC1	Input-side Power Supply
INA	Input-side Control A
INB	Input-side Control B
GND1	Input-side Ground
GND2	Output-side Ground
GATE	Output-side Gate Control
VCC2	Output-side Power Supply

Input / Output terminal Control

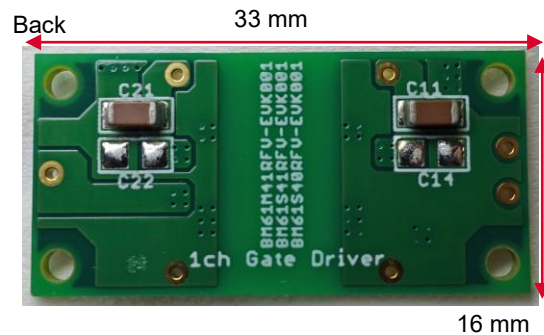
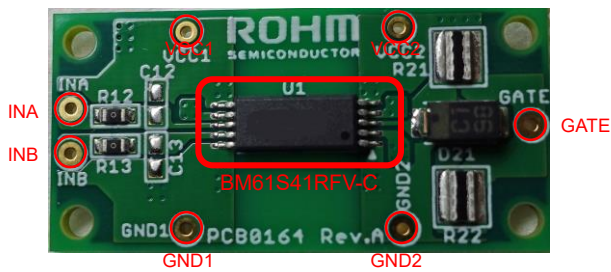
INA (input)	INB (input)	GATE (Output)
L	H	L
H	H	L
L	L	L
H	L	H

Waveform



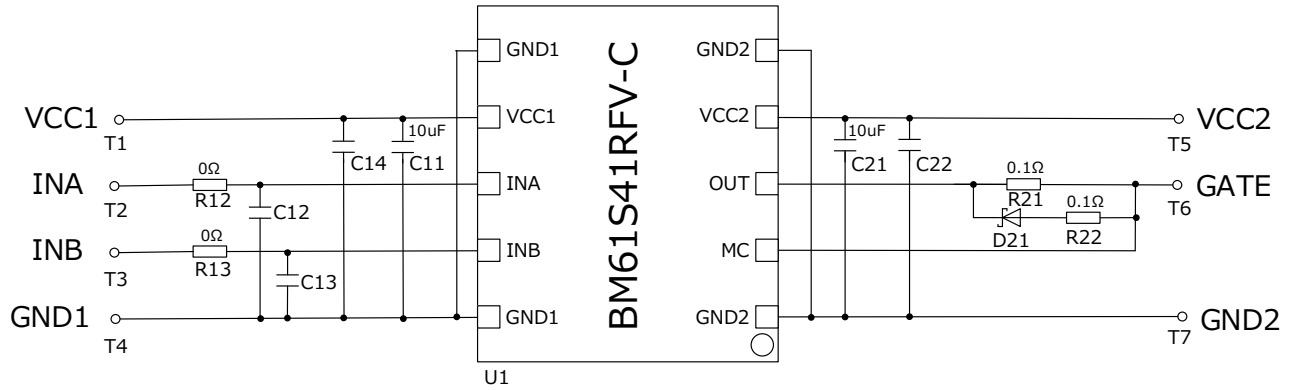
Evaluation Board

Front



Schematics

R12, R13, R21 and R22 are implemented interim resistors for shipment check. Please replace each resistor which can work with Power Device or input device appropriately.



Bill of Materials

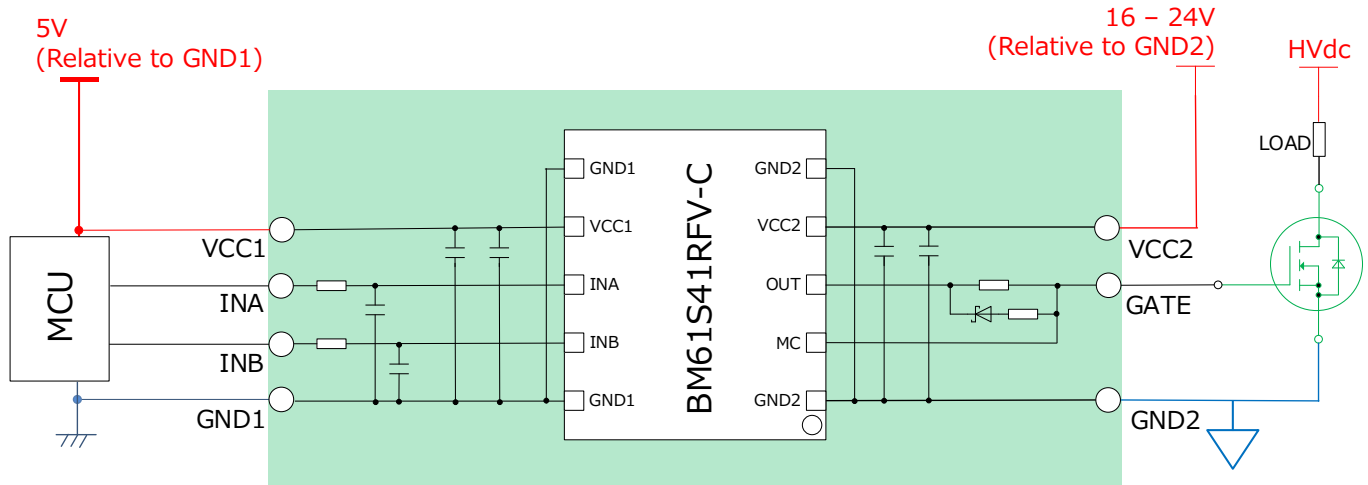
Device	Parts Number	Description	Manufacturer	Parts name	Qty.
Gate Driver	U1	1ch, 16V - 24V	ROHM	BM61S41RFV-C	1
Input Capacitor	C11	10µF, 50V, X7R, 3216	TDK	CGA5L1X7R1H106K160	1
	C14	(no stuff)			0
Input signal filter	R12, R13	0 ohm, 1608	ROHM	MCR03EZPJ000	2
	C12, C13	(no stuff)			0
Output Capacitor	C21	10µF, 50V, X7R, 3216	TDK	CGA5L1X7R1H106K160	1
	C22	(no stuff)			0
Gate	R21	0.1 ohm, 3216	ROHM	LTR18EZPJLR10	1
	R22	0.1 ohm, 3216	ROHM	LTR18EZPJLR10	1
	D21	Schottky Diode, 30V, 5A	ROHM	RBR5L30BDD	1
Test pin	T1, T2, T3, T4, T5, T6, T7 (Option)	(no stuff)	Hirosugi-Keiki	HT-0710-3	7
Spacer	(Option)	M2, 10mm	Hirosugi-Keiki	BSN2010	4
Nut	(Option)	M2	Hirosugi-Keiki	NNT-00	4

Materials may be changed without notice.

Application and Operation procedure

Following figure is shown the example application. SiC MOSFET and microcontroller [MCU] are connected to the board via terminals. Please make sure to replace the appropriate value for each resistor and capacitor on the board depends on your applications. The numerous application notes can be referenced to help facilitate designs. Useful application notes are listed on page 6.

Example Application



Equipment

- DC Power Supply: 5 V for control signal [5 VDC], 16 to 24 V for Power Device [16 to 24 VDC]
- Microcontroller [MCU]: Input signal for controlling GATE output
- Power Device: SiC MOSFET
We have many power devices which can work with Evaluation Board. You can get applicable product information from our web site. Some products are shown on page 7.

Instructions

Before start to connect, make sure to turn off all equipment for your safety.

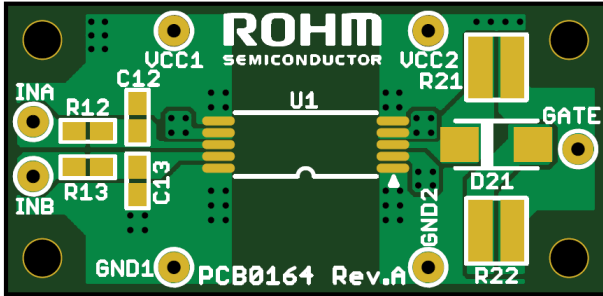
1. Connect 5 VDC to VCC1-GND terminal on board.
Stay turn off the power supply.
2. Connect 16 to 24 VDC to VCC2-GND2 terminal on board.
Stay turn off the power supply.
3. Connect MCU to the INA and INB terminal on board.
Refer to the Input / Output terminal Control description on page 2.
4. Connect GATE terminal on board to gate terminal on power device.
5. Turn on the 5 VDC and MCU.
6. Turn on the 16 to 24 VDC.

PCB Layout

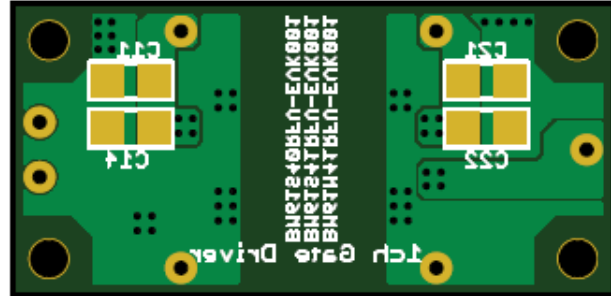
Board size: 33 x 16 mm, Material:FR-4, 4-layer.

Input-side capacitors and output capacitors [C11, C14, C21, C22] are placed on bottom side in order to reduce board size. When you design your PCB layout, we recommend to place them to the same side and near the gate driver as close as possible.

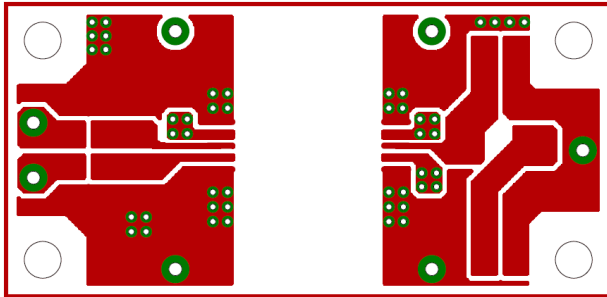
Top Layer with Pads and Silkscreen (Top View)



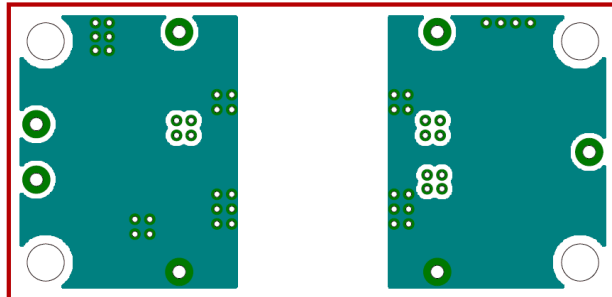
Bottom Layer with Pads and Silkscreen (Top View)



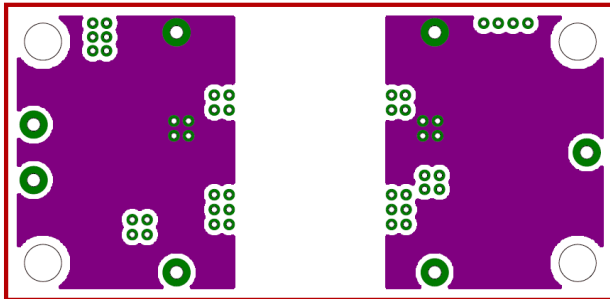
Top Layer (Top View)



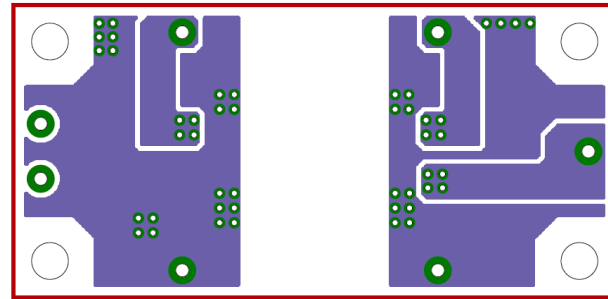
2nd Layer (Top View)



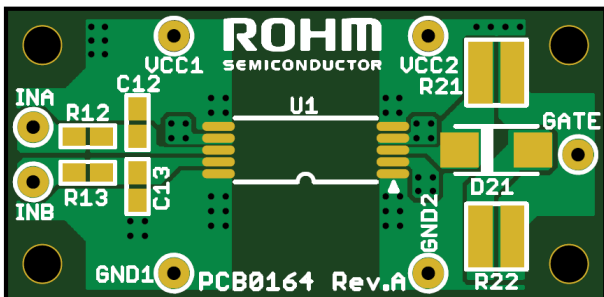
3rd Layer (Top View)



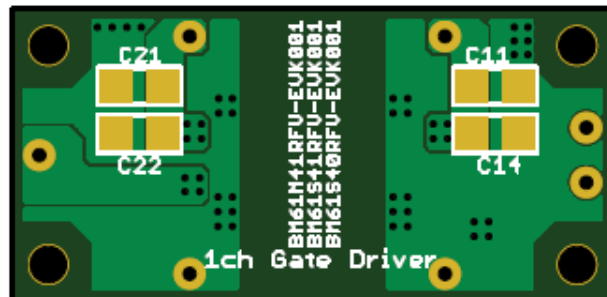
Bottom Layer (Top View)



Silkscreen (Top)



Silkscreen (Bottom)



We have numerous power devices which are suitable for your requests.

For the SiC MOSFET, please visit our web site below:

<https://www.rohm.com/products/sic-power-devices>

Following examples are SiC MOSFET for automotive grade.

Matching Products	Drain-Source Voltage [V]	Drain-Source On-state Resistance (Typ) [mnc]	Drain Current [A]	Total Power Dissipation [W]	Junction Temperature (Max) [°C]	Storage Temperature (Min) [°C]	Storage Temperature (Max) [°C]	Package
SCT3017ALHR	650	17	118	427	+175	-55	+175	TO-247N
SCT3022ALHR		22	93	339				
SCT3030ALHR		30	70	262				
SCT3060ALHR		60	39	165				
SCT3080ALHR		80	30	134				
SCT3120ALHR		120	21	103				
SCT3022KLHR	1200	22	95	427				
SCT3030KLHR		30	72	339				
SCT3040KLHR		40	55	262				
SCT2080KEHR		80	40	262				
SCT3080KLHR		80	31	165				
SCT3105KLHR		105	24	134				
SCT3160KLHR		160	17	103				

We also offer useful power device application notes for design and evaluation.

Please visit our web site below:

<https://www.rohm.com/search/application-notes>

1. Gate-source voltage behavior in a bridge configuration, No.60AN135E
2. Gate-Source Voltage Surge Suppression Methods, No.62AN010E
3. Snubber circuits design method for SiC MOSFET, No.62AN037E
4. Switching Loss improvement by TO-247-4L with Driver Source, No.62AN04E

Revision History

Date	Revision Number	Description
2019.10	001	New Release