




POWrTherm™ BN-LG10Y Series Features

- Power NTC thermistor for Inrush Current Limiting (ICL)
- 10 mm disc diameter with wide resistance range
- Highly stable electrical characteristics
- Flame retardant coating material meets UL 94V-0 requirements
- RoHS* compliant and halogen free**
- Agency recognition: 



BN-LG10Y Series – Power NTC Thermistors for ICL

Electrical Characteristics

Model	Resistance @ 25 °C (Ω)	Resistance Tolerance ¹	I _{max} (A)	R _{lmax} @ 25 °C (Ω)	Max. Load Capacitance @ 240 VAC (μF)	P _{max} Typical (W)	Dissipation Factor Typical δ (mW/°C)	Thermal Time Constant Typical (sec.)	Operating Temperature Range (°C)
BN-LG10Y1R0Mx	1.0	±20 %	5.0	0.081	150	2.3	Approx. 16	Approx. 40	-40 to +170
BN-LG10Y1R3Mx	1.3	±20 %	5.0	0.083					
BN-LG10Y1R5Mx	1.5	±20 %	5.0	0.096					
BN-LG10Y2R0Mx	2.0	±20 %	5.0	0.107	200				
BN-LG10Y2R5Mx	2.5	±20 %	5.0	0.118	220				
BN-LG10Y3R0Mx	3.0	±20 %	5.0	0.127	330				
BN-LG10Y4R0Mx	4.0	±20 %	4.0	0.160					
BN-LG10Y5R0Mx	5.0	±20 %	4.0	0.176					
BN-LG10Y6R0Mx	6.0	±20 %	3.0	0.234					
BN-LG10Y6R8Mx	6.8	±20 %	3.0	0.265					
BN-LG10Y7R0Mx	7.0	±20 %	3.0	0.273					
BN-LG10Y8R0Mx	8.0	±20 %	3.0	0.287					
BN-LG10Y100Mx	10.0	±20 %	3.0	0.303					
BN-LG10Y120Mx	12.0	±20 %	3.0	0.318					
BN-LG10Y130Mx	13.0	±20 %	3.0	0.345					
BN-LG10Y150Mx	15.0	±20 %	2.5	0.407	150				
BN-LG10Y160Mx	16.0	±20 %	2.5	0.410					
BN-LG10Y200Mx	20.0	±20 %	2.0	0.576					
BN-LG10Y220Mx	22.0	±20 %	2.0	0.586	330				
BN-LG10Y250Mx	25.0	±20 %	2.0	0.595					
BN-LG10Y300Mx	30.0	±20 %	2.0	0.714					
BN-LG10Y470Mx	47.0	±20 %	2.0	0.795					
BN-LG10Y500Mx	50.0	±20 %	2.0	0.801	390				
BN-LG10Y800Mx	80.0	±20 %	1.0	2.217	220				
BN-LG10Y101Mx	100.0	±20 %	1.0	2.275	390				
BN-LG10Y121Mx	120.0	±20 %	1.0	2.693					

Notes:

"x" denotes lead type. "Y" = Kinked, "S" = Straight.

¹ ±15 % resistance tolerance is available upon request.



WARNING Cancer and Reproductive Harm
www.P65Warnings.ca.gov

*RoHS Directive 2015/863, Mar 31, 2015 and Annex.

**Bourns considers a product to be "halogen free" if (a) the Bromine (Br) content is 900 ppm or less; (b) the Chlorine (Cl) content is 900 ppm or less; and (c) the total Bromine (Br) and Chlorine (Cl) content is 1500 ppm or less.

"POWrTherm" is a trademark of Bourns, Inc.

Specifications are subject to change without notice.

Users should verify actual device performance in their specific applications.

The products described herein and this document are subject to specific legal disclaimers as set forth on the last page of this document, and at www.bourns.com/docs/legal/disclaimer.pdf.

Additional Information

Click these links for more information:

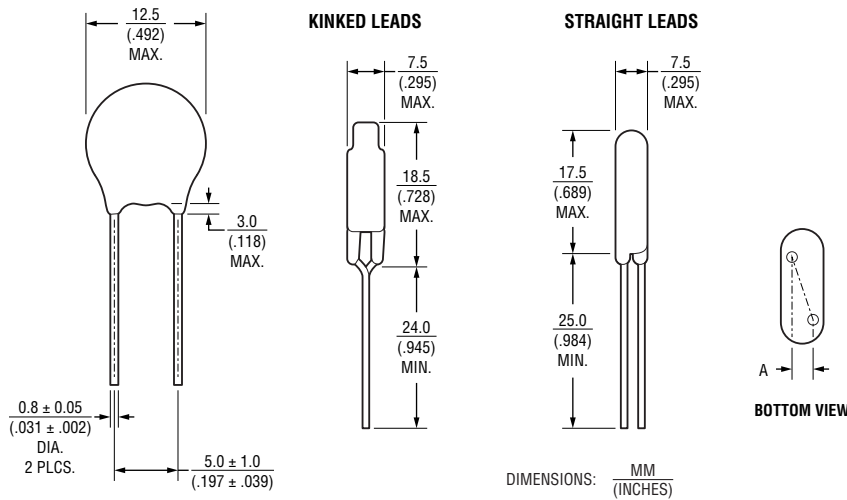


[PRODUCT SELECTOR](#) [TECHNICAL LIBRARY](#) [INVENTORY](#) [SAMPLES](#) [CONTACT](#)

BN-LG10Y Series – Power NTC Thermistors for ICL



Product Dimensions



R ₂₅ Ω	A dim.
1.0	$\frac{1.6 \pm 0.8}{(.063 \pm .031)}$
1.3	$\frac{1.9 \pm 0.8}{(.075 \pm .031)}$
1.5	
2.0	
2.5	
3.0	
4.0	$\frac{2.2 \pm 0.8}{(.087 \pm .031)}$
5.0	
6.0	

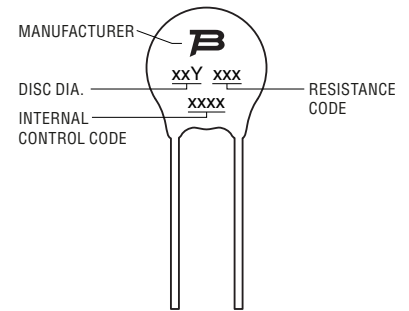
R ₂₅ Ω	A dim.
6.8	$\frac{2.4 \pm 0.8}{(.094 \pm .031)}$
7.0	$\frac{2.0 \pm 0.8}{(.079 \pm .031)}$
8.0	
10	$\frac{2.2 \pm 0.8}{(.087 \pm .031)}$
12	$\frac{2.0 \pm 0.8}{(.079 \pm .031)}$
13	$\frac{2.2 \pm 0.8}{(.087 \pm .031)}$
15	
16	
20	

R ₂₅ Ω	A dim.
22	$\frac{2.2 \pm 0.8}{(.087 \pm .031)}$
25	$\frac{2.5 \pm 0.8}{(.098 \pm .031)}$
30	
47	$\frac{2.0 \pm 0.8}{(.079 \pm .031)}$
50	$\frac{2.6 \pm 0.8}{(.102 \pm .031)}$
80	
100	$\frac{3.1 \pm 0.8}{(.122 \pm .031)}$
120	$\frac{1.5 \pm 0.8}{(.059 \pm .031)}$

Agency Recognition

UL US File number: [E307915](#)

Typical Part Marking



Environmental Characteristics

Storage Conditions

Temperature +15 °C to +40 °C
 Humidity 20 to 70 %
 Moisture Sensitivity Level 1

Standard Packaging Quantities

Bulk	2,500 pcs./box
Tape & Reel	1,500 pcs./reel
Ammo Pack	1,000 pcs./box

Specifications are subject to change without notice.

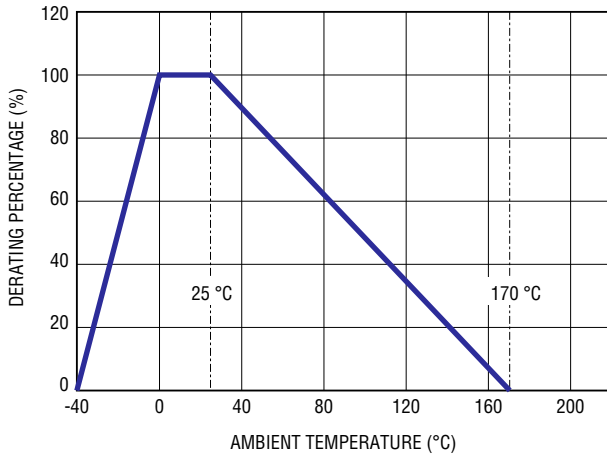
Users should verify actual device performance in their specific applications.

The products described herein and this document are subject to specific legal disclaimers as set forth on the last page of this document, and at www.bourns.com/docs/legal/disclaimer.pdf.

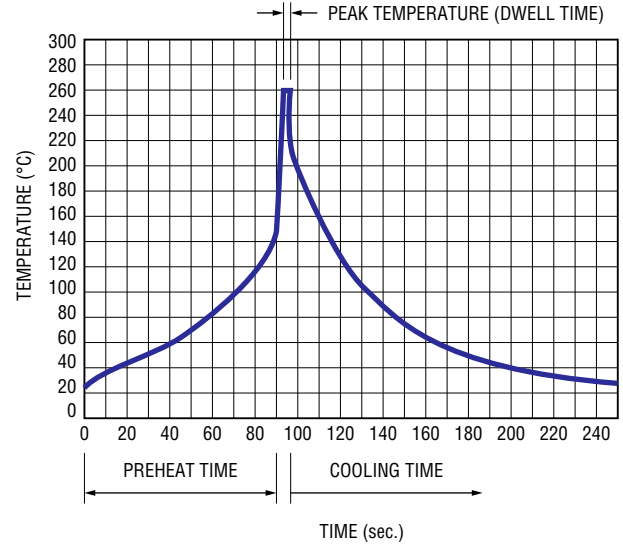
BN-LG10Y Series – Power NTC Thermistors for ICL



I_{max} Derating vs. Ambient Temperature Curves



Solder Reflow Recommendations



How to Order

BN - LG 10Y 2R5 M Y B

POWRtherm™ Product Designator _____

Series _____
 LG = For Inrush Current Limiting (ICL)

Disc Diameter _____
 10Y = 10 mm

Resistance @ 25 °C _____
 2R5 = 2.5 Ω 100 = 10 Ω

Tolerance of R₂₅ _____
 L = ±15 % M = ±20 %

Lead Type _____
 Y = Kinked S = Straight

Packaging Type _____
 B = Bulk R = Tape & Reel M = Ammo Pack

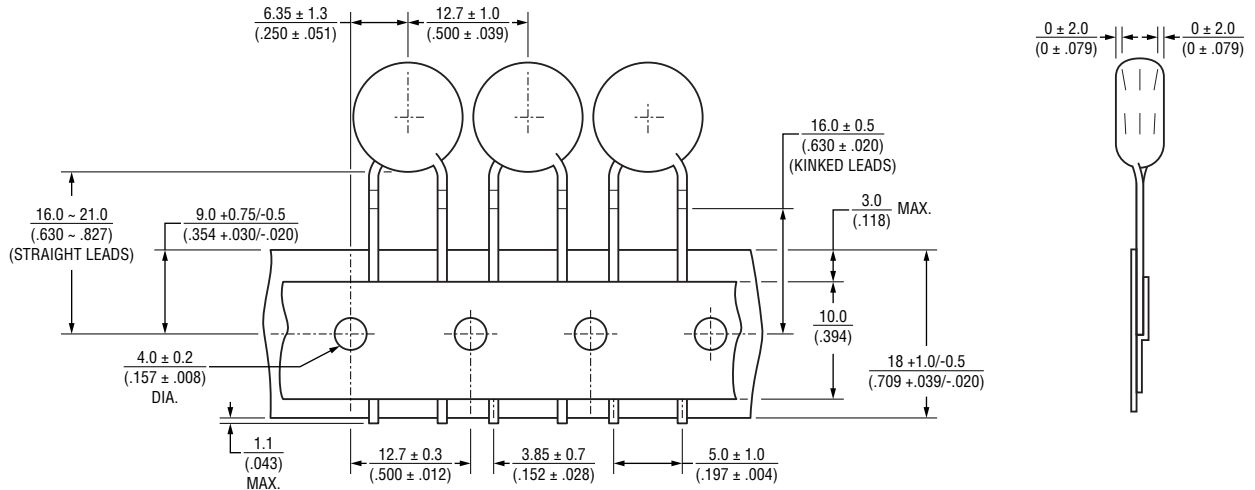
Profile Feature	Pb-Free Assembly
Preheat Temperature Max. (T _{smax})	150 °C
Time (t _s) from (T _{smin} to T _{smax})	60~90 seconds
Solder Pot Temperature	260 °C max.
Solder Dwell Time	2-3 seconds

BN-LG10Y Series – Power NTC Thermistors for ICL

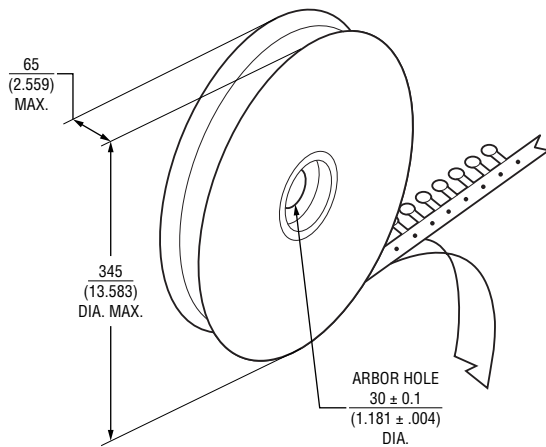
BOURNS®

Packaging Specifications

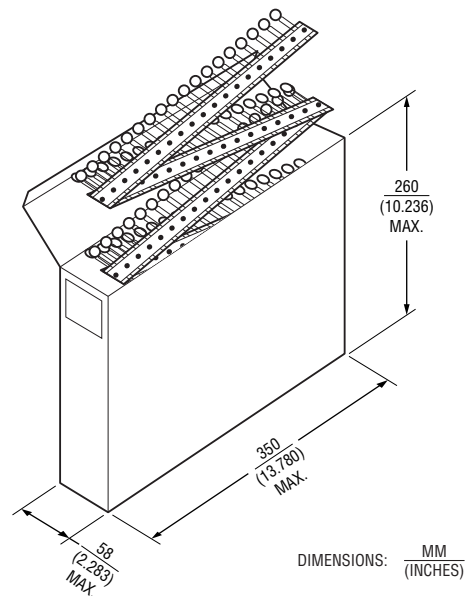
Tape



Reel



Ammo Pack



BOURNS®

Asia-Pacific: Tel: +886-2 2562-4117 • Email: asiacus@bourns.com

EMEA: Tel: +36 88 885 877 • Email: eurocus@bourns.com

The Americas: Tel: +1-951 781-5500 • Email: americus@bourns.com

www.bourns.com

05/23

Specifications are subject to change without notice.

Users should verify actual device performance in their specific applications.

The products described herein and this document are subject to specific legal disclaimers as set forth on the last page of this document, and at www.bourns.com/docs/legal/disclaimer.pdf.