




POWrTherm™ BN-LG15Y Series Features

- Power NTC thermistor for Inrush Current Limiting (ICL)
- 15 mm disc diameter with wide resistance range
- Highly stable electrical characteristics
- Flame retardant coating material meets UL 94V-0 requirements
- RoHS* compliant and halogen free**
- Agency recognition: 



BN-LG15Y Series – Power NTC Thermistors for ICL

Electrical Characteristics

Model	Resistance @ 25 °C (Ω)	Resistance Tolerance ¹	I _{max} (A)	R _{lmax} @ 25 °C (Ω)	Max. Load Capacitance @ 240 VAC (μF)	P _{max} Typical (W)	Dissipation Factor Typical δ (mW/°C)	Thermal Time Constant Typical (sec.)	Operating Temperature Range (°C)
BN-LG15Y0R7Mx	0.7	±20 %	8.0	0.027	470				
BN-LG15Y1R0Mx	1.0	±20 %	8.0	0.038					
BN-LG15Y1R3Mx	1.3	±20 %	8.0	0.054					
BN-LG15Y1R5Mx	1.5	±20 %	8.0	0.058					
BN-LG15Y2R0Mx	2.0	±20 %	8.0	0.059					
BN-LG15Y2R5Mx	2.5	±20 %	8.0	0.074					
BN-LG15Y3R0Mx	3.0	±20 %	7.0	0.095					
BN-LG15Y4R0Mx	4.0	±20 %	6.0	0.106					
BN-LG15Y4R7Mx	4.7	±20 %	6.0	0.108					
BN-LG15Y5R0Mx	5.0	±20 %	6.0	0.111					
BN-LG15Y6R0Mx	6.0	±20 %	6.0	0.117	680	3.7	Approx. 21	Approx. 80	-40 to +200
BN-LG15Y7R0Mx	7.0	±20 %	6.0	0.122					
BN-LG15Y8R0Mx	8.0	±20 %	6.0	0.126					
BN-LG15Y100Mx	10.0	±20 %	5.0	0.194					
BN-LG15Y120Mx	12.0	±20 %	5.0	0.202					
BN-LG15Y150Mx	15.0	±20 %	4.0	0.231					
BN-LG15Y160Mx	16.0	±20 %	4.0	0.252					
BN-LG15Y180Mx	18.0	±20 %	4.0	0.267					
BN-LG15Y200Mx	20.0	±20 %	4.0	0.285					
BN-LG15Y220Mx	22.0	±20 %	4.0	0.317					
BN-LG15Y250Mx	25.0	±20 %	3.0	0.415	680				
BN-LG15Y300Mx	30.0	±20 %	3.0	0.449	470				
BN-LG15Y330Mx	33.0	±20 %	3.0	0.452	1000				
BN-LG15Y400Mx	40.0	±20 %	3.0	0.500	680				
BN-LG15Y470Mx	47.0	±20 %	3.0	0.524	1000				
BN-LG15Y800Mx	80.0	±20 %	2.5	0.699	1000				
BN-LG15Y121Mx	120.0	±20 %	2.0	1.042	1500				
BN-LG15Y221Mx	220.0	±20 %	1.0	3.455	1500				

Notes:

"x" denotes lead type. "Y" = Kinked, "S" = Straight.

¹ ±15 % resistance tolerance is available upon request.



WARNING Cancer and Reproductive Harm
www.P65Warnings.ca.gov

*RoHS Directive 2015/863, Mar 31, 2015 and Annex.

**Bourns considers a product to be "halogen free" if (a) the Bromine (Br) content is 900 ppm or less; (b) the Chlorine (Cl) content is 900 ppm or less; and (c) the total Bromine (Br) and Chlorine (Cl) content is 1500 ppm or less.

"POWrTherm" is a trademark of Bourns, Inc.

Specifications are subject to change without notice.

Users should verify actual device performance in their specific applications.

The products described herein and this document are subject to specific legal disclaimers as set forth on the last page of this document, and at www.bourns.com/docs/legal/disclaimer.pdf.

Additional Information

Click these links for more information:

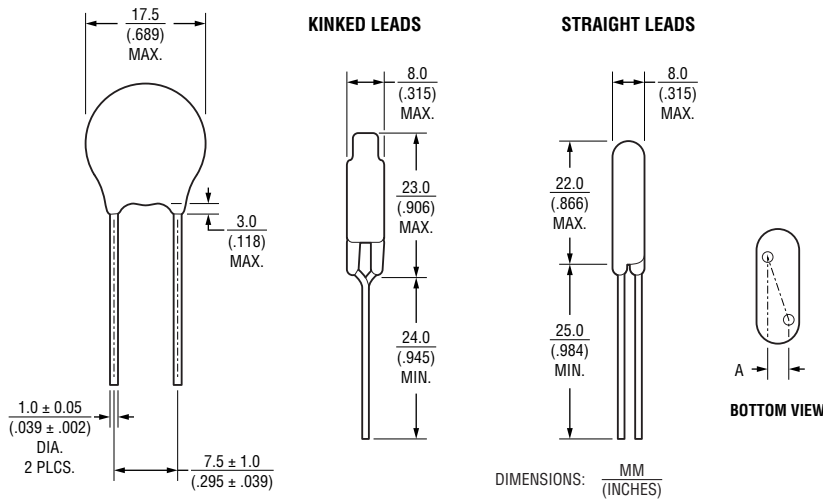


[PRODUCT SELECTOR](#) [TECHNICAL LIBRARY](#) [INVENTORY](#) [SAMPLES](#) [CONTACT](#)

BN-LG15Y Series – Power NTC Thermistors for ICL

BOURNS®

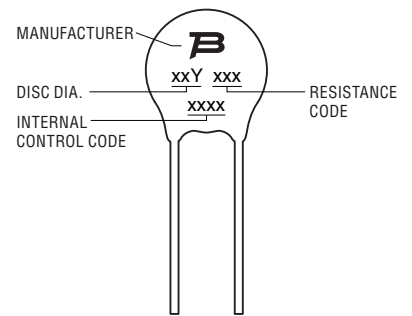
Product Dimensions



Agency Recognition

UL US File number: [E307915](#)
 CSA File number: [R50571116](#)
 (Test for EN 60539-1:2016)

Typical Part Marking



Environmental Characteristics

Storage Conditions

Temperature +15 °C to +40 °C
 Humidity 20 to 70 %
 Moisture Sensitivity Level 1

R ₂₅ Ω	A dim.	R ₂₅ Ω	A dim.	R ₂₅ Ω	A dim.
0.7	$\frac{2.5 \pm 0.8}{(.098 \pm .031)}$	6.0	$\frac{2.6 \pm 0.8}{(.102 \pm .031)}$	25	$\frac{4.2 \pm 0.8}{(.165 \pm .031)}$
1.0		7.0	$\frac{2.7 \pm 0.8}{(.106 \pm .031)}$	30	$\frac{2.8 \pm 0.8}{(.110 \pm .031)}$
1.3		8.0		33	$\frac{3.3 \pm 0.8}{(.130 \pm .031)}$
1.5		10		40	$\frac{3.6 \pm 0.8}{(.142 \pm .031)}$
2.0	12	47			
2.5	$\frac{2.5 \pm 0.8}{(.098 \pm .031)}$	15	$\frac{3.2 \pm 0.8}{(.126 \pm .031)}$	80	$\frac{2.4 \pm 0.8}{(.094 \pm .031)}$
3.0	$\frac{2.7 \pm 0.8}{(.106 \pm .031)}$	16	$\frac{3.6 \pm 0.8}{(.142 \pm .031)}$	120	$\frac{2.9 \pm 0.8}{(.114 \pm .031)}$
4.0	$\frac{2.6 \pm 0.8}{(.102 \pm .031)}$	18		220	$\frac{3.9 \pm 0.8}{(.154 \pm .031)}$
4.7		20			
5.0		22	$\frac{3.8 \pm 0.8}{(.150 \pm .031)}$		

Specifications are subject to change without notice.

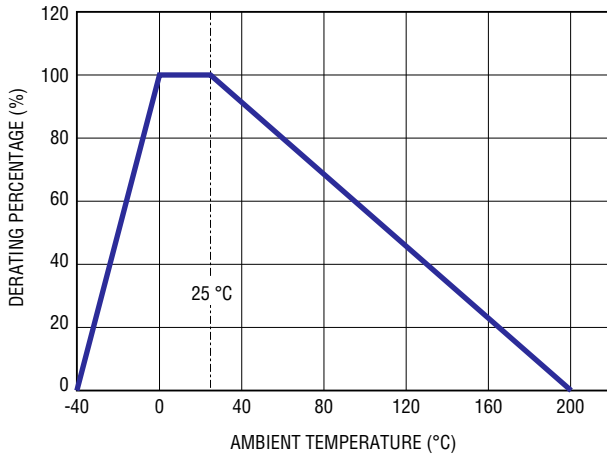
Users should verify actual device performance in their specific applications.

The products described herein and this document are subject to specific legal disclaimers as set forth on the last page of this document, and at www.bourns.com/docs/legal/disclaimer.pdf.

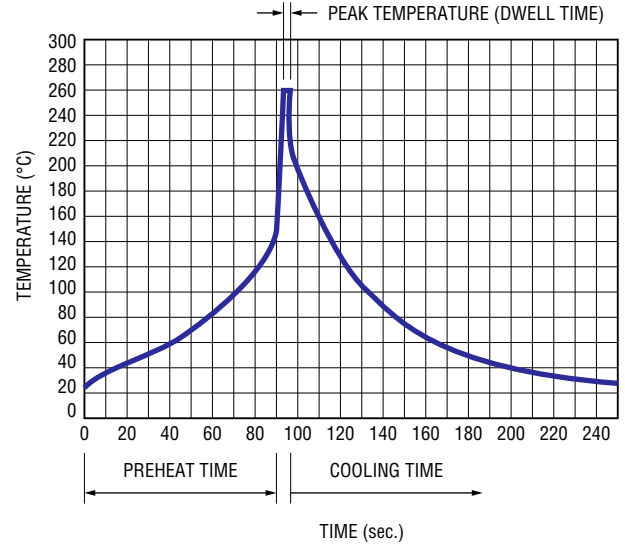
BN-LG15Y Series – Power NTC Thermistors for ICL



I_{max} Derating vs. Ambient Temperature Curves



Solder Reflow Recommendations



Standard Packaging Quantities

Resistance R ₂₅	Packaging Type		
	Bulk pcs./box	Tape & Reel pcs./reel	Ammo Pack pcs./box
0R7 ~ 6R0	1,000	750	500
7R0	750		
8R0	1,000	500	
100 ~ 120		750	
150 ~ 160	1,000		
180 ~ 250		750	
300 ~ 330	1,000	500	
400 ~ 470	750		
800 ~ 121	1,000	750	
221	750	500	

Profile Feature	Pb-Free Assembly
Preheat Temperature Max. (T _{smax})	150 °C
Time (t _s) from (T _{smin} to T _{smax})	60~90 seconds
Solder Pot Temperature	260 °C max.
Solder Dwell Time	2-3 seconds

How to Order

BN - LG 15Y 2R5 M Y B

POWrTherm™ Product Designator _____

Series _____
 LG = For Inrush Current Limiting (ICL)

Disc Diameter _____
 15Y = 15 mm

Resistance @ 25 °C _____
 2R5 = 2.5 Ω 100 = 10 Ω 121 = 120 Ω

Tolerance of R₂₅ _____
 L = ±15 % M = ±20 %

Lead Type _____
 Y = Kinked S = Straight

Packaging Type _____
 B = Bulk R = Tape & Reel M = Ammo Pack

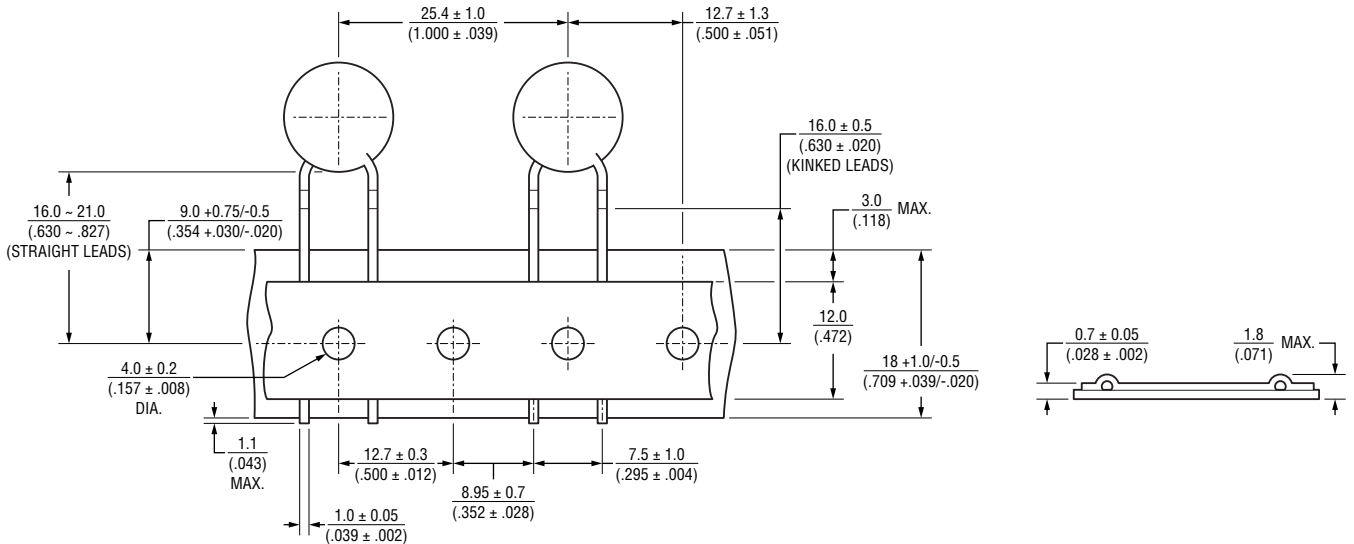
Specifications are subject to change without notice. Users should verify actual device performance in their specific applications. The products described herein and this document are subject to specific legal disclaimers as set forth on the last page of this document, and at www.bourns.com/docs/legal/disclaimer.pdf.

BN-LG15Y Series – Power NTC Thermistors for ICL

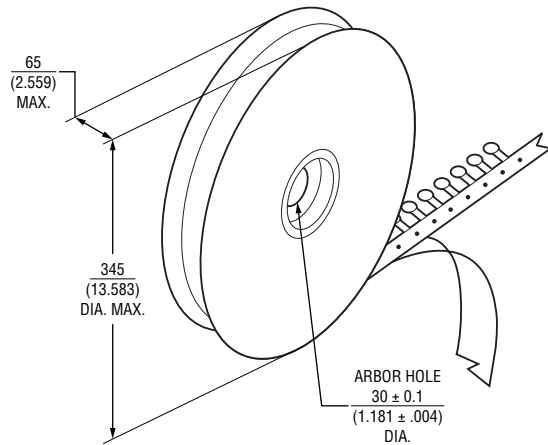
BOURNS®

Packaging Specifications

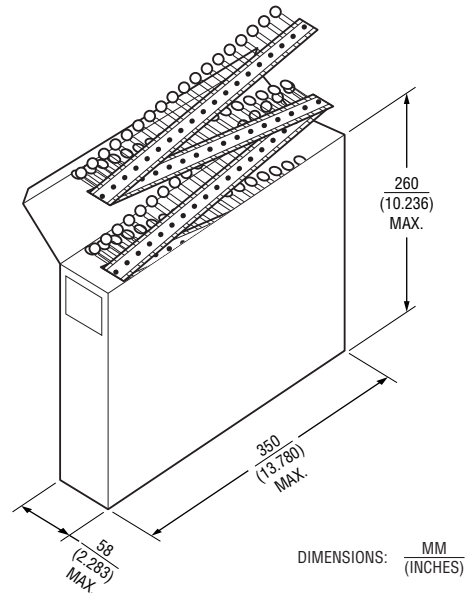
Tape



Reel



Ammo Pack



BOURNS®

Asia-Pacific: Tel: +886-2 2562-4117 • Email: asiacus@bourns.com

EMEA: Tel: +36 88 885 877 • Email: eurocus@bourns.com

The Americas: Tel: +1-951 781-5500 • Email: americus@bourns.com

www.bourns.com

05/23

Specifications are subject to change without notice.

Users should verify actual device performance in their specific applications.

The products described herein and this document are subject to specific legal disclaimers as set forth on the last page of this document, and at www.bourns.com/docs/legal/disclaimer.pdf.