



## POWrTherm™ BN-LG15Y Series Features

- Power NTC thermistor for Inrush Current Limiting (ICL)
- 15 mm disc diameter with wide resistance range
- Highly stable electrical characteristics
- Flame retardant coating material meets UL 94V-0 requirements
- RoHS\* compliant and halogen free\*\*
- Agency recognition:



## BN-LG15Y Series – Power NTC Thermistors for ICL

### Electrical Characteristics

Model	Resistance @ 25 °C (Ω)	Resistance Tolerance <sup>1</sup>	I <sub>max</sub> (A)	R <sub>lmax</sub> @ 25 °C (Ω)	Max. Load Capacitance @ 240 VAC (μF)	P <sub>max</sub> Typical (W)	Dissipation Factor Typical δ (mW/°C)	Thermal Time Constant Typical (sec.)	Operating Temperature Range (°C)	
BN-LG15Y0R7Mx	0.7	±20 %	8.0	0.027	470	3.7	Approx. 21	Approx. 80	-40 to +200	
BN-LG15Y1R0Mx	1.0	±20 %	8.0	0.038						
BN-LG15Y1R3Mx	1.3	±20 %	8.0	0.054						
BN-LG15Y1R5Mx	1.5	±20 %	8.0	0.058						
BN-LG15Y2R0Mx	2.0	±20 %	8.0	0.059						
BN-LG15Y2R5Mx	2.5	±20 %	8.0	0.074						
BN-LG15Y3R0Mx	3.0	±20 %	7.0	0.095						
BN-LG15Y4R0Mx	4.0	±20 %	6.0	0.106						
BN-LG15Y4R7Mx	4.7	±20 %	6.0	0.108						
BN-LG15Y5R0Mx	5.0	±20 %	6.0	0.111						
BN-LG15Y6R0Mx	6.0	±20 %	6.0	0.117	680	3.7	Approx. 21	Approx. 80	-40 to +200	
BN-LG15Y7R0Mx	7.0	±20 %	6.0	0.122						
BN-LG15Y8R0Mx	8.0	±20 %	6.0	0.126						
BN-LG15Y100Mx	10.0	±20 %	5.0	0.194						
BN-LG15Y120Mx	12.0	±20 %	5.0	0.202						
BN-LG15Y150Mx	15.0	±20 %	4.0	0.231						
BN-LG15Y160Mx	16.0	±20 %	4.0	0.252						
BN-LG15Y180Mx	18.0	±20 %	4.0	0.267						
BN-LG15Y200Mx	20.0	±20 %	4.0	0.285						
BN-LG15Y220Mx	22.0	±20 %	4.0	0.317						470
BN-LG15Y250Mx	25.0	±20 %	3.0	0.415	680					
BN-LG15Y300Mx	30.0	±20 %	3.0	0.449	470					
BN-LG15Y330Mx	33.0	±20 %	3.0	0.452	470					
BN-LG15Y400Mx	40.0	±20 %	3.0	0.500	1000					
BN-LG15Y470Mx	47.0	±20 %	3.0	0.524	680					
BN-LG15Y800Mx	80.0	±20 %	2.5	0.699	1000					
BN-LG15Y121Mx	120.0	±20 %	2.0	1.042	1000					
BN-LG15Y221Mx	220.0	±20 %	1.0	3.455	1500					

Notes:

"x" denotes lead type. "Y" = Kinked, "S" = Straight.

<sup>1</sup> ±15 % resistance tolerance is available upon request.



**WARNING Cancer and Reproductive Harm**  
[www.P65Warnings.ca.gov](http://www.P65Warnings.ca.gov)

\*RoHS Directive 2015/863, Mar 31, 2015 and Annex.

\*\*Bourns considers a product to be "halogen free" if (a) the Bromine (Br) content is 900 ppm or less; (b) the Chlorine (Cl) content is 900 ppm or less; and (c) the total Bromine (Br) and Chlorine (Cl) content is 1500 ppm or less.

"POWrTherm" is a trademark of Bourns, Inc.

Specifications are subject to change without notice.

Users should verify actual device performance in their specific applications.

The products described herein and this document are subject to specific legal disclaimers as set forth on the last page of this document, and at [www.bourns.com/docs/legal/disclaimer.pdf](http://www.bourns.com/docs/legal/disclaimer.pdf).

### Additional Information

Click these links for more information:

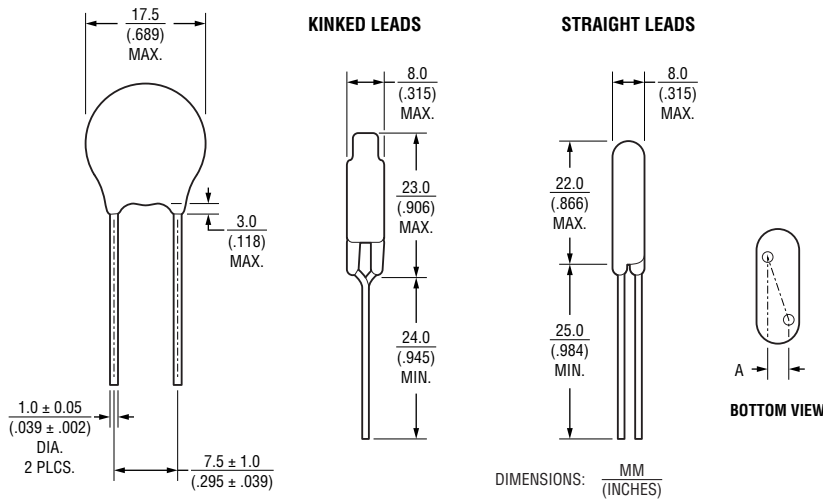


[PRODUCT SELECTOR](#) [TECHNICAL LIBRARY](#) [INVENTORY](#) [SAMPLES](#) [CONTACT](#)

# BN-LG15Y Series – Power NTC Thermistors for ICL

**BOURNS®**

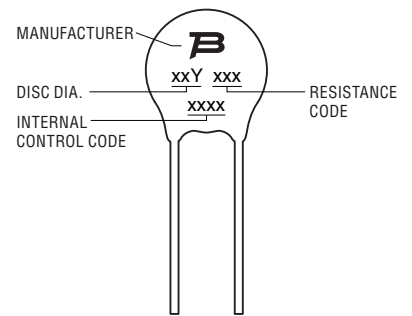
## Product Dimensions



## Agency Recognition

UL US ..... File number: [E307915](#)  
 CSA ..... File number: [R50571116](#)  
 (Test for EN 60539-1:2016)

## Typical Part Marking



## Environmental Characteristics

### Storage Conditions

Temperature ..... +15 °C to +40 °C  
 Humidity ..... 20 to 70 %  
 Moisture Sensitivity Level ..... 1

R <sub>25</sub> Ω	A dim.	R <sub>25</sub> Ω	A dim.	R <sub>25</sub> Ω	A dim.
0.7	$\frac{2.5 \pm 0.8}{(.098 \pm .031)}$	6.0	$\frac{2.6 \pm 0.8}{(.102 \pm .031)}$	25	$\frac{4.2 \pm 0.8}{(.165 \pm .031)}$
1.0		7.0	$\frac{2.7 \pm 0.8}{(.106 \pm .031)}$	30	$\frac{2.8 \pm 0.8}{(.110 \pm .031)}$
1.3		8.0		33	$\frac{3.3 \pm 0.8}{(.130 \pm .031)}$
1.5		10		40	$\frac{3.6 \pm 0.8}{(.142 \pm .031)}$
2.0	$\frac{2.8 \pm 0.8}{(.110 \pm .031)}$	12		$\frac{3.2 \pm 0.8}{(.126 \pm .031)}$	47
2.5	$\frac{2.5 \pm 0.8}{(.098 \pm .031)}$	15	80		$\frac{2.4 \pm 0.8}{(.094 \pm .031)}$
3.0	$\frac{2.7 \pm 0.8}{(.106 \pm .031)}$	16	120		$\frac{2.9 \pm 0.8}{(.114 \pm .031)}$
4.0	$\frac{2.6 \pm 0.8}{(.102 \pm .031)}$	18	$\frac{3.6 \pm 0.8}{(.142 \pm .031)}$		220
4.7		20	$\frac{3.6 \pm 0.8}{(.142 \pm .031)}$		
5.0		22	$\frac{3.8 \pm 0.8}{(.150 \pm .031)}$		

Specifications are subject to change without notice.

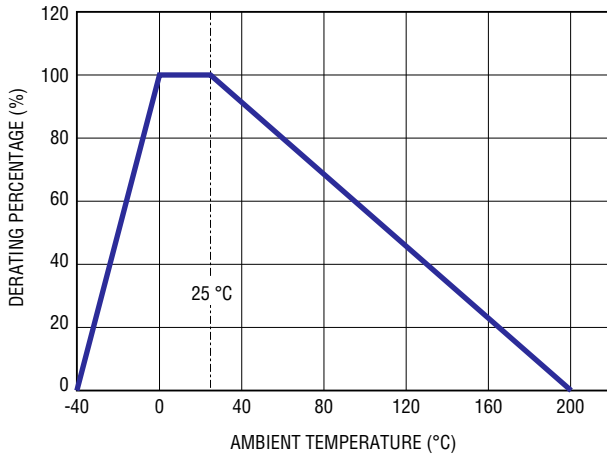
Users should verify actual device performance in their specific applications.

The products described herein and this document are subject to specific legal disclaimers as set forth on the last page of this document, and at [www.bourns.com/docs/legal/disclaimer.pdf](http://www.bourns.com/docs/legal/disclaimer.pdf).

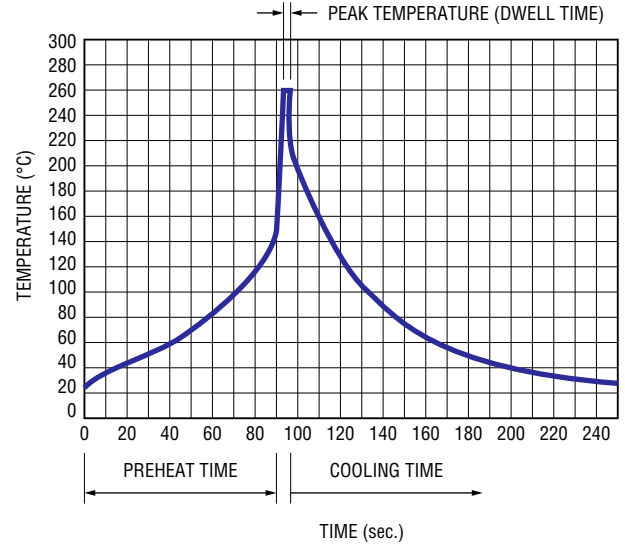
# BN-LG15Y Series – Power NTC Thermistors for ICL



## I<sub>max</sub> Derating vs. Ambient Temperature Curves



## Solder Reflow Recommendations



## Standard Packaging Quantities

Resistance R <sub>25</sub>	Packaging Type		
	Bulk pcs./box	Tape & Reel pcs./reel	Ammo Pack pcs./box
0R7 ~ 6R0	1,000	750	500
7R0	750		
8R0	1,000	500	
100 ~ 120		750	
150 ~ 160	1,000		
180 ~ 250		750	
300 ~ 330	1,000	500	
400 ~ 470	750		
800 ~ 121	1,000	750	
221	750	500	

Profile Feature	Pb-Free Assembly
Preheat Temperature Max. (T <sub>smax</sub> )	150 °C
Time (t <sub>s</sub> ) from (T <sub>smin</sub> to T <sub>smax</sub> )	60~90 seconds
Solder Pot Temperature	260 °C max.
Solder Dwell Time	2-3 seconds

## How to Order

**BN - LG 15Y 2R5 M Y B**

POWrTherm™ Product Designator \_\_\_\_\_

Series \_\_\_\_\_  
 LG = For Inrush Current Limiting (ICL)

Disc Diameter \_\_\_\_\_  
 15Y = 15 mm

Resistance @ 25 °C \_\_\_\_\_  
 2R5 = 2.5 Ω      100 = 10 Ω      121 = 120 Ω

Tolerance of R<sub>25</sub> \_\_\_\_\_  
 L = ±15 %      M = ±20 %

Lead Type \_\_\_\_\_  
 Y = Kinked      S = Straight

Packaging Type \_\_\_\_\_  
 B = Bulk      R = Tape & Reel      M = Ammo Pack

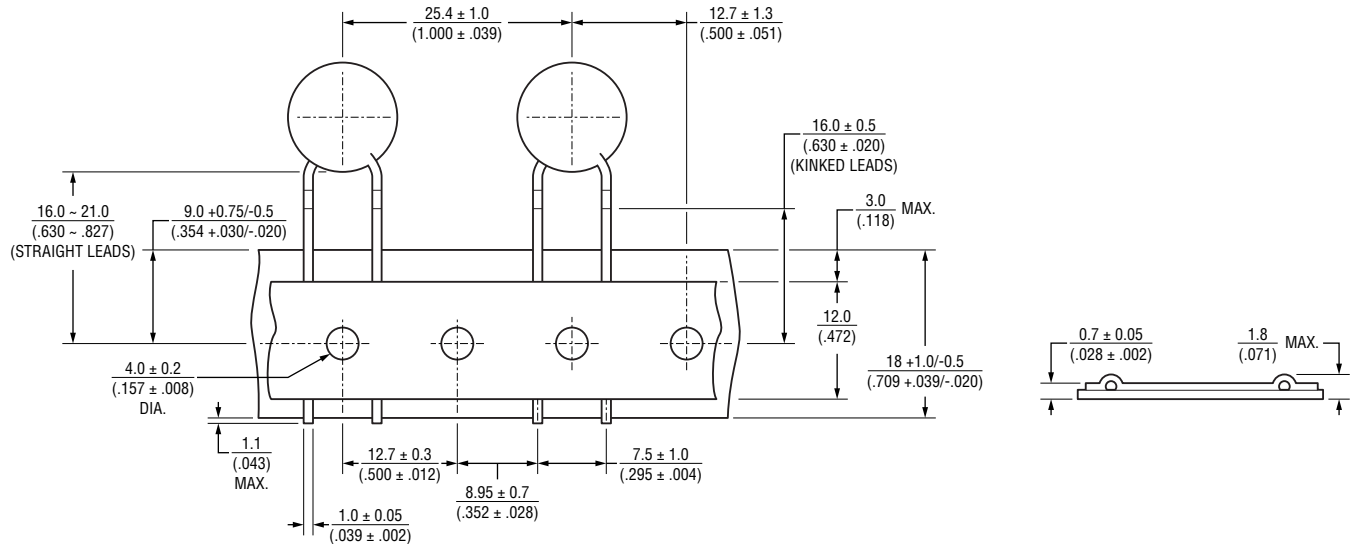
Specifications are subject to change without notice. Users should verify actual device performance in their specific applications. The products described herein and this document are subject to specific legal disclaimers as set forth on the last page of this document, and at [www.bourns.com/docs/legal/disclaimer.pdf](http://www.bourns.com/docs/legal/disclaimer.pdf).

# BN-LG15Y Series – Power NTC Thermistors for ICL

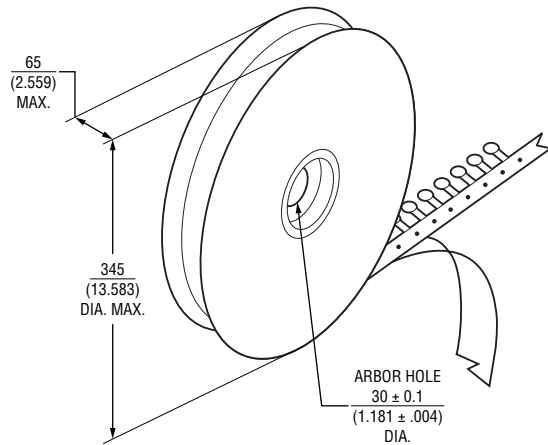
**BOURNS®**

## Packaging Specifications

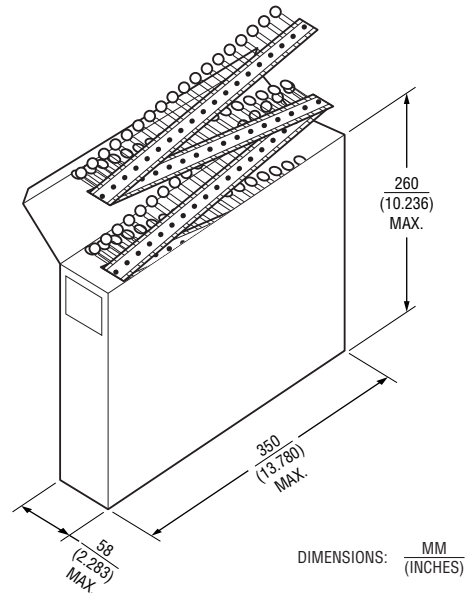
Tape



Reel



Ammo Pack



DIMENSIONS:  $\frac{\text{MM}}{\text{(INCHES)}}$

**BOURNS®**

Asia-Pacific: Tel: +886-2 2562-4117 • Email: [asiacus@bourns.com](mailto:asiacus@bourns.com)

EMEA: Tel: +36 88 885 877 • Email: [eurocus@bourns.com](mailto:eurocus@bourns.com)

The Americas: Tel: +1-951 781-5500 • Email: [americus@bourns.com](mailto:americus@bourns.com)

[www.bourns.com](http://www.bourns.com)

05/23

Specifications are subject to change without notice.

Users should verify actual device performance in their specific applications.

The products described herein and this document are subject to specific legal disclaimers as set forth on the last page of this document, and at [www.bourns.com/docs/legal/disclaimer.pdf](http://www.bourns.com/docs/legal/disclaimer.pdf).