

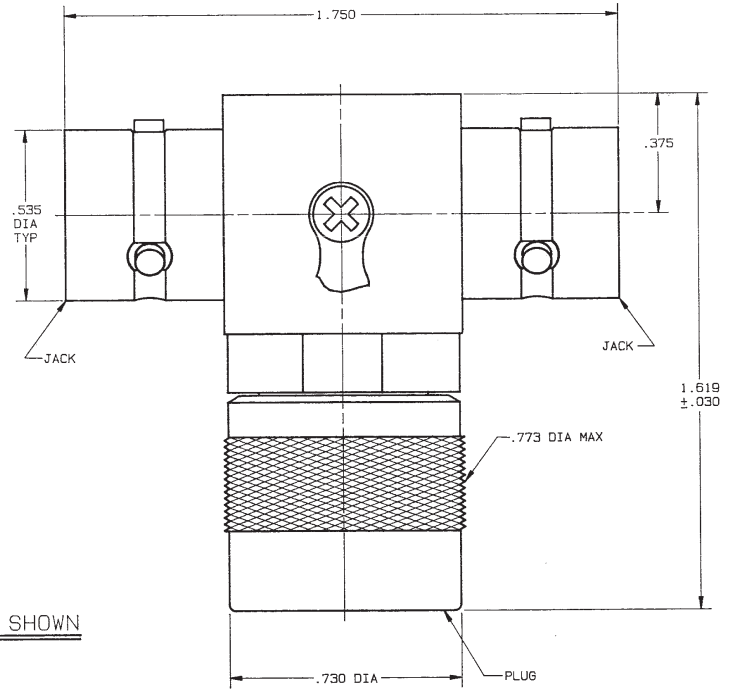
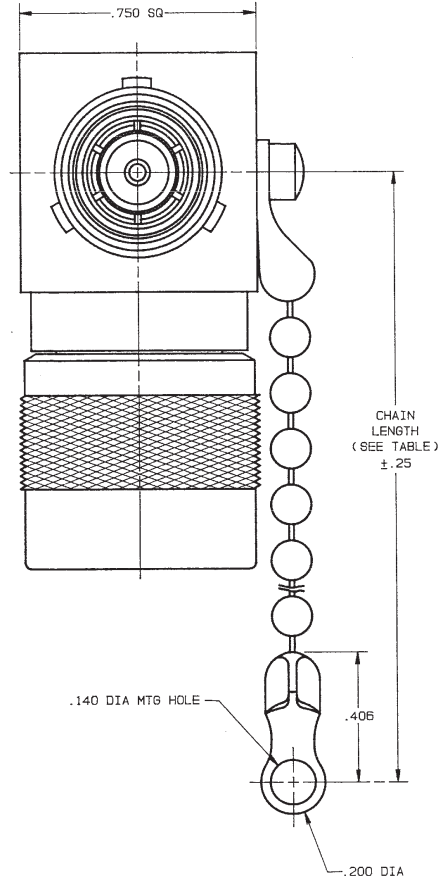
RED INDICATES ORIGINAL

DATA CONTAINED IN THIS DOCUMENT IS PROPRIETARY TO TROMPETER ELECTRONICS, INC. AND SHALL NOT BE DISCLOSED, COPIED OR USED FOR REPRODUCTION OR MANUFACTURE WITHOUT EXPRESS WRITTEN PERMISSION.

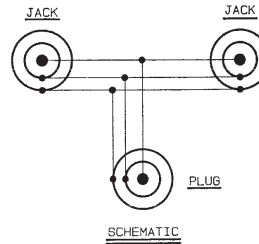
DISK #
H8

REV		EO	DESCRIPTION	DWN	APPROVED	DATE
B	8521		MODEL NO WAS BN83; ADDED DIMENSIONS; DWG NO WAS 3000-0266; REDRAWN	DKC	<i>DKC</i>	7-25-87

DASH NO	MODEL NO	DESCRIPTION
-1	BN833-1	NO CHAIN
-2		NOT APPLICABLE
THRU -5		NOT APPLICABLE
-6	BN833-6	6.0 BRASS CHAIN
-7	BN833-7	6.0 NYLON CHAIN



-6 SHOWN



INCH	MM	INCH	MM
.005	0.13	.535	13.59
.030	0.76	.730	18.54
.140	3.56	.750	19.05
.200	5.08	.773	19.63
.25	6.35	1.619	41.12
.375	9.52	1.750	44.45
.406	10.31	6.0	152.40

3. CONCENTRIC "C" TYPE TWINAX / TRIAX 3-LUG BAYONET TEE
2. FINISH: TFS-1A (NICKEL)
1. ALL DIM ARE IN INCHES

QTY	DESCRIPTION	PART NUMBER	ITEM
TOL UNLESS SPECIFIED .XX ± .XXX ± .005 XXXX ANGLES ±	TROMPETER ELECTRONICS, INC.	BN833	
DWN DKC 6-8-89	MATERIAL	CODE IDENT	DRAWING NO.
CHK <i>DH</i> 7/11/89		14949	3-0266
ENGR <i>DH</i> 7/20/89			B
NEXT ASSY	APPR	SCALE 4/1	DATE 8-13-84 SHEET 1 OF 2