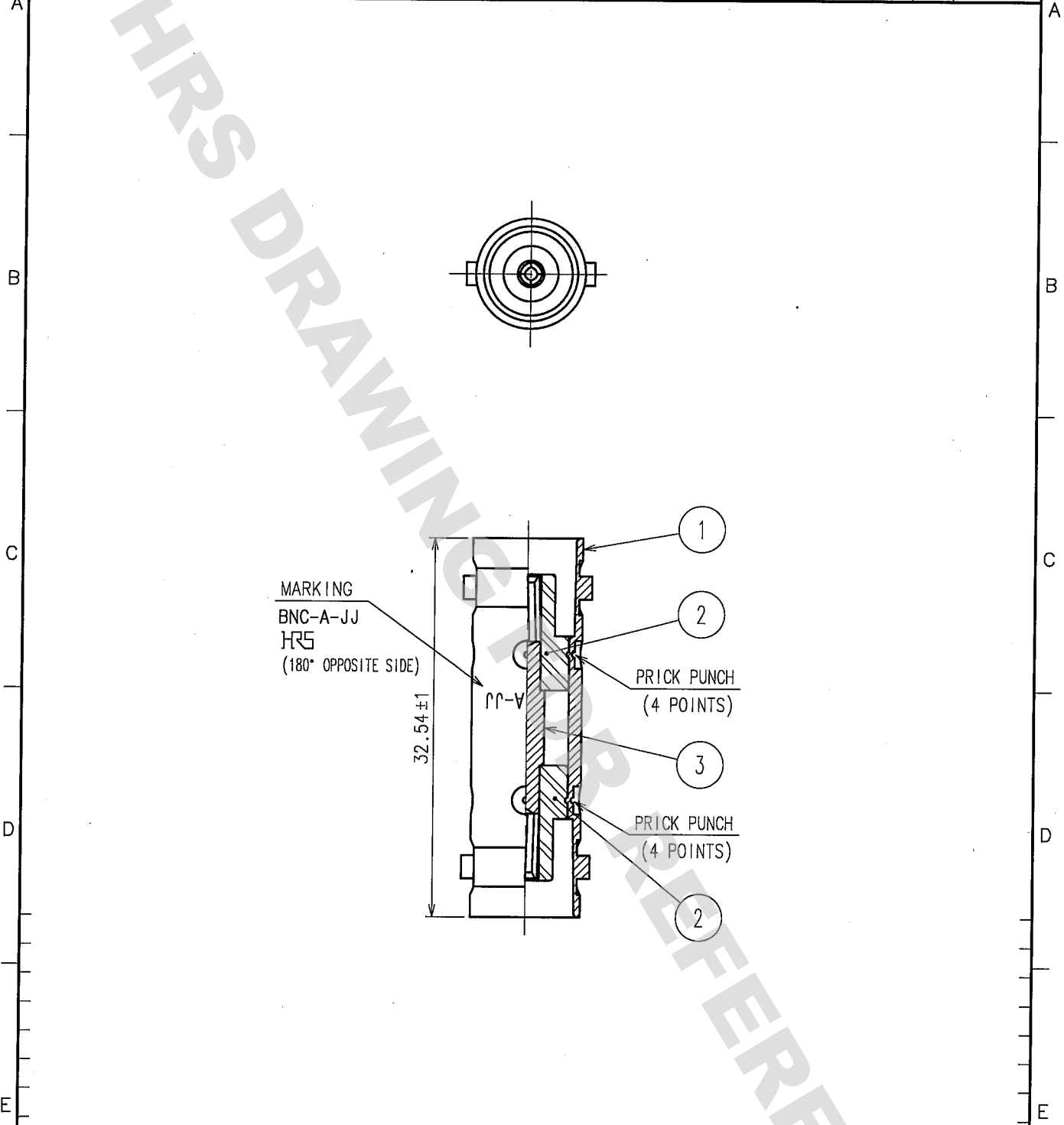


DRAWING FOR REFERENCE: This is subject to change without notice
08/11/2012

1		2			3			4		
COUNT	DESCRIPTION OF REVISIONS	BY	CHKD	DATE	COUNT	DESCRIPTION OF REVISIONS	BY	CHKD	DATE	
△					△				..	
△					△				..	
△					△				..	



2	PTFE						
1	BRASS	SILVER PLATING	3	BERYLLIUM COPPER	SILVER PLATING		
NO.	MATERIAL	FINISH, REMARKS	NO.	MATERIAL	FINISH, REMARKS		
CODE NO. (OLD) CL			DRAWN	DESIGNED	CHECKED	APPROVED	RELEASED
RoHS COMPLIANT			<i>Y. Sugiyama</i>	<i>T. Katayama</i>	<i>K. Shimizu</i>	<i>I. Mitani</i>	
			06.07.27	06.07.31	06.07.31	06.08.01	
DRAWING NO. EDC4-000917-40			PART NO. BNC-A-JJ(40)				
SCALE 2 : 1			CODE NO. CL302-0039-3-40				
UNITS mm			HRS HIROSE ELECTRIC CO., LTD.				

TO
RF