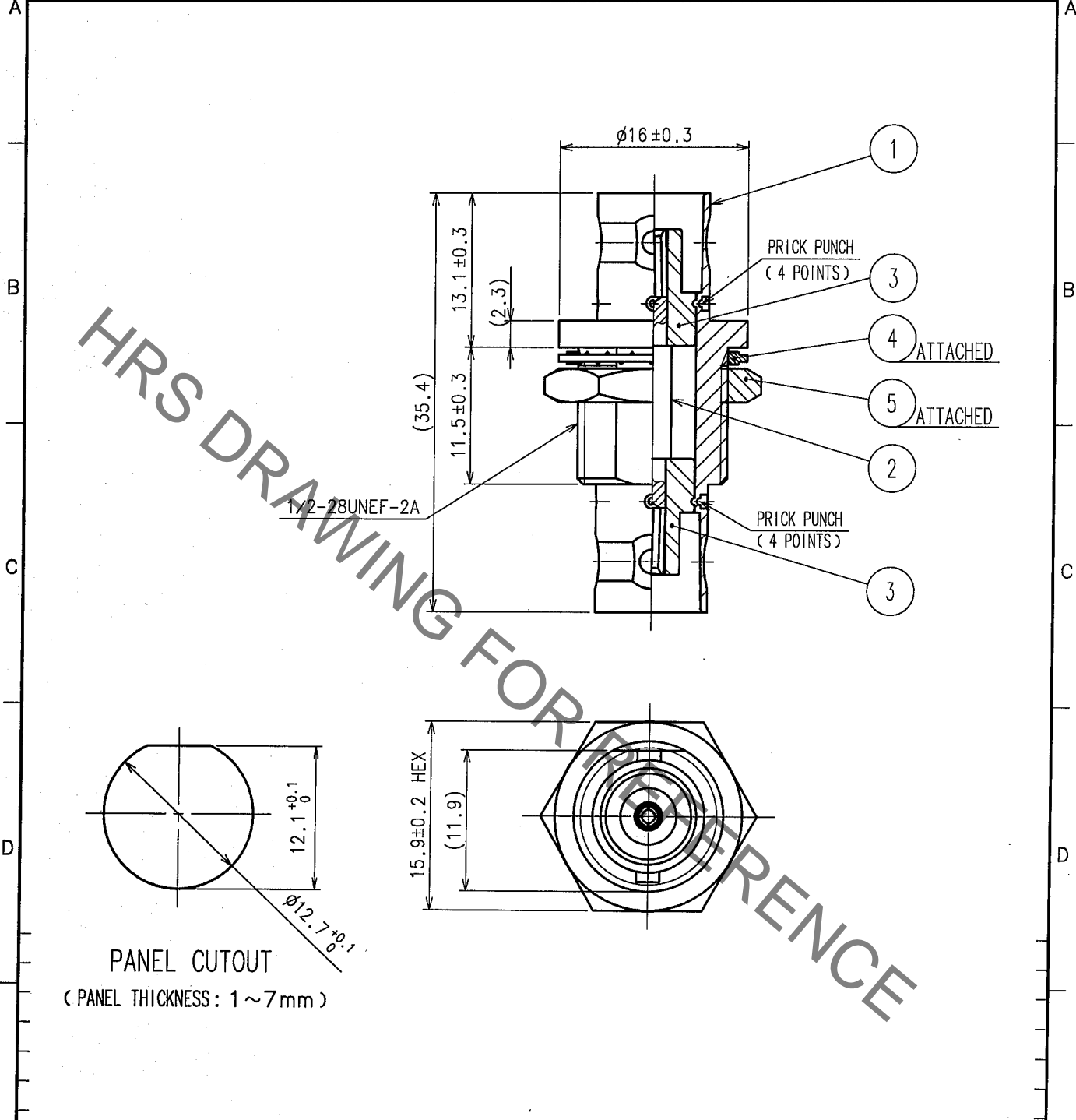


Jul.1.2021 Copyright 2021 HIROSE ELECTRIC CO., LTD. All Rights Reserved.
 In case of consideration for using Automotive equipment / device which demand high reliability, kindly contact our sales window correspondents.

1		2			3			4		
COUNT	DESCRIPTION OF REVISIONS	BY	CHKD	DATE	COUNT	DESCRIPTION OF REVISIONS	BY	CHKD	DATE	
△					△					
△					△					
△					△					



PANEL CUTOUT
 (PANEL THICKNESS: 1~7mm)

NO.	MATERIAL	FINISH, REMARKS	NO.	MATERIAL	FINISH, REMARKS
3	PTFE		5	BRASS	NICKEL PLATING
2	BERYLLIUM COPPER	GOLD PLATING	4	STEEL	NICKEL PLATING
1	BRASS	NICKEL PLATING			

CODE NO. (OLD)		DRAWN	DESIGNED	CHECKED	APPROVED	RELEASED
CL		<i>Y. Suoizama</i>	<i>T. Katayama</i>	<i>H. Shimizu</i>	<i>S. Mitani</i>	
RoHS COMPLIANT		'06.05.29	'06.05.29	'06.05.29	'06.05.30	

 SCALE 2 : 1 UNITS mm	DRAWING NO.	PART NO.	CODE NO. CL302-0378-9-40
	EDC4-132559-40	BNC-BPA-JJ(40)	
 HIROSE ELECTRIC CO., LTD.		1/1	

TO
RF