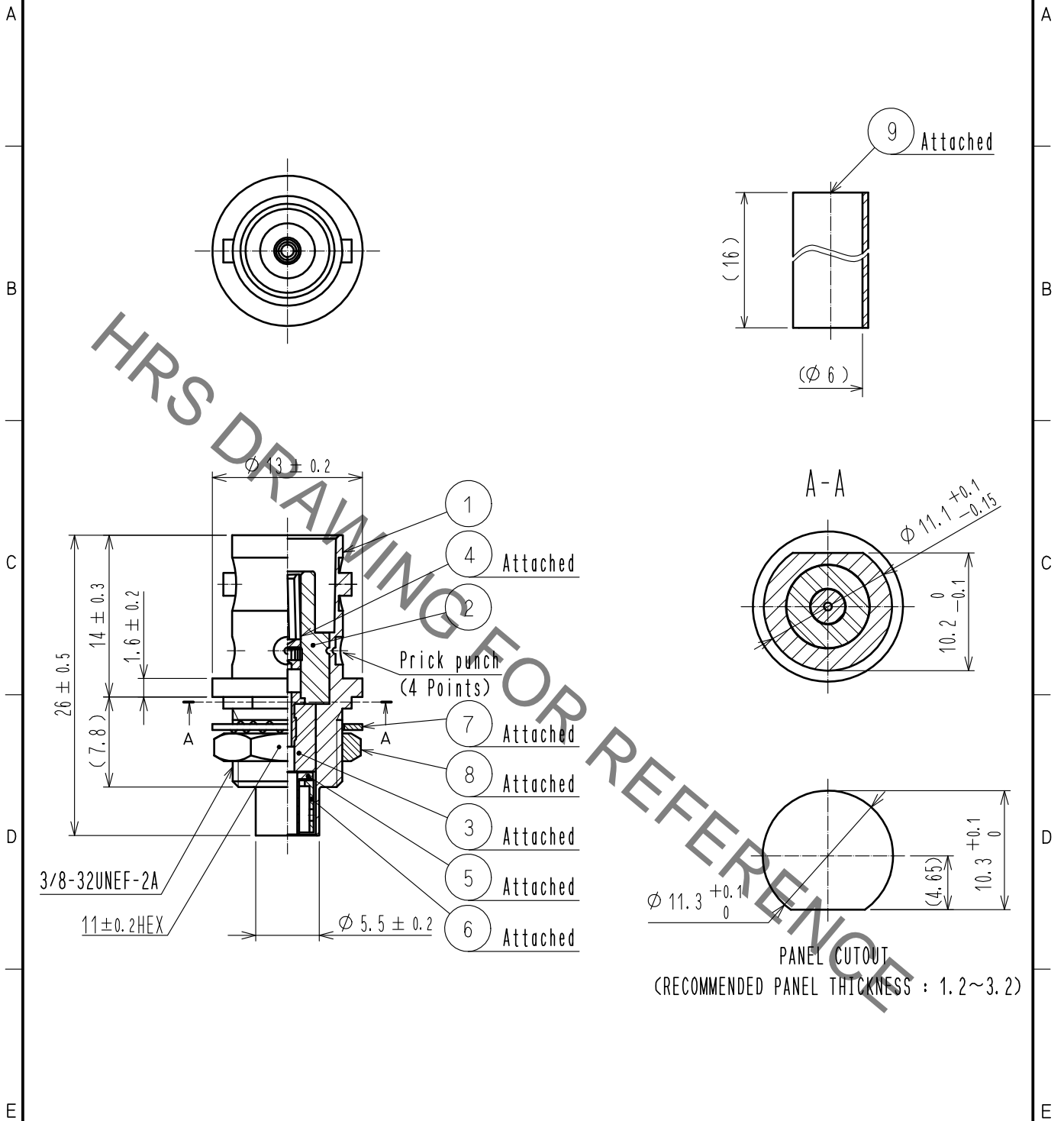


Mar.1.2022 Copyright 2022 HIROSE ELECTRIC CO., LTD. All Rights Reserved.
 In case of consideration for using Automotive equipment / device which demand high reliability, kindly contact our sales window correspondents.

ASSEMBLY TOOL: APPLICABLE OUTER CONDUCTOR CRIMPING TOOL HT303/HRM-T-4 (58A/U HOLE)



5	BRASS	NICKEL PLATING					
4	BERYLLIUM COPPER	GOLD PLATING	9	POLYOLEFIN	HEAT SHRINK TUBING (BLACK)		
3	PTFE		8	BRASS	NICKEL PLATING		
2	PTFE		7	STEEL	NICKEL PLATING		
1	BRASS	NICKEL PLATING	6	BRASS	NICKEL PLATING		
NO.	MATERIAL	FINISH .	REMARKS	NO.	MATERIAL	FINISH .	REMARKS

UNITS mm		SCALE 2 : 1	COUNT 	DESCRIPTION OF REVISIONS	DESIGNED	CHECKED	DATE
HRS HIROSE ELECTRIC CO., LTD.		APPROVED : NK. NINOMIYA 20211115	DRAWING NO. EDC-310336-00-00				
		CHECKED : NK. NINOMIYA 20211115	PART NO. BNC-BPJ-1.5DW(B)				
		DESIGNED : MT. KANEKO 20211112	CODE NO. CL0302-0411-2-00				
		DRAWN : NK. OOSHIMA 20211112		1/1			