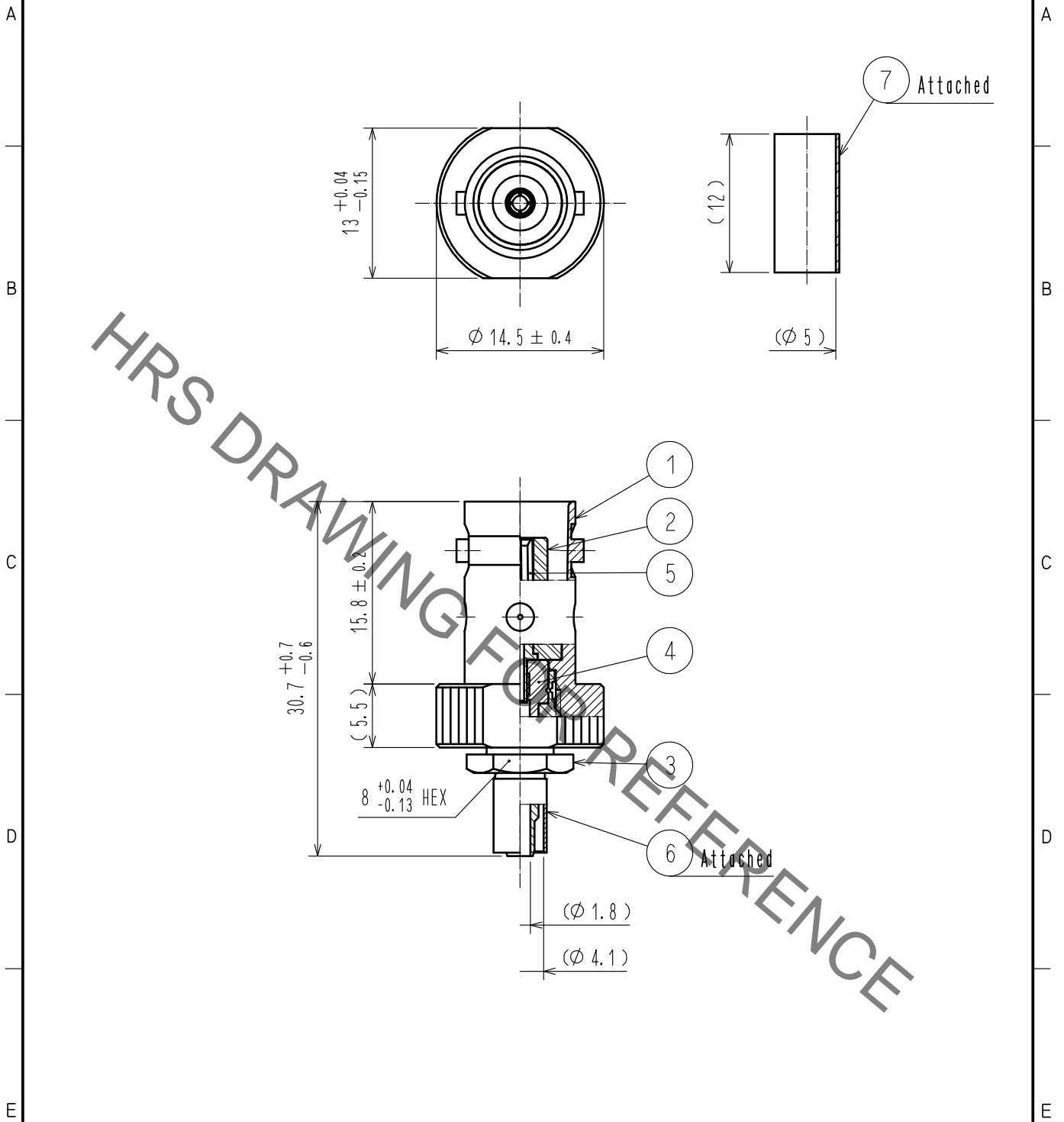


Mar.1.2022 Copyright 2022 HIROSE ELECTRIC CO., LTD. All Rights Reserved.
 In case of consideration for using Automotive equipment / device which demand high reliability, kindly contact our sales window correspondents.

[ASSEMBLY TOOL] APPLICABLE OUTER CONDUCTOR CRIMPING TOOL : HT303/PO-P-2-T



4	PTFE			7	POLYOLEFIN	HEAT SHRINK TUBING (BLACK)	
3	BRASS	NICKEL PLATING		6	COPPER	NICKEL PLATING	
2	PTFE			5	BERYLLIUM COPPER	GOLD PLATING	
1	BRASS	NICKEL PLATING					
NO.	MATERIAL	FINISH	REMARKS	NO.	MATERIAL	FINISH	REMARKS

UNITS mm		SCALE 2 : 1	COUNT 	DESCRIPTION OF REVISIONS	DESIGNED	CHECKED	DATE
-------------	--	----------------	-----------	--------------------------	----------	---------	------

HIROSE ELECTRIC CO., LTD.	APPROVED : NK. NINOMIYA	20211108	DRAWING NO.	EDC-040338-41-00
	CHECKED : NK. NINOMIYA	20211108	PART NO.	BNC-J-1.5WCR(41)
	DESIGNED : MT. KANEKO	20211105	CODE NO.	CL0302-0297-9-41
	DRAWN : YK. MITSUISHI	20211105		1/1