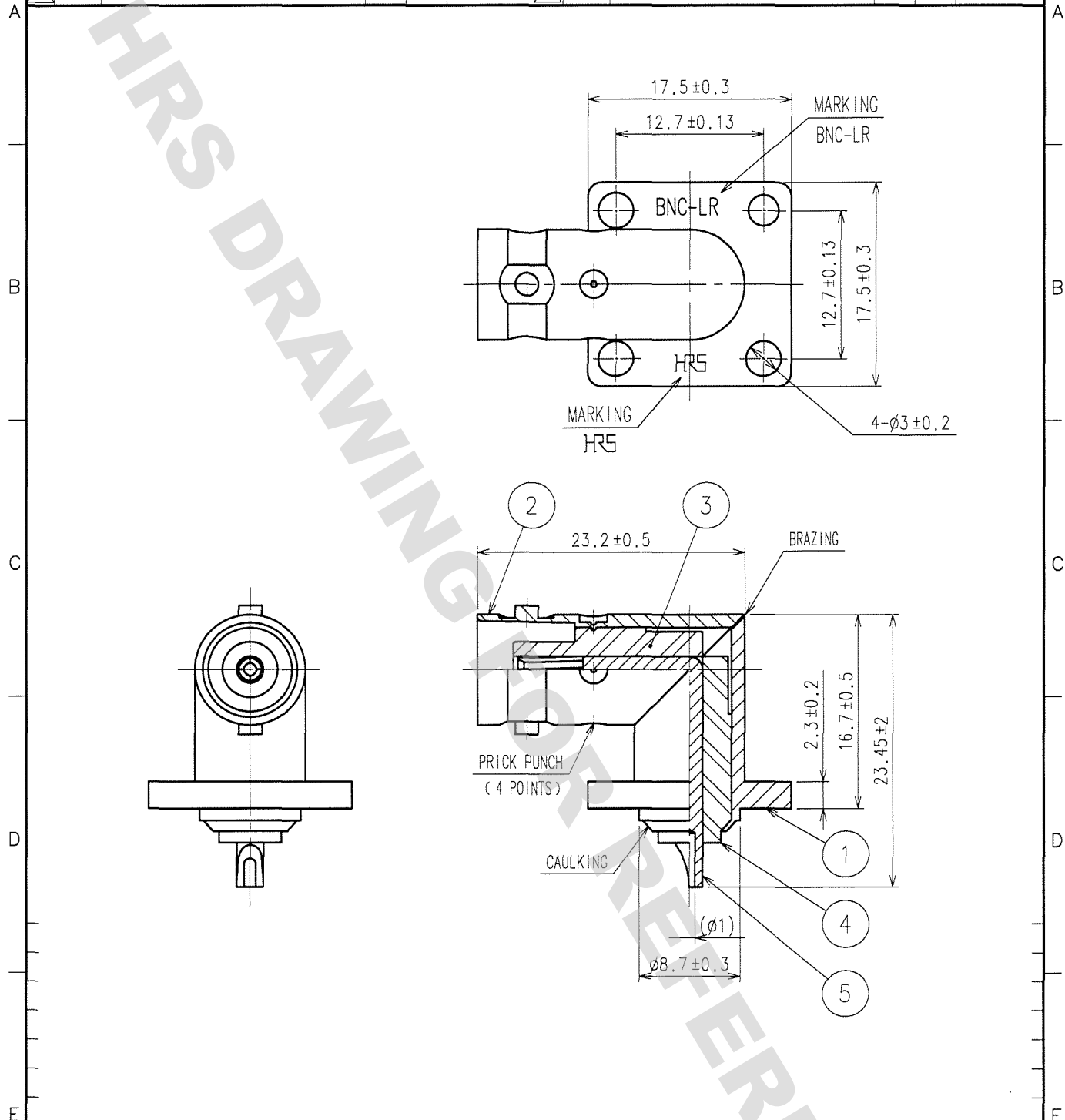


DRAWING FOR REFERENCE: This is subject to change without notice  
08/11/2012

1		2			3			4		
COUNT	DESCRIPTION OF REVISIONS	BY	CHKD	DATE	COUNT	DESCRIPTION OF REVISIONS	BY	CHKD	DATE	
△				..	△				..	
△					△				..	
△					△				..	



3	PTFE			5	BERYLLIUM COPPER	SILVER PLATING
2	BRASS	SILVER PLATING		4	PTFE	
1	BRASS	SILVER PLATING				
NO.	MATERIAL	FINISH, REMARKS		NO.	MATERIAL	FINISH, REMARKS

CODE NO. (OLD) CL		DRAWN <i>H. Fukeuchi</i> '08.03.11	DESIGNED <i>H. Fukeuchi</i> '08.03.11	CHECKED <i>T. Katayama</i> '08.03.11	APPROVED <i>M. Yamane</i> '08.03.11	RELEASED
RoHS COMPLIANT		DRAWING NO. EDC4-000840-40		PART NO. BNC-LR(40)		
SCALE 2 : 1		UNITS mm		CODE NO. CL302-0020-5-40		1 1
		HIROSE ELECTRIC CO., LTD.				

TO
RF