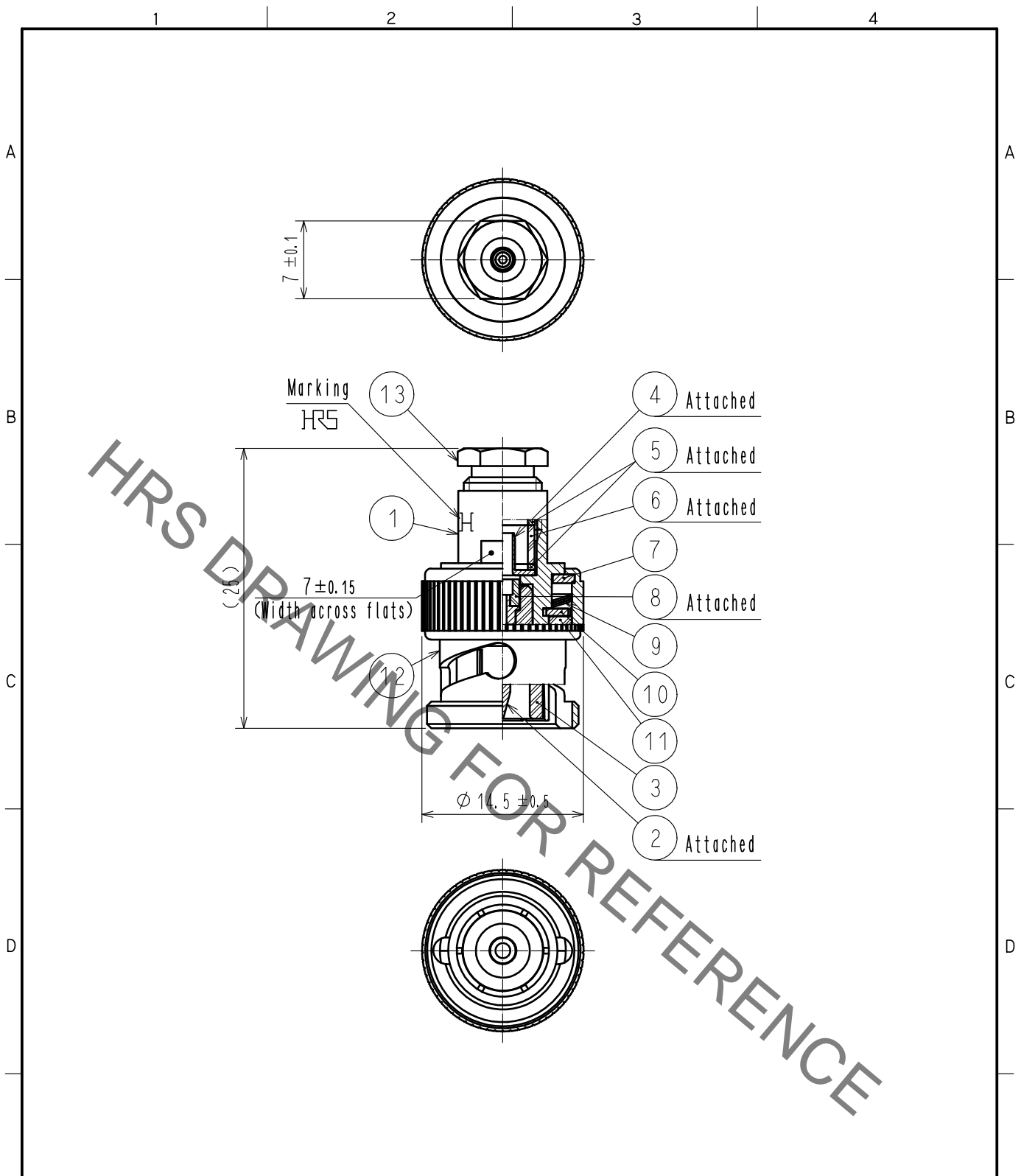


Mar.1.2022 Copyright 2022 HIROSE ELECTRIC CO., LTD. All Rights Reserved.
 In case of consideration for using Automotive equipment / device which demand high reliability, kindly contact our sales window correspondents.



7	BRASS	NICKEL PLATING					
6	SILICONE RUBBER		13	BRASS	NICKEL PLATING		
5	BRASS	NICKEL PLATING	12	BRASS	NICKEL PLATING		
4	BRASS	NICKEL PLATING	11	SILICONE RUBBER			
3	PTFE		10	BRASS	NICKEL PLATING		
2	BRASS	GOLD PLATING	9	BERYLLIUM COPPER	SILVER PLATING		
1	BRASS	NICKEL PLATING	8	PTFE			
NO.	MATERIAL	FINISH .	REMARKS	NO.	MATERIAL	FINISH .	REMARKS

UNITS mm		SCALE 2 : 1	COUNT 	DESCRIPTION OF REVISIONS	DESIGNED	CHECKED	DATE
HIROSE ELECTRIC CO., LTD.		APPROVED : NK. NINOMIYA	20211108	DRAWING NO.	EDC-025408-41-00		
		CHECKED : NK. NINOMIYA	20211108	PART NO.	BNC-P-1.5W(41)		
		DESIGNED : MT. KANEKO	20211105	CODE NO.	CL0302-0299-4-41		
		DRAWN : YK. MITSUISHI	20211105		1/1		