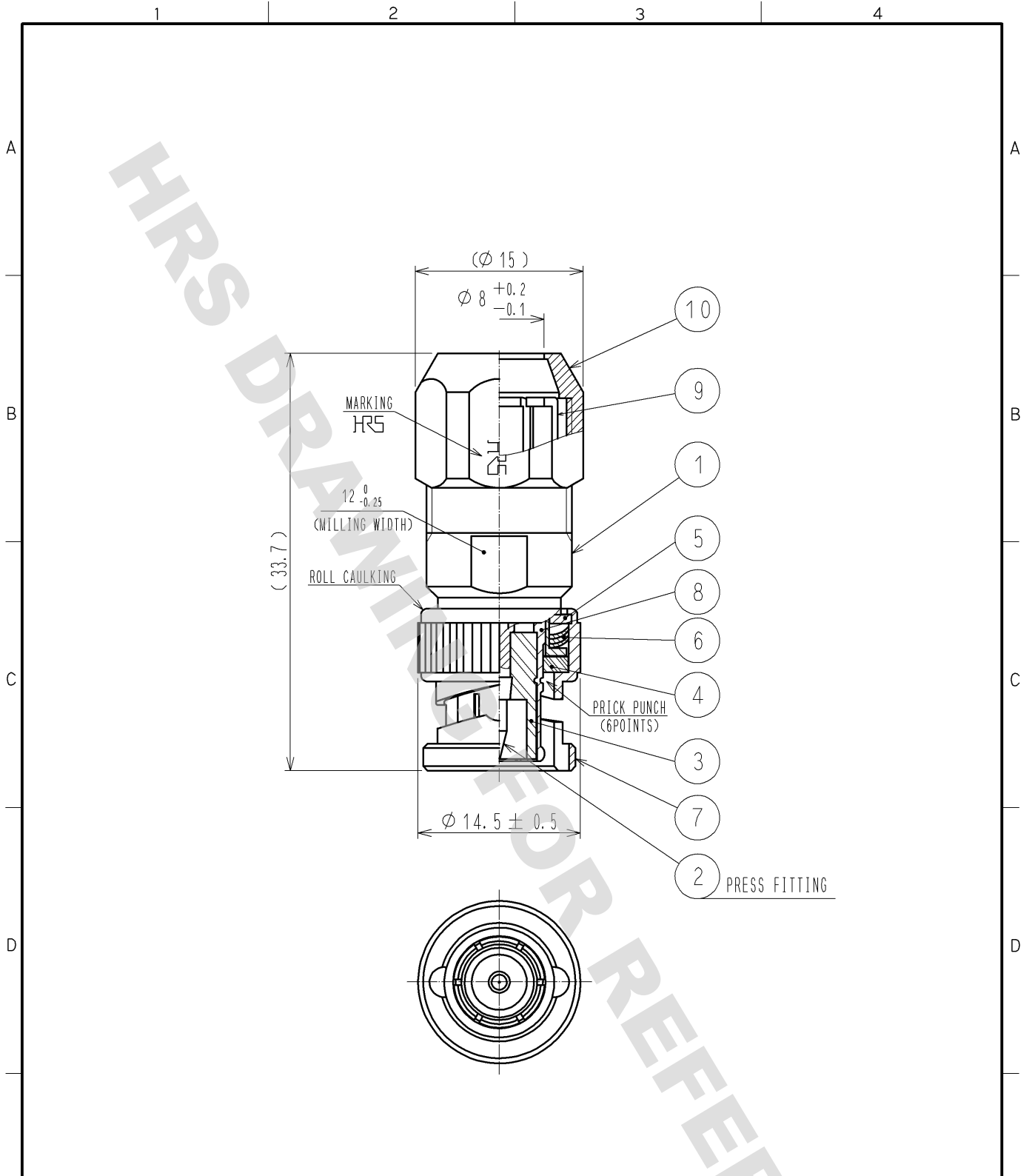


DRAWING FOR REFERENCE: This is subject to change without notice  
08/11/2012



RoHS COMPLIANT

5	BRASS	NICKEL PLATING	10	BRASS	NICKEL PLATING
4	SILICONE RUBBER		9	BRASS	NICKEL PLATING
3	PTFE		8	BRASS	NICKEL PLATING
2	BRASS	SILVER PLATING	7	BRASS	NICKEL PLATING
1	BRASS	NICKEL PLATING	6	BERYLLIUM COPPER	SILVER PLATING
NO.	MATERIAL	FINISH , REMARKS	NO.	MATERIAL	FINISH , REMARKS

UNITS mm		SCALE 2 : 1	COUNT 	DESCRIPTION OF REVISIONS	DESIGNED	CHECKED	DATE
HIROSE ELECTRIC CO., LTD.				APPROVED : TS. NOBE 11. 04. 08 CHECKED : NK. NINOMIYA 11. 04. 07 DESIGNED : YI. FUNADA 11. 04. 06 DRAWN : YI. FUNADA 11. 04. 06	DRAWING NO. EDC4-006775-41 PART NO. BNC-P-5DV-SA(41) CODE NO. CL302-0218-2-41		