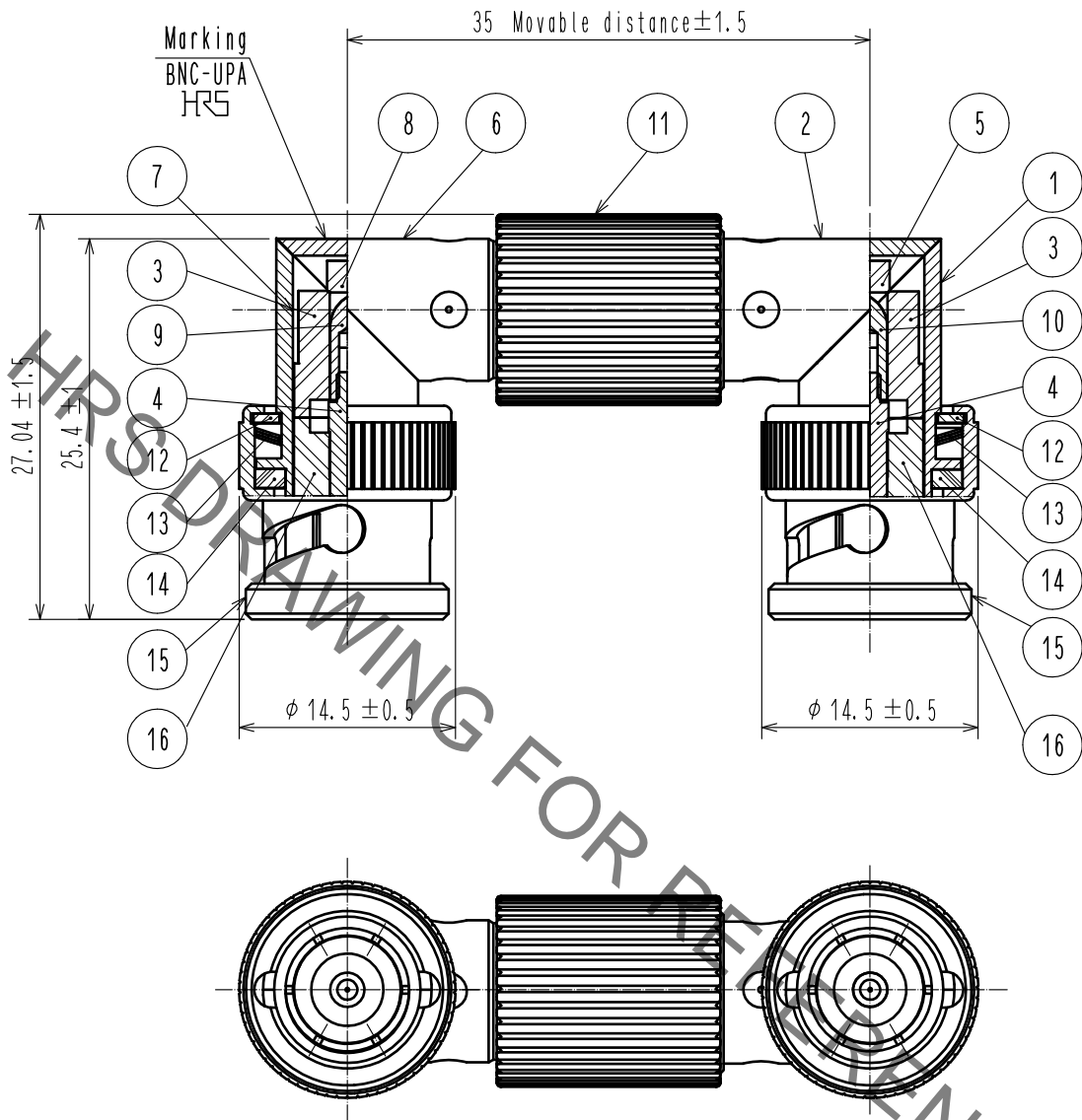


Jan.1.2022 Copyright 2022 HIROSE ELECTRIC CO., LTD. All Rights Reserved.
In case of consideration for using Automotive equipment / device which demand high reliability, kindly contact our sales window correspondents.

Redraw



8	PTFE		16	PTFE	
7	BRASS	NICKEL PLATING	15	BRASS	NICKEL PLATING
6	BRASS	NICKEL PLATING	14	SILICONE RUBBER	
5	PTFE		13	BERYLLIUM COPPER	SILVER PLATING
4	BRASS	GOLD PLATING	12	BRASS	NICKEL PLATING
3	PTFE		11	BRASS	NICKEL PLATING
2	BRASS	NICKEL PLATING	10	BERYLLIUM COPPER	GOLD PLATING
1	BRASS	NICKEL PLATING	9	BRASS	GOLD PLATING
NO.	MATERIAL	FINISH, REMARKS	NO.	MATERIAL	FINISH, REMARKS

UNITS mm		SCALE 2 : 1	COUNT 1	DESCRIPTION OF REVISIONS DIS-D-00003490	DESIGNED YI. FUNADA	CHECKED TO. KATAYAMA	DATE 18. 09. 12
HRS HIROSE ELECTRIC CO., LTD. APPROVED : TS. NOBE 11. 09. 30 CHECKED : NK. NINOMIYA 11. 09. 30 DESIGNED : YI. FUNADA 11. 09. 27 DRAWN : YI. FUNADA 11. 09. 27				DRAWING NO. EDC-003687-45-45 PART NO. BNC-UPA(45) CODE NO. CL302-0167-3-45			
							1/1