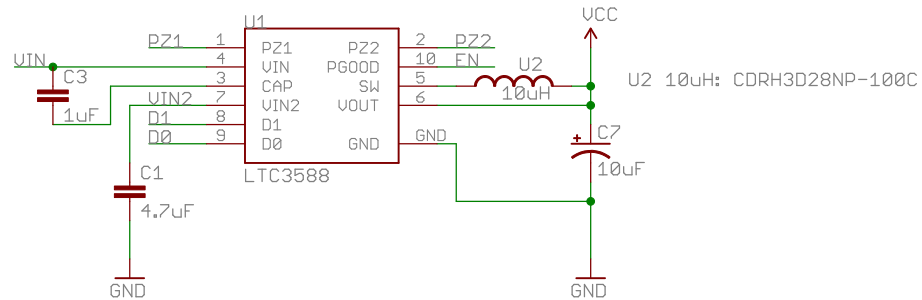
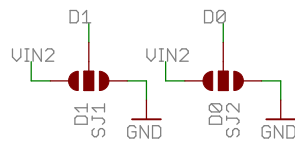


PZ1 and PZ2 are rectified inputs for VIN
See datasheet for electrical specs for VIN



On the board 1 is VIN and 0 is GND
0 is default



TITLE: energy_harvester-v12		SFE
Document Number:		REV:
Date: 6/4/2010 10:34:53 AM	Sheet: 1/1	