

## RF-Hardened, Low-Noise Microphone with Bottom Port and Analog Output

### GENERAL DESCRIPTION

The ICS-40180\* is an analog MEMS microphone with high SNR and enhanced RF immunity. The ICS-40180 includes a MEMS microphone element, an impedance converter, and an output amplifier.

Other high-performance specifications include a linear response up to 124 dB SPL, tight  $\pm 1$  dB sensitivity tolerance, and enhanced immunity to both radiated and conducted RF interference.

The ICS-40180 is available in a small, 3.5 mm  $\times$  2.65 mm  $\times$  0.98 mm, surface-mount package.

*\*Protected by U.S. Patents 7,449,356; 7,825,484; 7,885,423; and 7,961,897. Other patents are pending.*

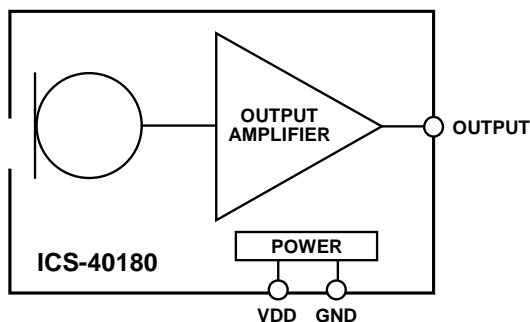
### APPLICATIONS

- Smartphones
- Tablet Computers
- Wearable Devices
- Still and Video Cameras
- Bluetooth Headsets
- Notebook PCs
- Security and Surveillance

### FEATURES

- High 65 dBA SNR
- $-38$  dBV Sensitivity
- $\pm 1$  dB Sensitivity Tolerance
- Non-Inverted Signal Output
- Extended Frequency Response from 60 Hz to 20 kHz
- Enhanced RF Immunity
- 124 dB SPL Acoustic Overload Point
- Low Current Consumption: 190  $\mu$ A
- Single-Ended Analog Output
- High  $-78$  dBV PSR
- 3.5  $\times$  2.65  $\times$  0.98 mm Surface-Mount Package
- Compatible with Sn/Pb and Pb-Free Solder Processes
- RoHS/WEEE Compliant

### FUNCTIONAL BLOCK DIAGRAM



### ORDERING INFORMATION

PART	TEMP RANGE	PACKAGING
ICS-40180	$-40^{\circ}\text{C}$ to $+85^{\circ}\text{C}$	13" Tape and Reel
EV_IC3-40180-FX	—	

**TABLE OF CONTENTS**

General Description .....	1
Applications .....	1
Features .....	1
Functional Block Diagram .....	1
Ordering Information.....	1
Table of Contents.....	2
Specifications .....	3
Table 1. Electrical Characteristics .....	3
Absolute Maximum Ratings.....	4
Table 2. Absolute Maximum Ratings .....	4
ESD Caution .....	4
Soldering Profile.....	5
Table 3. Recommended Soldering Profile*.....	5
Pin Configuration And Function Descriptions.....	6
Table 4. Pin Function Descriptions.....	6
Typical Performance Characteristics.....	7
Applications Information .....	8
Codec Connection.....	8
Supporting Documents .....	9
Evaluation Board User Guide.....	9
Application Notes .....	9
PCB Design And Land Pattern Layout .....	10
PCB Material And Thickness .....	10
Handling Instructions.....	11
Pick And Place Equipment .....	11
Reflow Solder.....	11
Board Wash.....	11
Outline Dimensions.....	12
Ordering Guide .....	12
Revision History .....	13
Compliance Declaration Disclaimer .....	14

**SPECIFICATIONS**

**TABLE 1. ELECTRICAL CHARACTERISTICS**

T<sub>A</sub> = 25°C, V<sub>DD</sub> = 1.5 to 3.63 V, unless otherwise noted. Typical specifications are not guaranteed.

PARAMETER	CONDITIONS	MIN	TYP	MAX	UNITS	NOTES
<b>PERFORMANCE</b>						
Directionality		Omni				
Output Polarity		Non-Inverted				
Sensitivity	1 kHz, 94 dB SPL	-39	-38	-37	dBV	
Signal-to-Noise Ratio (SNR)	20 Hz to 20 kHz, A-weighted		65		dBA	
Equivalent Input Noise (EIN)	20 Hz to 20 kHz, A-weighted		29		dBA SPL	
Dynamic Range	Derived from EIN and maximum acoustic input		95		dB	
Frequency Response	Low frequency -3 dB point		60		Hz	1
	High frequency -3 dB point		>20		kHz	
Total Harmonic Distortion (THD)	105 dB SPL		0.3	1	%	
Power-Supply Rejection (PSR)	217 Hz, 100 mVp-p square wave superimposed on V <sub>DD</sub> = 1.8 V		-78		dBV	
Power Supply Rejection Ratio (PSRR)	1 kHz, 100 mVp-p sine wave superimposed on V <sub>DD</sub> = 1.8 V		-46		dB	
Acoustic Overload Point	10% THD		124		dB SPL	
<b>POWER SUPPLY</b>						
Supply Voltage (V <sub>DD</sub> )		1.5		3.63	V	
Supply Current (I <sub>s</sub> )	V <sub>DD</sub> = 1.8 V		190	240	μA	
	V <sub>DD</sub> = 3.3 V		210	260	μA	
<b>OUTPUT CHARACTERISTICS</b>						
Output Impedance			350		Ω	
Output DC Offset			0.7		V	
Maximum Output Voltage	124 dB SPL input		0.398		V rms	
Noise Floor	20 Hz to 20 kHz, A-weighted, rms		-103		dBV	

**Note 1:** See Figure 3 and Figure 4.

**ABSOLUTE MAXIMUM RATINGS**

Stress above those listed as Absolute Maximum Ratings may cause permanent damage to the device. These are stress ratings only and functional operation of the device at these conditions is not implied. Exposure to the absolute maximum ratings conditions for extended periods may affect device reliability.

**TABLE 2. ABSOLUTE MAXIMUM RATINGS**

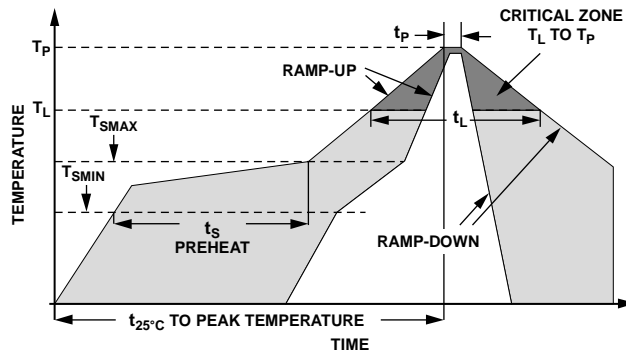
PARAMETER	RATING
Supply Voltage ( $V_{DD}$ )	-0.3 V to +3.63 V
Sound Pressure Level	160 dB
Mechanical Shock	10,000 g
Vibration	Per MIL-STD-883 Method 2007, Test Condition B
Temperature Range	
Biased	-40°C to +85°C
Storage	-55°C to +150°C

**ESD CAUTION**



ESD (electrostatic discharge) sensitive device. Charged devices and circuit boards can discharge without detection. Although this product features patented or proprietary protection circuitry, damage may occur on devices subjected to high energy ESD. Therefore proper ESD precautions should be taken to avoid performance degradation or loss of functionality.

**SOLDERING PROFILE**



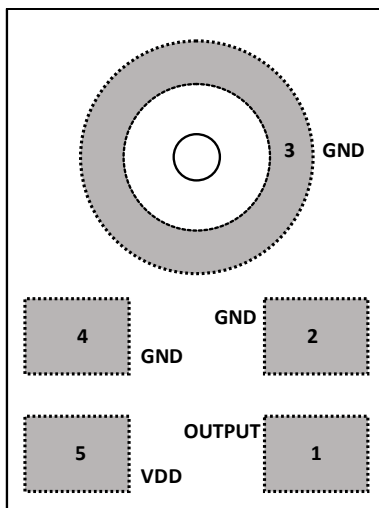
**Figure 1. Recommended Soldering Profile Limits**

**TABLE 3. RECOMMENDED SOLDERING PROFILE\***

PROFILE FEATURE		Sn63/Pb37	Pb-Free
Average Ramp Rate ( $T_L$ to $T_P$ )		1.25°C/sec max	1.25°C/sec max
Preheat	Minimum Temperature ( $T_{SMIN}$ )	100°C	100°C
	Minimum Temperature ( $T_{SMIN}$ )	150°C	200°C
	Time ( $T_{SMIN}$ to $T_{SMAX}$ ), $t_s$	60 sec to 75 sec	60 sec to 75 sec
Ramp-Up Rate ( $T_{SMAX}$ to $T_L$ )		1.25°C/sec	1.25°C/sec
Time Maintained Above Liquidous ( $t_L$ )		45 sec to 75 sec	~50 sec
Liquidous Temperature ( $T_L$ )		183°C	217°C
Peak Temperature ( $T_P$ )		215°C +3°C/-3°C	260°C +0°C/-5°C
Time Within +5°C of Actual Peak Temperature ( $t_p$ )		20 sec to 30 sec	20 sec to 30 sec
Ramp-Down Rate		3°C/sec max	3°C/sec max
Time +25°C ( $t_{25^\circ\text{C}}$ ) to Peak Temperature		5 min max	5 min max

*\*The reflow profile in Table 3 is recommended for board manufacturing with InvenSense MEMS microphones. All microphones are also compatible with the J-STD-020 profile*

**PIN CONFIGURATION AND FUNCTION DESCRIPTIONS**



**Figure 2. Pin Configuration  
Top View (Terminal Side Down)  
Not to Scale**

**TABLE 4. PIN FUNCTION DESCRIPTIONS**

PIN	NAME	FUNCTION
1	OUTPUT	Analog Output Signal
2	GND	Ground
3	GND	Ground
4	GND	Ground
5	VDD	Power Supply

TYPICAL PERFORMANCE CHARACTERISTICS

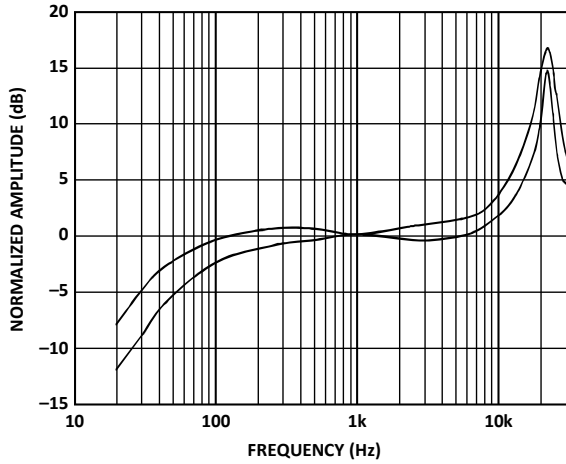


Figure 3. Frequency Response Mask

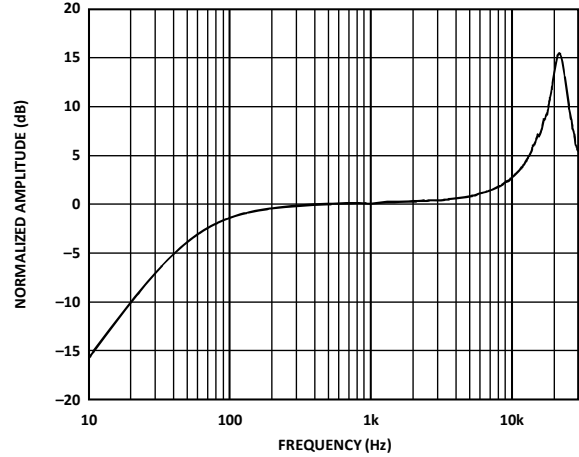


Figure 4. Typical Frequency Response (Measured)

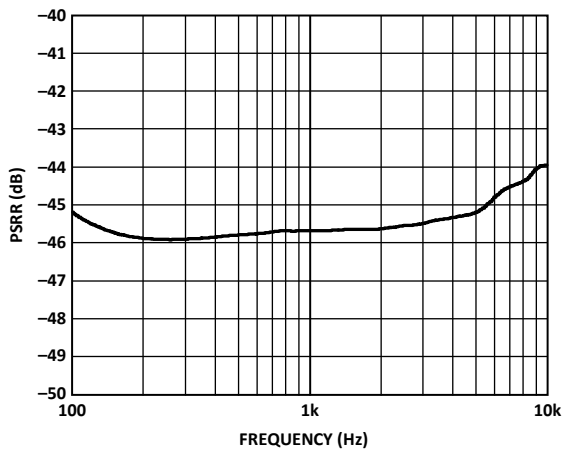


Figure 5. PSR vs. Frequency, 100 mV p-p Swept Sine Wave

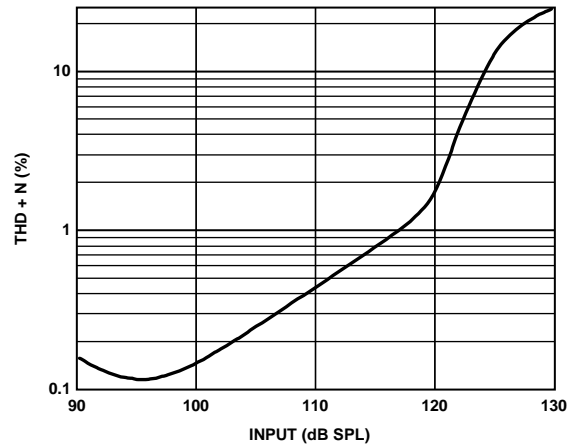


Figure 6. Total Harmonic Distortion + Noise (THD+N) vs. Input SPL

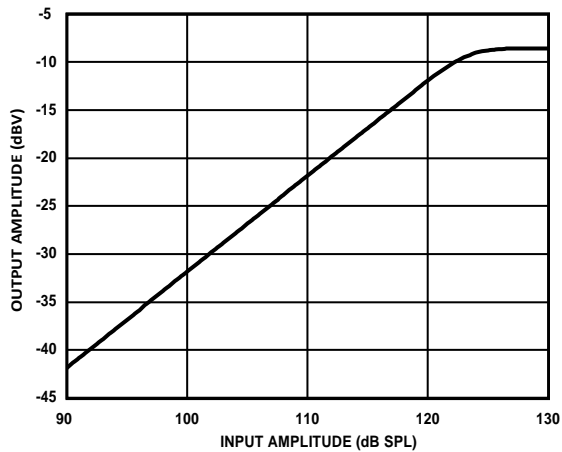


Figure 7. Linearity

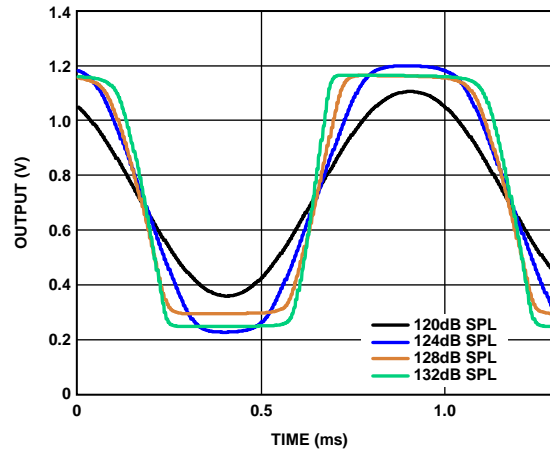


Figure 8. Clipping Characteristics

## APPLICATIONS INFORMATION

### CODEC CONNECTION

The ICS-40180 output can be connected to a dedicated codec microphone input (see Figure 9) or to a high input impedance gain stage. A 0.1  $\mu\text{F}$  ceramic capacitor placed close to the ICS-40180 supply pin is used for testing and is recommended to adequately decouple the microphone from noise on the power supply. A DC blocking capacitor is required at the output of the microphone. This capacitor creates a high-pass filter with a corner frequency at

$$f_c = 1/(2\pi \times C \times R)$$

where  $R$  is the input impedance of the codec.

A minimum value of 2.2  $\mu\text{F}$  is recommended in Figure 9 because the input impedance of some codecs can be as low as 2  $\text{k}\Omega$  at their highest PGA gain setting, which results in a high-pass filter corner frequency at 37 Hz. Figure 10 shows the ICS-40180 connected to an op amp configured as a noninverting preamplifier.

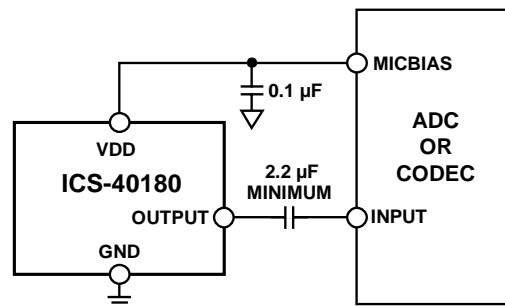


Figure 9. ICS-40180 Connected to a Codec

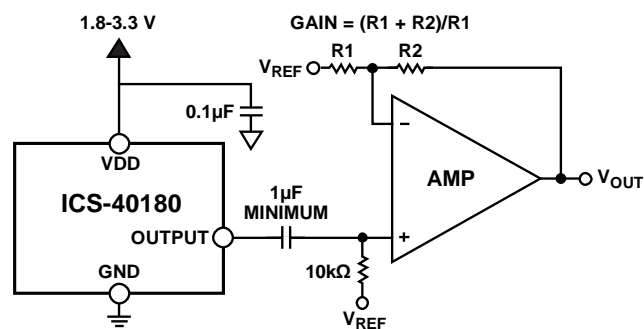


Figure 10. ICS-40180 Connected to an Op Amp



## **SUPPORTING DOCUMENTS**

For additional information, see the following documents.

### **EVALUATION BOARD USER GUIDE**

UG-325, *Analog Output MEMS Microphone Flex Evaluation Board*

### **APPLICATION NOTES**

AN-100, *MEMS Microphone Handling and Assembly Guide*

AN-1003, *Recommendations for Mounting and Connecting the InvenSense Bottom-Ported MEMS Microphones*

AN-1112, *Microphone Specifications Explained*

AN-1124, *Recommendations for Sealing InvenSense Bottom-Port MEMS Microphones from Dust and Liquid Ingress*

AN-1140, *Microphone Array Beamforming*

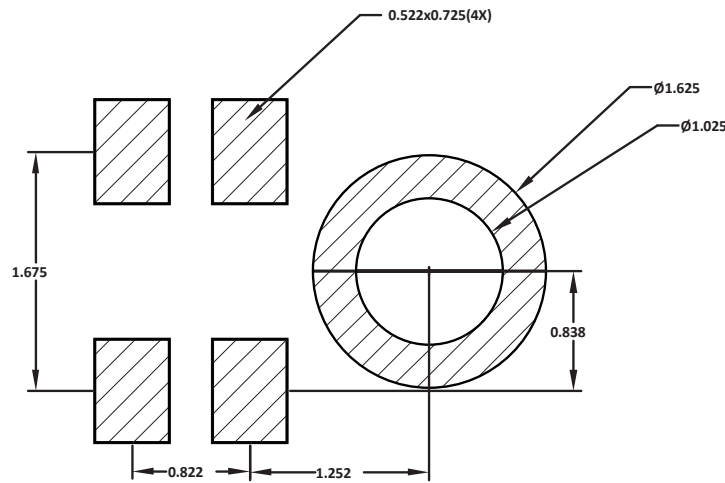
AN-1165, *Op Amps for Microphone Preamp Circuits*

AN-1181, *Using a MEMS Microphone in a 2-Wire Microphone Circuit*

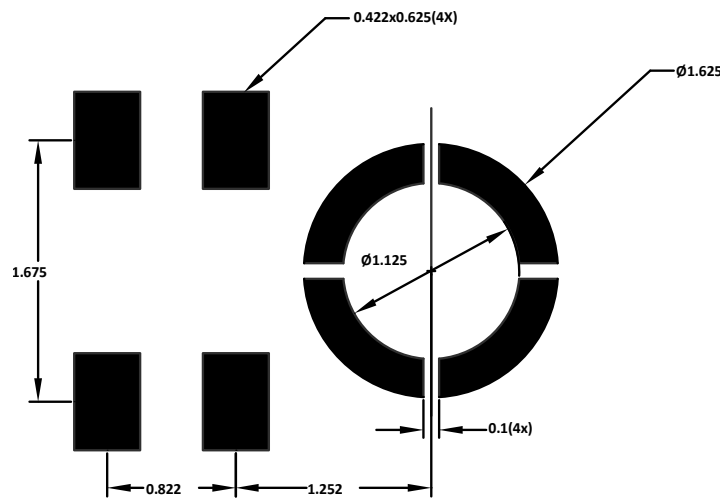
**PCB DESIGN AND LAND PATTERN LAYOUT**

Below is the lay out the PCB land pattern for the ICS-40180, at a 1:1 ratio to the solder pads on the microphone package, (see Figure 11.) Take care to avoid applying solder paste to the sound hole in the PCB. Figure 12 shows a suggested solder-paste stencil pattern layout. The response of the ICS-40180 is not affected by the PCB hole size, as long as the hole is not smaller than the sound port of the microphone (0.25 mm, or 0.01 inch, in diameter). A 0.5 mm to 1 mm (0.020 inch to 0.040 inch) diameter for the hole is recommended.

Align the hole in the microphone package with the hole in the PCB. The exact degree of the alignment does not affect the performance of the microphone as long as the holes are not partially or completely blocked.



**Figure 11. Recommended PCB Land Pattern Layout**



**Figure 12. Recommended Solder Paste Stencil Pattern Layout**

**PCB MATERIAL AND THICKNESS**

The performance of the ICS-40180 is not affected by PCB thickness. The ICS-40180 can be mounted on either a rigid or flexible PCB. A flexible PCB with the microphone can be attached directly to the device housing with an adhesive layer. This mounting method offers a reliable seal around the sound port while providing the shortest acoustic path for good sound quality.

## **HANDLING INSTRUCTIONS**

### **PICK AND PLACE EQUIPMENT**

The MEMS microphone can be handled using standard pick-and-place and chip shooting equipment. Take care to avoid damage to the MEMS microphone structure as follows:

- Use a standard pickup tool to handle the microphone. Because the microphone hole is on the bottom of the package, the pickup tool can make contact with any part of the lid surface.
- Do not pick up the microphone with a vacuum tool that makes contact with the bottom side of the microphone. Do not pull air out of or blow air into the microphone port.
- Do not use excessive force to place the microphone on the PCB.

### **REFLOW SOLDER**

For best results, the soldering profile must be in accordance with the recommendations of the manufacturer of the solder paste used to attach the MEMS microphone to the PCB. It is recommended that the solder reflow profile not exceed the limit conditions specified in Figure 1 and Table 3.

### **BOARD WASH**

When washing the PCB, ensure that water does not make contact with the microphone port. Do not use blow-off procedures or ultrasonic cleaning.

OUTLINE DIMENSIONS

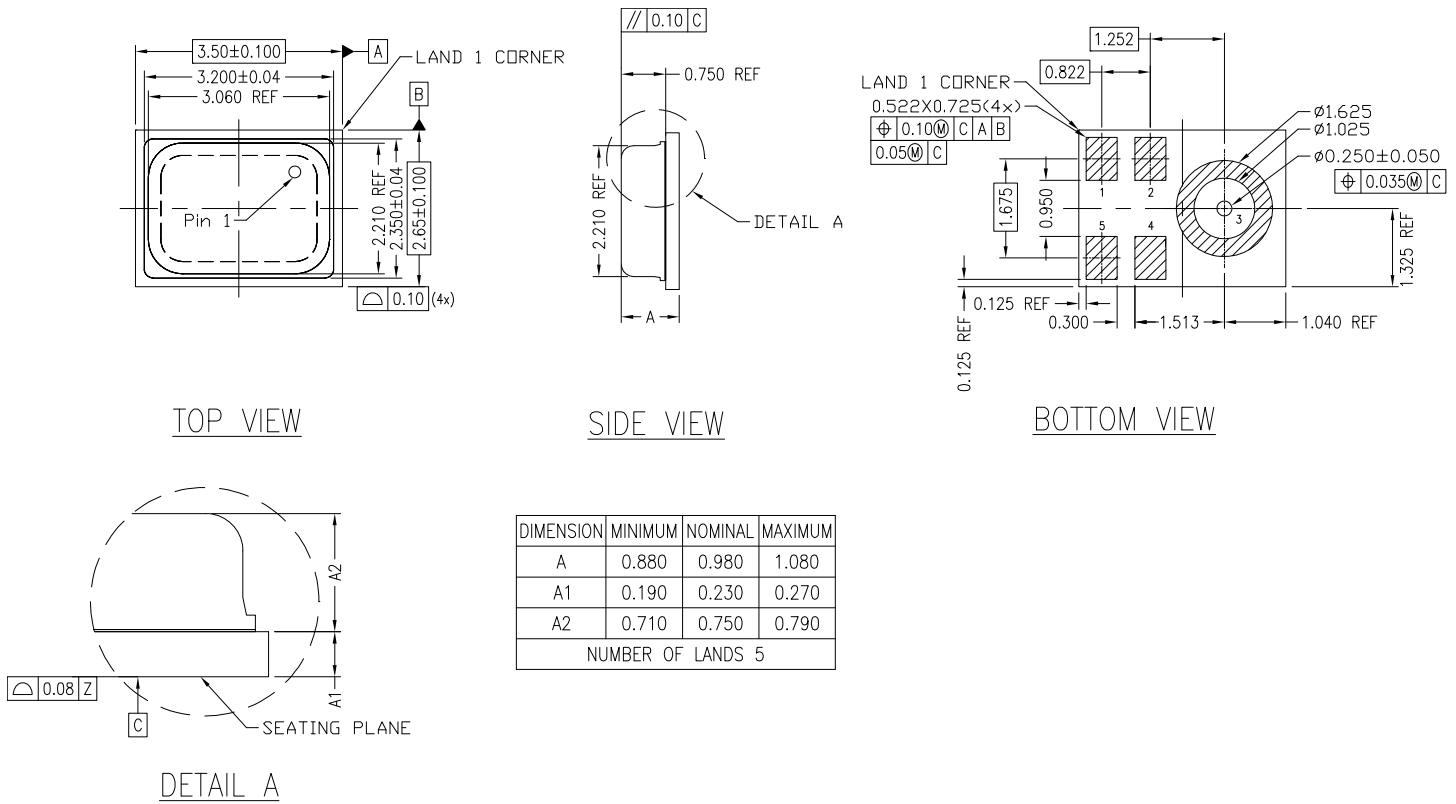


Figure 13. 5-Terminal Chip Array Small Outline No-Lead Cavity [LGA\_CAV]  
3.5 × 2.65 × 0.98 mm Body

Dimensions shown in millimeters

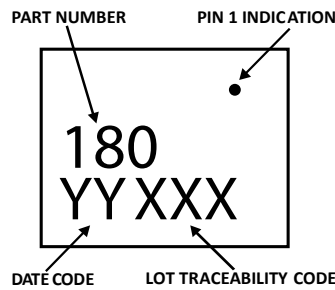


Figure 14. Package Marking Specification (Top View)

ORDERING GUIDE

PART	TEMP RANGE	PACKAGE	QUANTITY	PACKAGING
ICS-40180	-40°C to +85°C	5-Terminal LGA_CAV	10,000	13" Tape and Reel
EV_IC3-40180-FX	—	Flexible Evaluation Board	—	

**REVISION HISTORY**

REVISION DATE	REVISION	DESCRIPTION
10/7/2014	1.0	Initial Release
11/17/2014	1.1	Updated <i>General Description</i> information
04/03/2015	1.2	Corrected PSRR spec and replaced Figure 5