



Features

- Compensated output
- Direct-media monitoring
- Gauge and absolute types
- Isolated onboard electronics
- Gold-plated Kovar™ port option
- RoHS compliant*

Applications

Industrial:

- Refrigerant systems
- Water level & pressure monitoring
- ** Medical Devices (low/medium risk):
- Diagnostic/analysis equipment
- *** Heavy Equipment:
- Oil & fuel systems
- Exhaust gas pressure sensing

BPS130 Series - 10 mm Analog High Pressure Sensor

Electrical Characteristics

Supply Voltage (V_S)	4.5 V minimum, 5 V typical, 5.5 V maximum
Supply Current	10 mA
Output Current	2.5 mA
Short Circuit Current	±25 mA
Reverse Polarity Protection	-33 V
Overvoltage Protection	33 V

Additional Information

Click these links for more information:



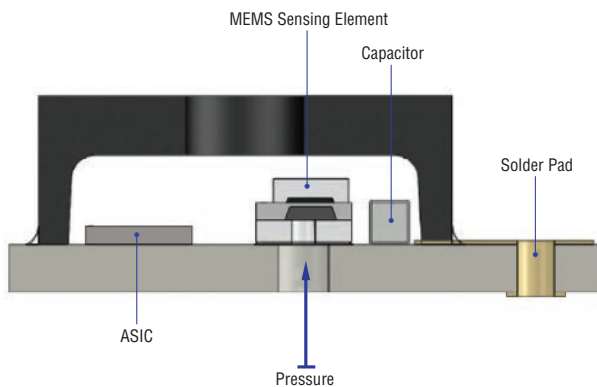
Performance Characteristics

Operating Temperature	-40 °C to +150 °C
Storage Temperature	-55 °C to +150 °C
Output Range V_{out} ****	10 % to 90 % V_S
Output Clamping Limit V_{out} ****	5 % to 95 % V_S
Resolution (>12 bit DAC)	0.02 % FS
Accuracy @ 25 °C	±0.25 % FS
Total Error Band	
-40 °C to +150 °C	±2.5 % FS
0 °C to +85 °C	±1.0 % FS
Static Proof Pressure	2X full scale PSIA
Burst Pressure	3X full scale PSIA
Lifetime Drift (1000 hours @ +150 °C)	±0.5 % FS

Product Characteristics

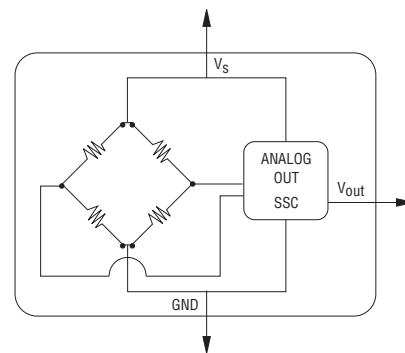
Media Compatibility	Harsh media (air, liquid and gas)
Moisture Sensitivity Level	2
ESD Classification (HBM)	>4 kV
Marking	Partial model number, media compatibility, pressure type, pressure rating, lot code
Standard Packaging	250 pcs./13-inch reel or 100 pcs./tray
Weight	1.080 grams (0.038 oz)

Cross Section



“Wetted” Materials: Silicon, glass, Au/Sn, ceramic
(Ported version also contains Au and solder)
Any material in contact with the media is considered a “wetted” material.

Basic Circuit Schematic



Note: Power supply decoupling and output filtering included.
Consult factory for custom options such as supply voltage, temperature calibration range, output range accuracy specification, and update rate.

* RoHS3 Directive 2015/863 Amendments of Annex II on March 31, 2015

** Bourns® products have not been designed for and are not intended for use in “lifefaving,” “life-critical” or “life-sustaining” applications nor any other applications where failure or malfunction of the Bourns® product may result in personal injury or death. See Legal Disclaimer Notice on the last page of this document, and at www.bourns.com/docs/legal/disclaimer.pdf.

*** Custom engineered solutions. Check with factory for availability.

**** 5 V input voltage.

“Kovar” is a trademark of CRS Holdings, Inc., Delaware.

Specifications are subject to change without notice.

Users should verify actual device performance in their specific applications.

The products described herein and this document are subject to specific legal disclaimers as set forth on the last page of this document, and at www.bourns.com/docs/legal/disclaimer.pdf.

BPS130 Series - 10 mm Analog High Pressure Sensor

BOURNS®

Transfer Function Formula

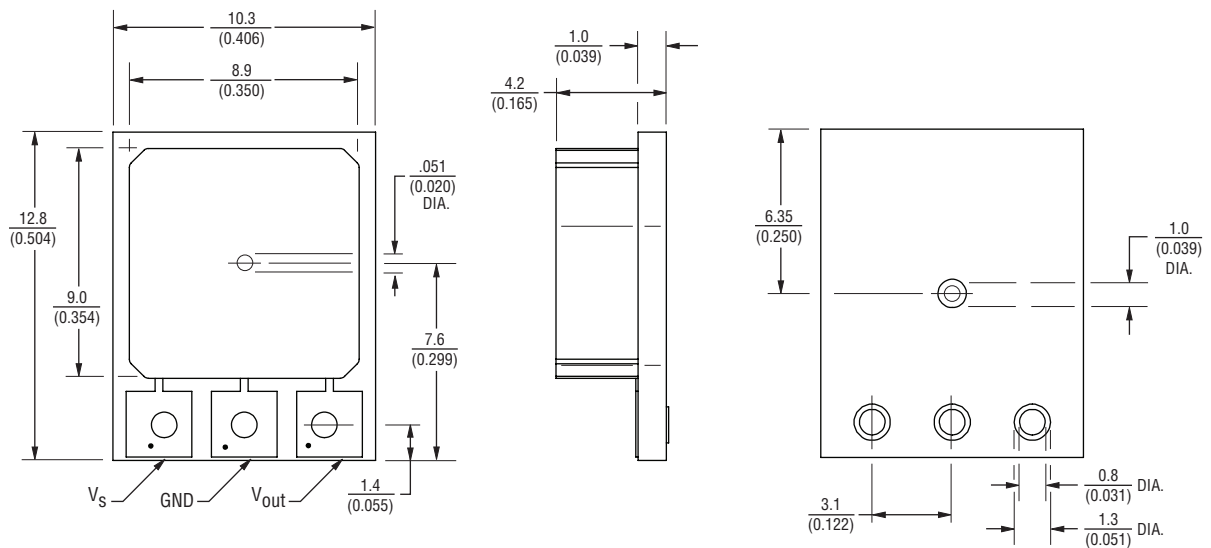
$$P_{\text{psi}} = (P_{\text{max}} - P_{\text{min}}) \cdot \left(\frac{V_{\text{out}} - V_{\text{minComp}}}{V_{\text{maxComp}} - V_{\text{minComp}}} \right) + P_{\text{min}}$$

Where

- P_{psi} = Measured Pressure in PSI
- P_{max} = Maximum Pressure
- P_{min} = Minimum Pressure
- V_{minComp} = Minimum Voltage (Usually 0.5 V)
- V_{maxComp} = Maximum Voltage (Usually 4.5 V)
- V_{out} = Output Voltage

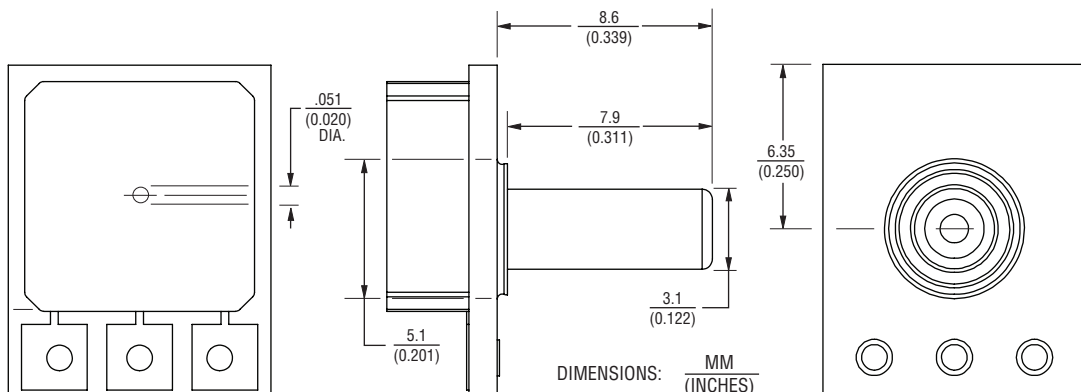
Product Dimensions

Manifold Mount



(Electrical pin-out for all configurations)

Single Port



DIMENSIONS: $\frac{\text{MM}}{\text{(INCHES)}}$

TOLERANCES: $\frac{0.3}{(0.012)}$

Specifications are subject to change without notice.

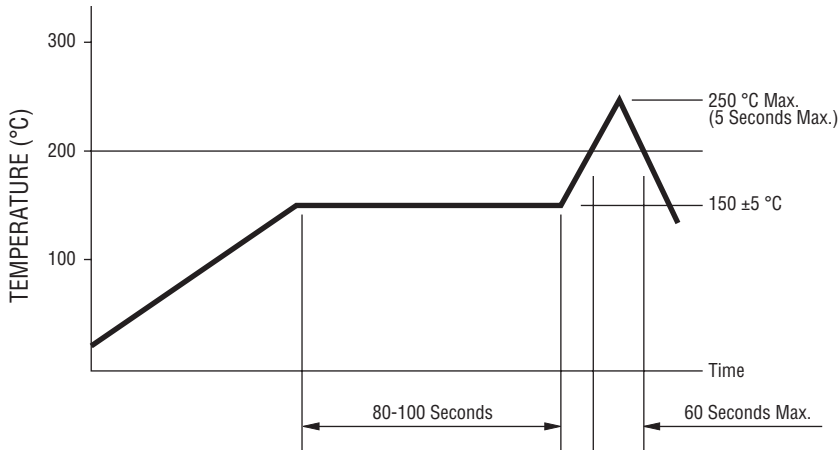
Users should verify actual device performance in their specific applications.

The products described herein and this document are subject to specific legal disclaimers as set forth on the last page of this document, and at www.bourns.com/docs/legal/disclaimer.pdf.

BPS130 Series - 10 mm Analog High Pressure Sensor

BOURNS®

Solder Profile



Notes:

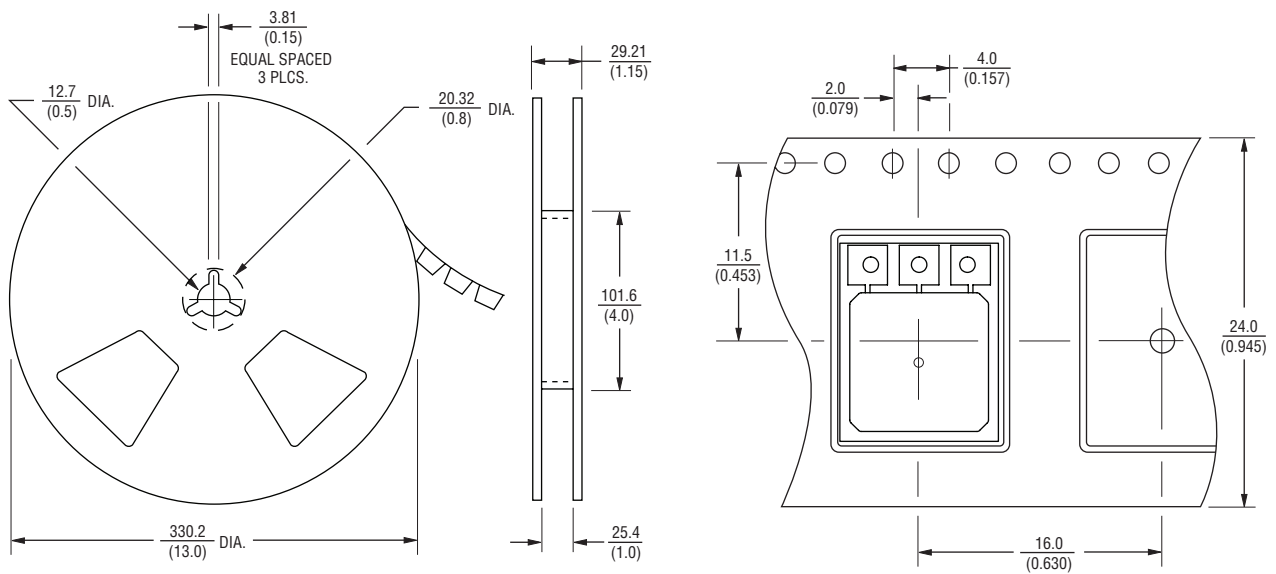
1. No clean solder paste is recommended.
2. Aqueous wash is not recommended.
3. Use of water soluble soldering flux should be avoided due to possible corrosion.
4. Multiple passes through the soldering process is not recommended.
5. Other SMD processes and profiles should be verified by the customer.

Processing Method: Reflow soldering with infrared heat or forced air convection (only once).

Packaging Specification

250 pieces per 13-inch reel.

Meets specifications of EIA-481-1 or EIA-481-2.



DIMENSIONS: $\frac{\text{MM}}{\text{(INCHES)}}$

TOLERANCES: $\frac{0.25}{(0.010)}$

REV. 08/21

Specifications are subject to change without notice.

Users should verify actual device performance in their specific applications.

The products described herein and this document are subject to specific legal disclaimers as set forth on the last page of this document, and at www.bourns.com/docs/legal/disclaimer.pdf.