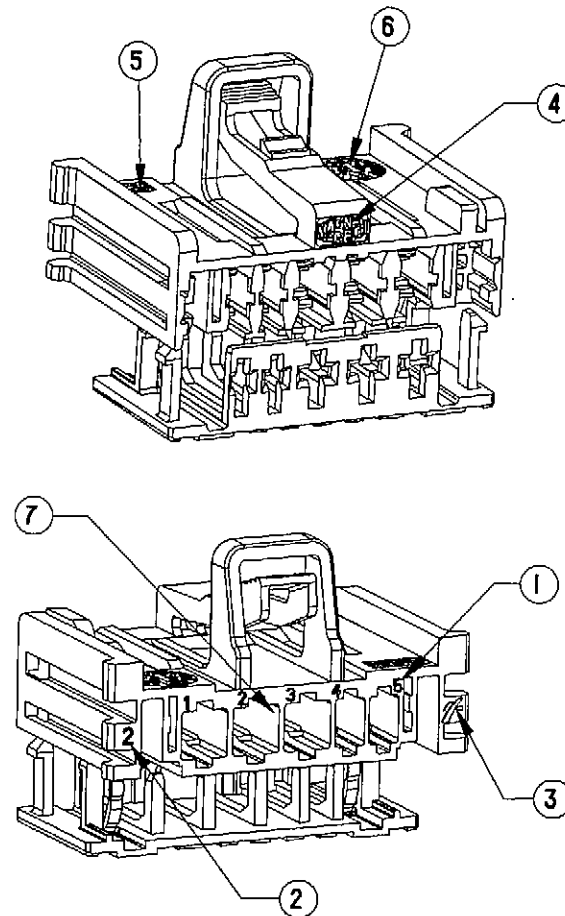


RELEASED FOR PRODUCTION



P/N	POLARIZZAZIONE	Dim. A	MATERIALE	COLORE	APPLICAZIONE
BRTFHPE05WHDX		12.6 ±0.2	PBT	BIANCO	CENTRALINA
BRTFHPE05BKSX		12.6 ±0.2	PBT	NERO	CONDIZIONATORE
BRTFHPE05GYSX		11.2 ±0.2	PBT	GRIGIO	RISCALDATORE
BRTFHPE05BNDX		11.2 ±0.2	PBT	MARRONE	T.B.D.

SHEET 1 of 1
FSC 308555

- NOTE:**
- ① Sigla di identificazione cavita' contatto
 - ② Numero identificazione figura stampo
 - ③ Logo F.C.I.
 - ④ Logo Magneti Marelli
 - ⑤ Sigla identificazione materiale per riciclaggio
 - ⑥ Sigla identificazione data di fabbricazione
 - ⑦ CAVITA' 1-2-3 ADATTE PER CONTATTI FCI SICMA2 2.8x0.8
CAVITA' 4-5 ADATTE PER CONTATTI FCI SICMA2 1.5x0.8
CAPITOLATO DI PROVA IN ACCORDO: PSA n° B217050 e IPSI58 (Spec. F.C.I.)
- ◇ CAPABILITY

Description : BLOCCHETTO P.F. 5 VIE IBRIDO		Cat. No : BRTFHPE05xxxx	
Draft	This is our exclusive property, it is not to be copied, reprinted or disclosed to a third party, nor used for manufacturing, without our written consent, and has to be returned to us in case of no usage.	European projection	 FRAMATOME CONNECTORS INTERNATIONAL Framatome connectors Italia S.p.A. FSC 308555 customer drawing
Date 24/March/2001			
We reserve the right to change dimensions or requirements without prior notice.			Rev. 10