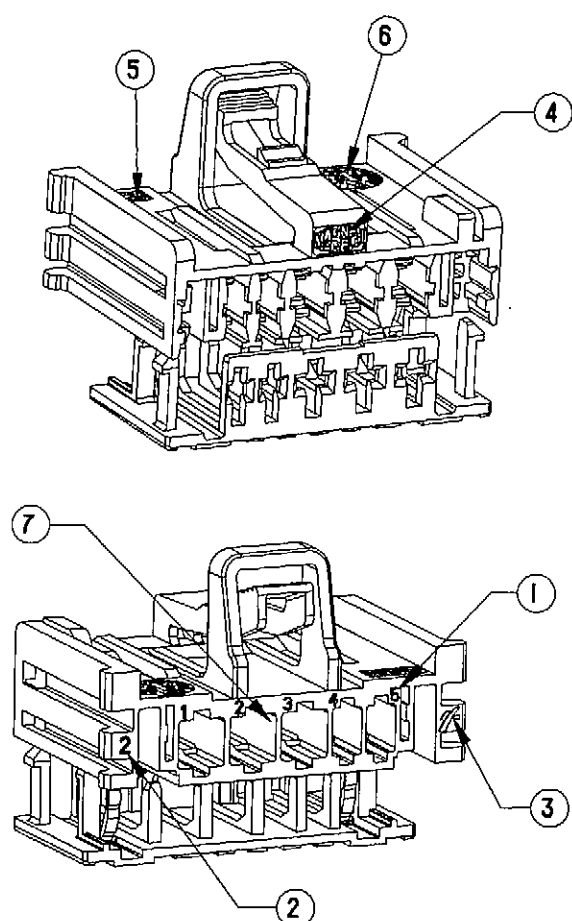


**RELEASED FOR PRODUCTION**



P/N	POLARIZZAZIONE	Dim. A	MATERIALE	COLORE	APPLICAZIONE
BRTFHPE05WHDX		12.6 ±0.2	PBT	BIANCO	CENTRALINA
BRTFHPE05BKSX		12.6 ±0.2	PBT	NERO	CONDIZIONATORE
BRTFHPE05GYSX		11.2 ±0.2	PBT	GRIGIO	RISCALDATORE
BRTFHPE05BNDX		11.2 ±0.2	PBT	MARRONE	T.B.D.

SHEET 1 of 1  
FSC 308555

- NOTE:**
- ① Sigla di identificazione cavita' contatto
  - ② Numero identificazione figura stampo
  - ③ Logo F.C.I.
  - ④ Logo Magneti Marelli
  - ⑤ Sigla identificazione materiale per riciclaggio
  - ⑥ Sigla identificazione data di fabbricazione
  - ⑦ CAVITA' 1-2-3 ADATTE PER CONTATTI FCI SICMA2 2.8x0.8  
CAVITA' 4-5 ADATTE PER CONTATTI FCI SICMA2 1.5x0.8  
CAPITOLATO DI PROVA IN ACCORDO: PSA n° B217050 e IPSI58 (Spec. F.C.I.)
  - ◇ CAPABILITY

Description : BLOCCHETTO P.F. 5 VIE IBRIDO		Cat. No : BRTFHPE05xxxx	
Draft	This is our exclusive property, it is not to be copied, reprinted or disclosed to a third party, nor used for manufacturing, without our written consent, and has to be returned to us in case of no usage.	European projection	 <b>FRAMATOME CONNECTORS INTERNATIONAL</b> Framatome connectors Italia S.p.A. FSC 308555 customer drawing
Date 24/March/2001			
We reserve the right to change dimensions or requirements without prior notice.			Rev. 10