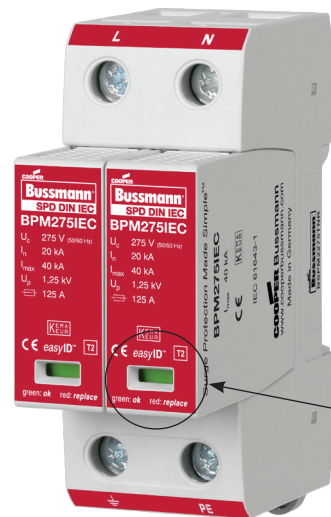


## Two-pole IEC Class II surge arresters for TN and TT systems



Remote contact signaling available

easyID™ local visual status indication

### Catalog symbols:

- BSPM2275TN
- BSPM2275TNR
- BSPH2275TT
- BSPH2275TTR

### Description:

Eaton's Bussmann™ series two-pole IEC Class II modular surge arresters for TN and TT systems feature local *easyID*™ visual status indication and optional remote contact signaling. The unique module locking system fixes the protection module to the base. Modules can be easily replaced without tools by simply depressing the release buttons. Integrated mechanical coding between the base and protection module ensures against installing an incorrect replacement module.

### TN System Arresters

The features of these single-pole devices are for use in single-phase 230 volt TN systems ("2-0" circuit).

### TT System Arrester

The features of these single-pole devices are for use in single-phase 230 volt TT and TNS systems ("1-1" circuit).

### Optional remote contact signaling

The three-pole terminal remote contact signaling option has a floating changeover contact for use as a break or make contact, according to circuit concept.

### Specifications:

#### System volts

- 230

#### System types:

- TN
- TT

#### Agency information

- CE
- KEMA
- RoHS compliant

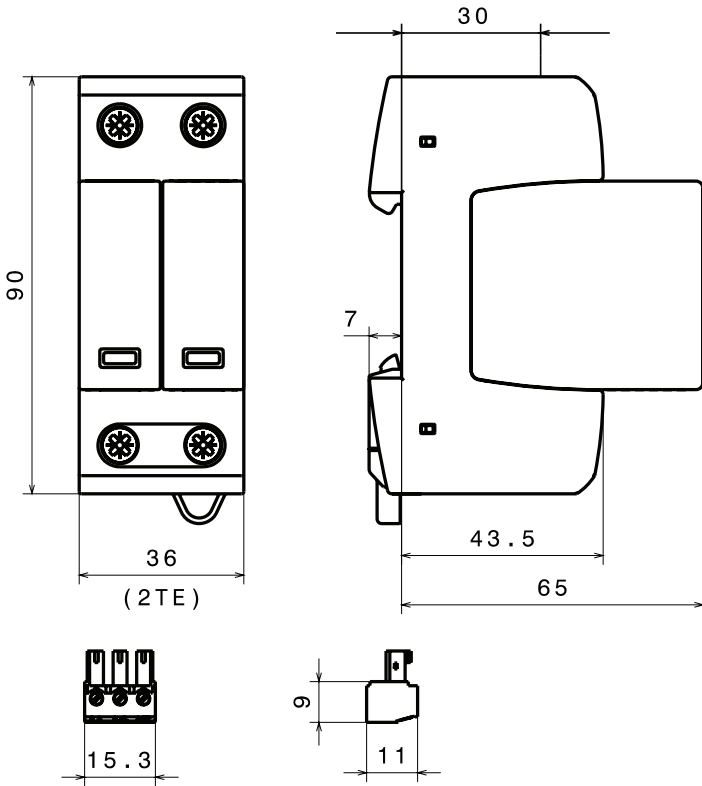
#### Mounting

- 35mm DIN-Rail

#### Warranty

- Five years

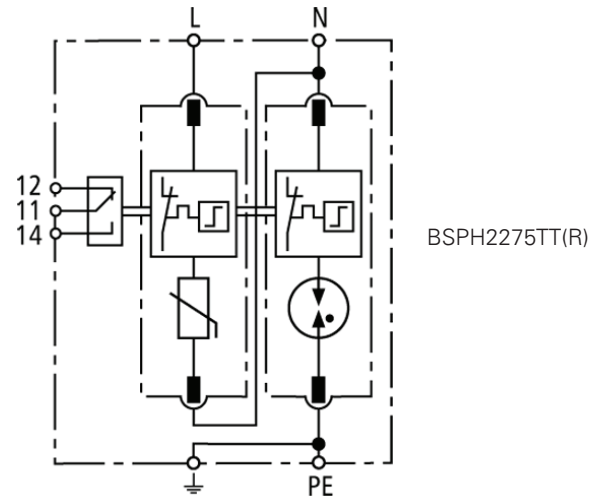
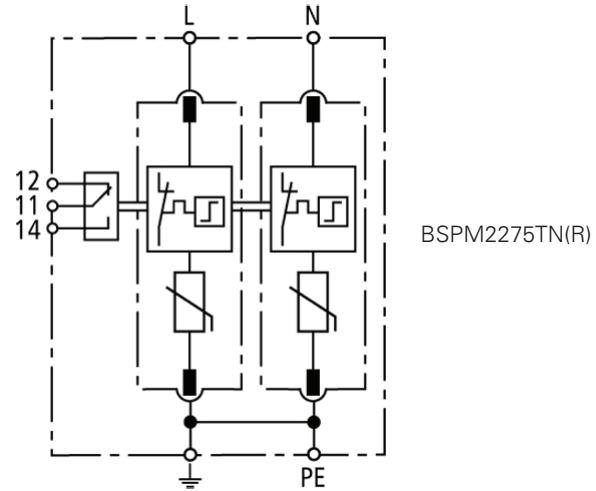
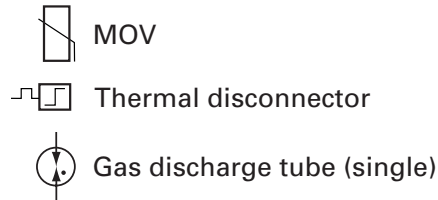
**Dimensions - mm:**



Shown with optional remote contact signaling.

**Circuit diagrams:**

Shown with optional remote contact signaling.



**Recommended Bussmann series back up fuses**

DIN fuse size	NH fuse catalog number
00	125NHG00B
0	125NHG0B
01	125NHG01B
02	125NHG02B

**Ordering information:**

System Voltage (50-60Hz) / Poles		230V/2	230V/2
Max. Continuous Operating Voltage (MCOV) [U <sub>c</sub> ] AC (50-60Hz)	[L-N]	275V	—
	[N-PE]	—	275V
Catalog numbers (base + modules)	W/O remote signaling	BSPM2275TN	BSPH2275TT
	W/ remote signaling	BSPM2275TNR	BSPH2275TTR
Replacement modules	MOV Technology	BPM275IEC	BPM275IEC
	Spark gap technology	—	BPSNPEIEC*

Specifications			
Lightning impulse current (10/350μs) [N-PE] [I <sub>imp</sub> ]		—	12kA
		≤ 1.5kV	—
Voltage protection level [U <sub>p</sub> ]	at 5kA	≤ 1kV	—
	[L-N]	—	≤ 1.5kV
	[L-N] at 5kA	—	≤ 1kV
	[N-PE]	—	≤ 1.5kV
Follow current extinguishing capability [N-PE] [I <sub>r</sub> ]		—	100A <sub>rms</sub>
		≤ 25 ns	—
Response time [t <sub>A</sub> ]	[L-N]	—	≤ 25 ns
	[N-PE]	—	≤ 100 ns
		Withstand	335V / 5 sec.
Temporary overvoltage (TOV) [U <sub>r</sub> ]		Safe failure	440V / 120 min
	[L-N]	Withstand	—
		Safe failure	335V / 5 sec.
	[N-PE]	Withstand	—
		Safe failure	440V / 120 min.
	Withstand	—	
SPD according to		EN 61643-11 Type 2, IEC 61643-11 Class II	
Nominal discharge current (8/20μs) [I <sub>n</sub> ]		20kA	
Max. discharge current (8/20μs) [I <sub>max</sub> ]		40kA	
Max. mains-side overcurrent protection		125A gG	
Short-circuit withstand capability for max. mains-side overcurrent protection (I <sub>scpr</sub> )		50kA <sub>rms</sub>	
Nominal AC voltage [U <sub>N</sub> ]		230V	
Operating environment [T <sub>U</sub> ]		-40°C to +80°C, 5% to 95% RH	
Operating state/fault indication		Green (good) / Red (replace)	
Number of ports		1	
Cross-sectional area	Min.	1.5mm <sup>2</sup> /14AWG solid/flexible	
	Max.	35mm <sup>2</sup> /2AWG stranded — 25mm <sup>2</sup> /4AWG flexible	
Mounting		35mm DIN-Rail per EN 60715	
Enclosure material		Thermoplastic, UL 94V0	
Location category		Indoor	
Degree of protection		IP20	
Capacity		2 mods., DIN 43880	
Agency information		KEMA	
Product warranty		Five years**	

Remote contact signaling			
Contact signaling type		Changeover contact	
Switching capacity (volts/amps)	AC	250V/0.5A	
	DC	250V/0.1A; 125V/0.2A; 75V/0.5A	
Conductor ratings and cross-sectional area		60/75°C Max. 1.5mm <sup>2</sup> /14AWG solid/flexible	
Ordering information		Order from catalog numbers above	

\* N-PE surge arrester for location between neutral conductor and protective conductor in TT systems.

\*\* See Eaton Bussmann series SPD limited warranty statement (3A1502) for details at [www.cooperbussmann.com/surge](http://www.cooperbussmann.com/surge).