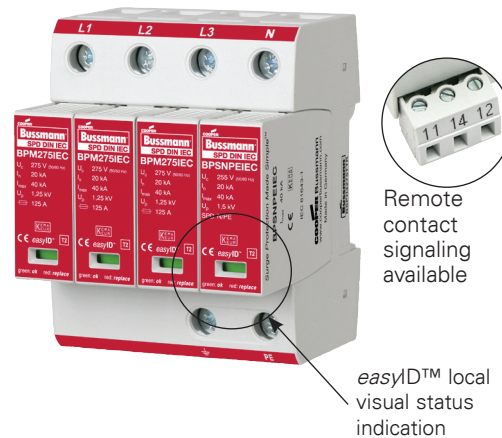


## Four-pole IEC Class II surge arresters for TN-S and TT systems



Remote contact signaling available

easyID™ local visual status indication

### Catalog symbols:

- BSPM4275TNS
- BSPM4275TNSR
- BSPH\_TT
- BSPH\_TTR

### Description:

Eaton's Bussmann™ series four-pole IEC Class II modular surge arresters feature local, *easyID™* visual status indication and optional remote contact signaling. The unique module locking system fixes the protection module to the base. Modules can be easily replaced without tools by simply depressing the release buttons. Integrated mechanical coding between the base and protection module ensures against installing an incorrect replacement module.

These 230 volt models are offered with MCOV ratings of 275, 320 or 385V.

### TN-S system arrester

The features of these four-pole devices are for use in TN-S 230/400 volt systems ("4-0" circuit) against surges.

### TT system arrester

The features of these four-pole devices are for use in TT and TN-S 230/400 volt systems ("3+1" circuit) against surges.

### Optional remote contact signaling

The three-pole terminal remote contact signaling option has a floating changeover contact for use as a break or make contact, according to circuit concept.

### Specifications:

#### System volts

- 230

#### System types

- TN-S
- TT

#### Agency information

- CE
- KEMA
- RoHS compliant

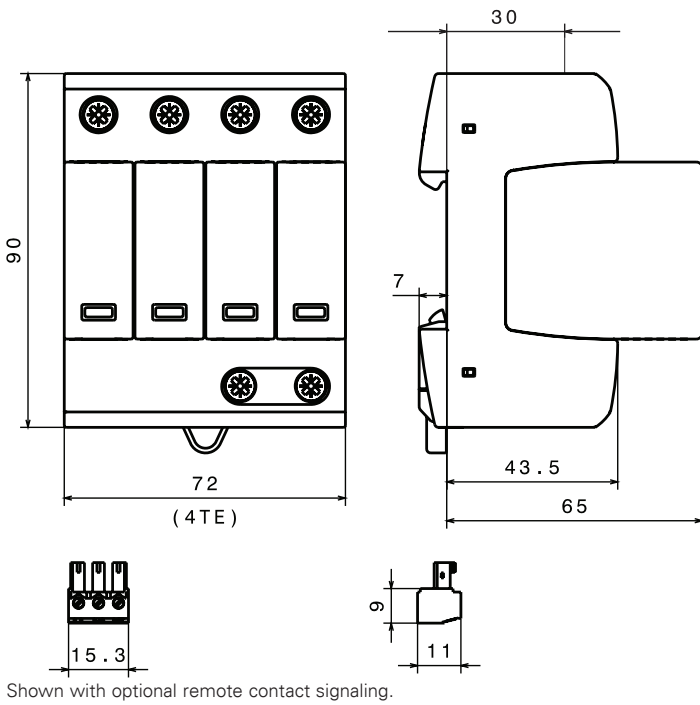
#### Mounting

- 35mm DIN-Rail

#### Warranty

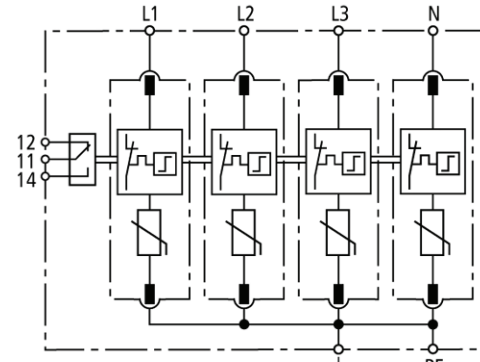
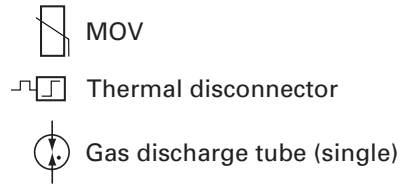
- Five years

**Dimensions - mm:**

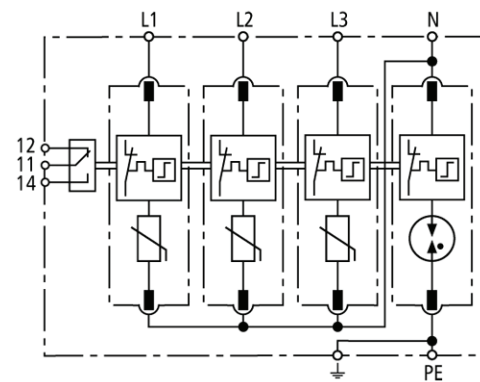


**Module circuit diagrams:**

Shown with optional remote contact signaling.



BSPM4275TNS(R)



BSPH4275TT(R)  
BSPH4320TT(R)  
BSPH4385TT(R)

**Recommended Bussmann series back up fuses**

DIN fuse size	NH fuse catalog number
00	125NHG00B
0	125NHG0B
01	125NHG01B
02	125NHG02B

**Ordering information:**

System voltage (50-60Hz)/poles		230/400V / 4	230/400V / 4	230/400V / 4	230/400V / 4
Max. Continuous Operating Voltage (MCOV) [U <sub>c</sub> ] AC (50-60Hz)	[L-N]	275V	—	—	—
	[N-PE]	—	275V	320V	385V
Catalog numbers (base + modules)	W/O remote signaling	BSPM4275TNS	BSPH4275TT	BSPH4320TT	BSPH4385TT
	W/ remote signaling	BSPM4275TNSR	BSPH4275TTR	BSPH4320TTR	BSPH4385TTR
Replacement modules	MOV technology	BPM275IEC	BPM275IEC	BPM320IEC	BPM385IEC
	Spark gap technology	—	BPSNPEIEC*	BPSNPEIEC*	BPSNPEIEC*

Specifications						
Lightning impulse current (10/350µs) [N-PE] [I <sub>imp</sub> ]		—	12kA	12kA	12kA	
		≤ 1.5kV	—	—	—	
	at 5kA	≤ 1kV	—	—	—	
Voltage protection level [U <sub>p</sub> ]	[L-N]	—	≤ 1.5kV	≤ 1.5kV	≤ 1.75kV	
	[L-N] at 5kA	—	≤ 1kV	≤ 1.2kV	≤ 1.35kV	
	[N-PE]	—	≤ 1.5kV	≤ 1.5kV	≤ 1.5kV	
Follow current extinguishing capability [N-PE] [I <sub>fr</sub> ]		—	100A <sub>rms</sub>	100A <sub>rms</sub>	100A <sub>rms</sub>	
		≤ 25 ns	—	—	—	
Response time [t <sub>A</sub> ]	[L-N]	—	≤ 25 ns	≤ 25 ns	≤ 25 ns	
	[N-PE]	—	≤ 100 ns	≤ 100 ns	≤ 100 ns	
Temporary overvoltage (TOV) [U <sub>p</sub> ]	Withstand	335V / 5 sec.	—	—	—	
		440V / 120 min.	—	—	—	
	Safe failure	335V / 5 sec.	335V / 5 sec.	335V / 5 sec.	440V / 120 min	
		440V / 120 min	440V / 120 min	440V / 120 min	—	
	[L-N]	Withstand	—	1200V / 200 ms	1200V / 200 ms	1200V / 200 ms
		Safe failure	—	—	—	—
[N-PE]	Withstand	—	—	—	—	
Short-circuit withstand capability for max. mains-side overcurrent protection (I <sub>scCR</sub> )		50kA <sub>rms</sub>	50kA <sub>rms</sub>	25kA <sub>rms</sub>	25kA <sub>rms</sub>	
SPD according to		EN 61643-11 Type 2, IEC 61643-11 Class II				
Nominal AC voltage [U <sub>N</sub> ]		230 / 400V				
Nominal discharge current (8/20µs) [I <sub>n</sub> ]		20kA				
Max. discharge current (8/20µs) [I <sub>max</sub> ]		40kA				
Max. mains-side overcurrent protection		125A gG				
TOV characteristics		Withstand				
Operating environment [T <sub>U</sub> ]		-40°C to +80°C, 5% to 95% RH				
Operating state/fault indication		Green (good) / Red (replace)				
Number of ports		1				
Cross-sectional area	Min.	1.5mm <sup>2</sup> /14AWG solid/flexible				
	Max.	35mm <sup>2</sup> /2AWG stranded — 25mm <sup>2</sup> /4AWG flexible				
Mounting		35mm DIN-Rail per EN 60715				
Enclosure material		Thermoplastic, UL 94V0				
Location category		Indoor				
Degree of protection		IP20				
Capacity		4 mods., DIN 43880				
Agency information		KEMA				
Product warranty		Five years**				

Remote contact signaling					
Contact signaling type		Changeover contact			
Switching capacity (volts/amps)	AC	250V/0.5A			
	DC	250V/0.1A; 125V/0.2A; 75V/0.5A			
Conductor ratings and cross-sectional area		60/75°C Max. 1.5mm <sup>2</sup> /14AWG solid/flexible			
Ordering information		Order from catalog numbers above			

\* N-PE surge arrester module for location between neutral conductor and protective conductor in TT systems.

\*\* See Eaton's Bussmann series SPD limited warranty statement (3A1502) for details at [www.cooperbussmann.com/surge](http://www.cooperbussmann.com/surge).