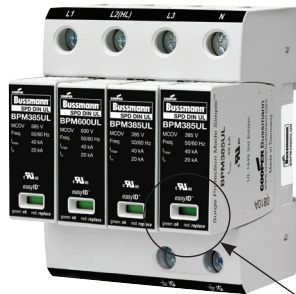


Four-pole high SCCR UL Type 2 surge protective devices for three-phase Highleg Delta and Wye systems



Remote contact signaling available

easyID™ local visual status indication

Catalog symbols:

- BSPM4__WYNG
- BSPM3__WYNGR
- BSPM3__HLG
- BSPM3__HLGR

Description:

Eaton Bussmann™ series four-pole UL modular surge arresters feature *easyID™* local visual indication and optional remote contact signaling for system monitoring.

The unique module locking system fixes the protection modules to the base and they can be easily replaced without tools by simply depressing the release buttons.

Integrated mechanical coding between the base and protection module ensures against installing an incorrect replacement.

Standard local visual indication

The green and red visual indicator flags show the module protective status (green = good, red = replace).

Optional remote contact signaling

The three-pole terminal remote contact signaling option has a floating changeover contact for use as a break or make contact, according to circuit concept.

Specifications:

System volts

- 120/208Vac
- 127/220Vac
- 277/480Vac
- 347/600Vac
- 120/240Vac
- 240/480Vac

Short-Circuit Current Rating (SCCR)

- Up to 200kA

Systems types

- Three-phase Wye, 4 wire + ground
- Three-phase highleg Delta, 4 wire + ground

Agency information

- UL® Recognized 1449 4th Edition, Type 2 Component Assembly
- Vibration and shock tested per EN 60068-2
- CE
- RoHS compliant

Mounting

- 35mm DIN-Rail

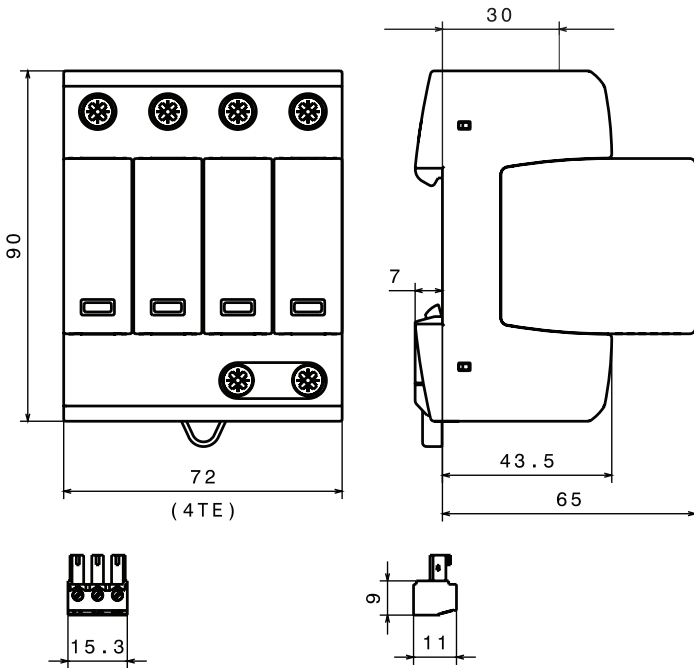
Warranty

- Five years



Powering Business Worldwide

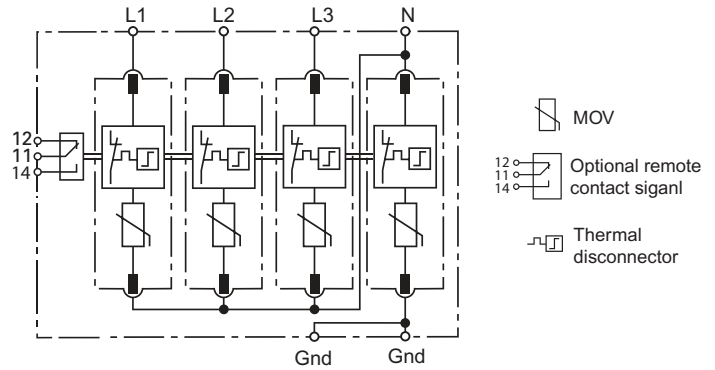
Dimensions - mm:



Shown with optional remote contact signaling.

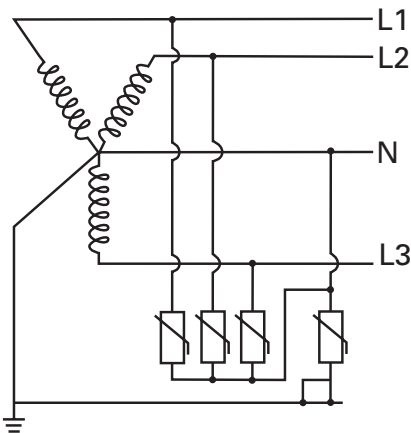
Module circuit diagrams:

Shown with optional remote contact signaling

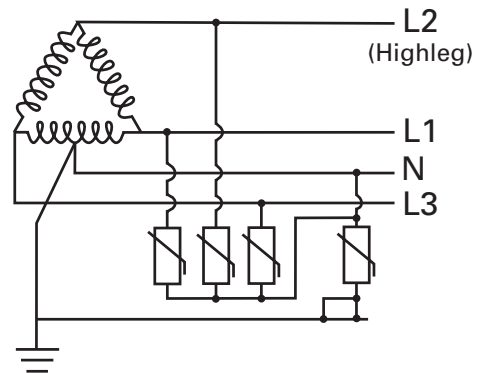


- BSPM4208WYNG
- BSPM4480WYNG
- BSPM4600WYNG
- BSPM4240HLG
- BSPM4480HLG

Typical installation/system application:



120/208V, 127/220V, 277/480V, 347/600Vac
Wye 3-phase, 4 wire + ground
BSPM4208WYNG, BSPM4480WYNG, BSPM4600WYNG



120/240V, 240/480Vac
Highleg Delta, 3-phase, 4 wire + ground
BSPM4240HLG, BSPM4480HLG

Ordering information:

Nominal system voltage		120/208Vac, 127/220Vac	120/240Vac	240/480Vac	277/480Vac	347/600Vac
Max. Continuous Operating AC Voltage MCOV (V _c)	[L-N/L-G]	275/550Vac	275/550Vac	385/770Vac	385/600Vac	600/875Vac
	[N-G/L-L]	275/550Vac	275/550Vac	385/770Vac	275/770Vac	275/1200Vac
	[H-N/H-G]	—	275/550Vac	600/985Vac	—	—
	[L-L]	—	550VAC	985Vac	—	—
Catalog numbers (base + modules)	W/O remote signaling	BSPM4208WYNG	BSPM4240HLG	BSPM4480HLG	BSPM4480WYNG	BSPM4600WYNG
	W/ remote signaling	BSPM4208WYNGR	BSPM4240HLGR	BSPM4480HLGR	BSPM4480WYNGR	BSPM4600WYNGR
Replacement module, MOV technology, four (4) total required	Module positions: L1 or L3	BPM275UL	BPM275UL	BPM385UL	BPM385UL	BPM600UL
	L2	BPM275UL	BPM275UL	BPM600UL	BPM385UL	BPM600UL
	N	BPM275UL	BPM275UL	BPM385UL	BPM275UL	BPM275UL

Specifications		120/208Vac, 127/220Vac	120/240Vac	240/480Vac	277/480Vac	347/600Vac
Rated voltage		120/208Vac, 127/220Vac	120/240Vac	240/480Vac	277/480Vac	347/600Vac
Voltage Protection Rating VPR	[L-N/L-G]	1kV/1.8kV	1kV/1.8kV	1.5kV/2.5kV	1.5kV/2.5kV	2kV/3kV
	[N-G/L-L]	1kV/1.8kV	1kV/1.8kV	1.5kV/2.5kV	1kV/2.5kV	1kV/4kV
	[H-N/H-G]	—	1kV/1.8kV	2kV/3kV	—	—
	[H-L]	—	1.8kV	3kV	—	—
SCCR		200kA	200kA	125kA	200kA	125kA
Discharge current	Nom. I _n	20kA				
	Max. I _{max}	40kA				
Response time t _A		≤25 ns				
Frequency		50/60Hz				
Number of poles		4				
Number of wires/connection points		4 wires / 5 connection points				
Operating state/fault indication		Green (good) / Red (replace)				
Cross-sectional area	Min.	14AWG - Cu stranded, solid or fine				
	Max.	2AWG - Cu solid or stranded, 4AWG - Cu fine				
Terminal torque		45 lb-in (5.1N•m)				
Mounting		35mm DIN-rail per EN 60715				
Enclosure material		Thermoplastic, UL 94V0				
Protection		IP20 (finger-safe)				
Location		Indoor				
Capacity		4 Mods, DIN 43880				
Application, standard		UL Type 2 Component Assembly, UL 1449, 4 th Edition				
Agency information		cURus, RoHS Compliant				
Warranty		Five years*				

Remote contact signaling	
Signaling type	Changeover contact
Switching capacity (volts/amperes)	AC 250V/0.5A
	DC 250V/0.1A; 125V/0.2A; 75V/0.5A
Conductor and cross-sectional area	60/75°C Max. 1.5mm ² /14AWG solid/flexible
Ordering information	Order from catalog numbers above

* See Eaton Bussmann SPD Limited Warranty Statement (3A1502) for details at www.cooperbussmann.com/surge.