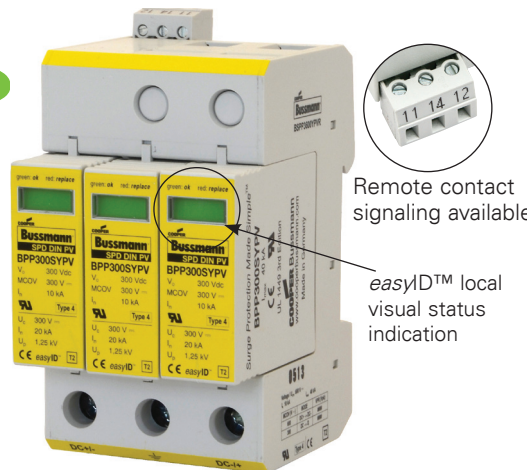


# PV PRO three module photovoltaic surge protective devices for 600 and 1000Vdc systems



### Standard local visual indication

The green and red visual indicator flags show the module protective status (green = good, red = replace).

### Optional remote contact signaling

The three-pole terminal remote contact signaling option has a floating changeover contact for use as a break or make contact, according to circuit concept.

### Specifications:

#### System volts

- 600 Vdc
- 1000 Vdc

#### Systems types

- Two energized poles (all voltages)
- One energized pole (600 and 1000Vdc)

#### Agency information

- UL Recognized
- CE
- RoHS compliant

#### Mounting

- 35 mm DIN-Rail

#### Warranty

- Five years

### Catalog symbols:

- BSPP3\_YPV
- BSPP3\_YPVR

### Description:

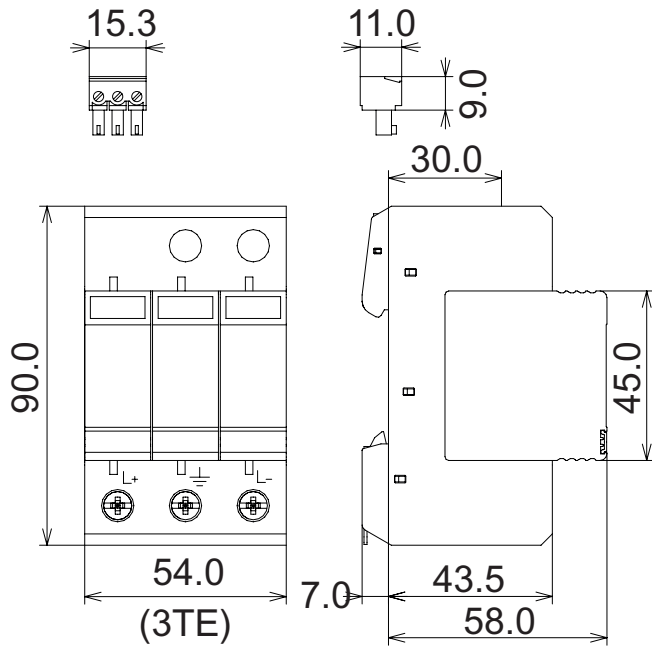
Eaton Bussmann™ series three-module photovoltaic SPDs have a three-step DC switching device and feature *easyID*™ local visual indication and optional remote contact signaling.

These complete surge protective devices are suitable for all PV systems in accordance with UL 1449 4<sup>th</sup> Edition, EN 50539-11 and IEC 60364-7-712. Includes a two year limited warranty.

These prewired solutions consist of a base and modules that feature a disconnection device in the event of an overload and are mechanically keyed to prevent the use of an incorrect replacement module.

In case of insulation faults in the generator circuit, a reliable and tested fault-resistant Y circuit prevents damage to the surge protective devices.

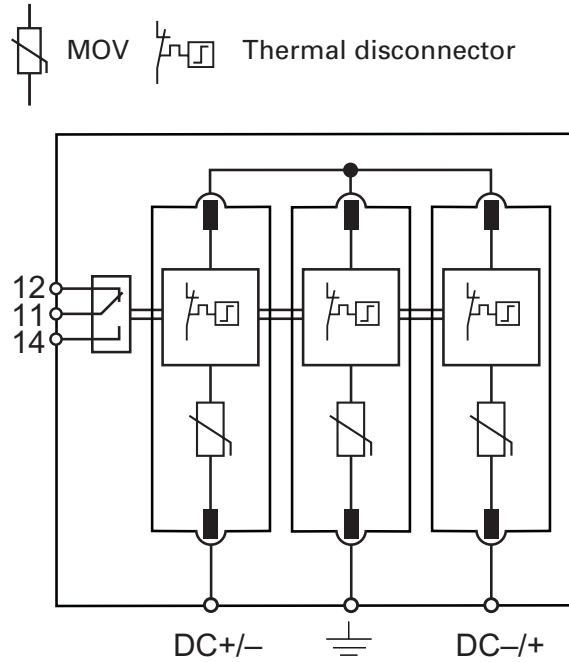
**Dimensions - mm:**



Shown with optional remote contact signaling.

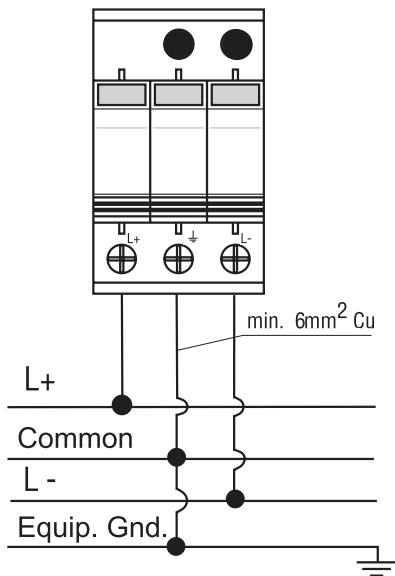
**Module circuit diagrams:**

Shown with optional remote contact signaling



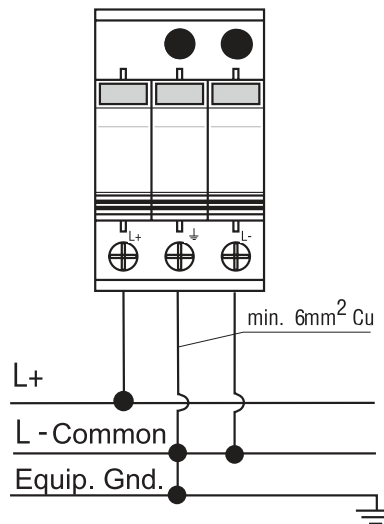
BSP3600YPV(R)  
BSP31000YPV(R)

**Typical application schematics:**



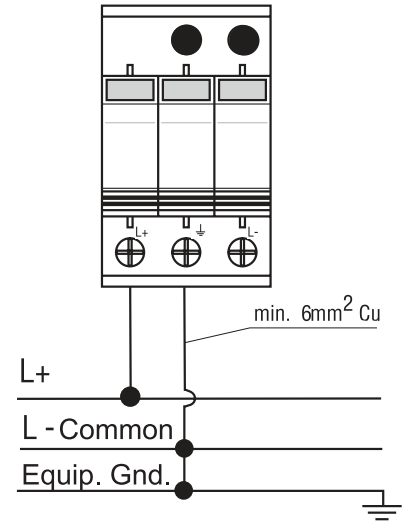
**Application A**

Two energized poles/modes



**Application B**

One energized pole/mode



**Application C**

One energized pole/mode\*

**Ordering information:**

Nominal PV system voltage		600Vdc	1000Vdc
Catalog numbers (base + modules)	W/O remote contact signaling	BSP3600YPV	BSP31000YPV
	W/ remote contact signaling	BSP3600YPVR	BSP31000YPVR
Replacement modules:		BPP300SYPV	BPP500SYPV
Specifications			
Nominal PV system voltage		600V	1000V
UCPV per EN50539-11 *		600Vdc	1000Vdc
System MOV MCOV		700Vdc	1170Vdc
Max system discharge current (8/20 $\mu$ s) [ $I_{max}$ ]		40kA	40kA
Voltage protection level	[ $U_p$ ]	=2.5kV	=4.0kV
	at 5kA [ $U_p$ ]	=2.0kV	=3.5kV
Short-circuit withstand capability [I SCPV]		125A	
Technology		Fault resistant Y MOV circuit	
Operating temperature range [ $T_o$ ]		-40°C to +80°C	
Nominal discharge current (8/20 $\mu$ s) (DC+ $\Delta$ DC-) (DC+/DC- $\Delta$ PE) [ $I_n$ ]		20kA	
Response time [ $t_A$ ]		=25ns	
Operating state/fault indication		Green (good) / Red (replace)	
Conductor ratings and cross-sectional area:	Min.	60/75°C 1.5mm <sup>2</sup> / 14AWG Solid/Flexible	
	Max.	60/75°C 35mm <sup>2</sup> / 2AWG stranded / 25mm <sup>2</sup> / 4AWG flexible	
Mounting		35mm DIN-Rail per EN 60715	
Enclosure material		UL 94V0 Thermoplastic	
Degree of protection		IP20	
Capacity		3 Modules, DIN 43880	
Agency information:		UL UL 1449 3rd Edition (Type 2)	
Warranty		IEC EN 50539-11, IEC 61643-11 Type 2, IEC 61643-11 Class II	
		Two Years**	
Remote contact signaling			
Contact signaling type		Changeover contact	
AC switching capacity (Volts/Amps)	AC	250V / 0.1A	
	DC	250V / 0.1A; 125V / 0.2A; 75V / 0.5A	
Cross-sectional area		60/75°C Max. 1.5mm <sup>2</sup> / 14AWG solid/flexible	
Ordering information		Order from catalog numbers above	

\* Maximum continuous operating voltage for PV applications.

\*\* See Eaton's Bussmann Division SPD limited warranty statement (3A1502) for details at [www.cooperbussmann.com/surge](http://www.cooperbussmann.com/surge).