

PV PRO three module photovoltaic surge protective devices for 600 and 1000Vdc systems



Standard local visual indication

The green and red visual indicator flags show the module protective status (green = good, red = replace).

Optional remote contact signaling

The three-pole terminal remote contact signaling option has a floating changeover contact for use as a break or make contact, according to circuit concept.

Specifications:

System volts

- 600 Vdc
- 1000 Vdc

Systems types

- Two energized poles (all voltages)
- One energized pole (600 and 1000Vdc)

Agency information

- UL Recognized
- CE
- RoHS compliant

Mounting

- 35 mm DIN-Rail

Warranty

- Five years

Catalog symbols:

- BSPP3_YPV
- BSPP3_YPVR

Description:

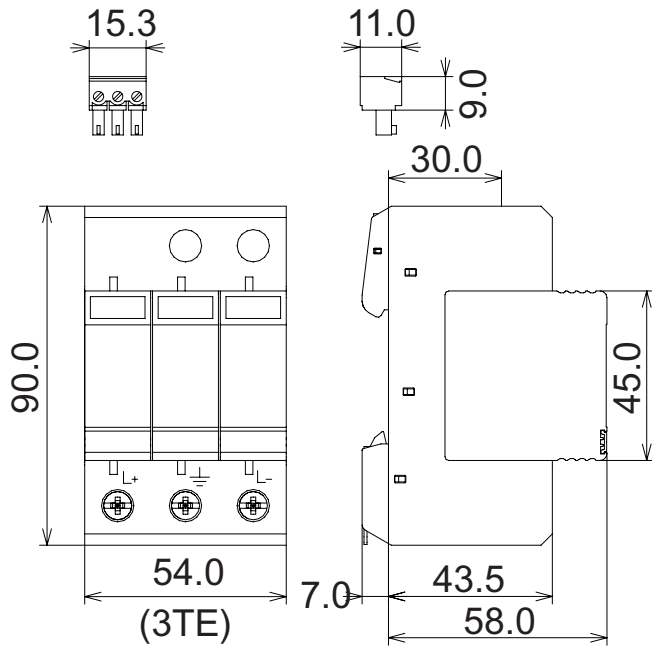
Eaton Bussmann™ series three-module photovoltaic SPDs have a three-step DC switching device and feature *easyID*™ local visual indication and optional remote contact signaling.

These complete surge protective devices are suitable for all PV systems in accordance with UL 1449 4th Edition, EN 50539-11 and IEC 60364-7-712. Includes a two year limited warranty.

These prewired solutions consist of a base and modules that feature a disconnection device in the event of an overload and are mechanically keyed to prevent the use of an incorrect replacement module.

In case of insulation faults in the generator circuit, a reliable and tested fault-resistant Y circuit prevents damage to the surge protective devices.

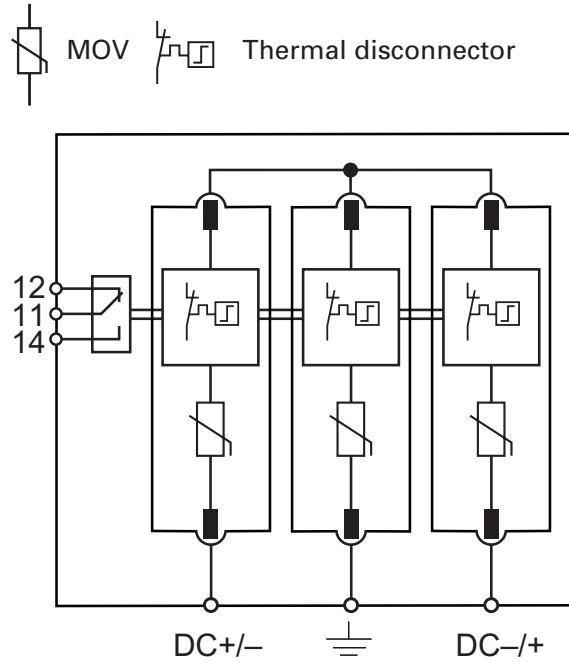
Dimensions - mm:



Shown with optional remote contact signaling.

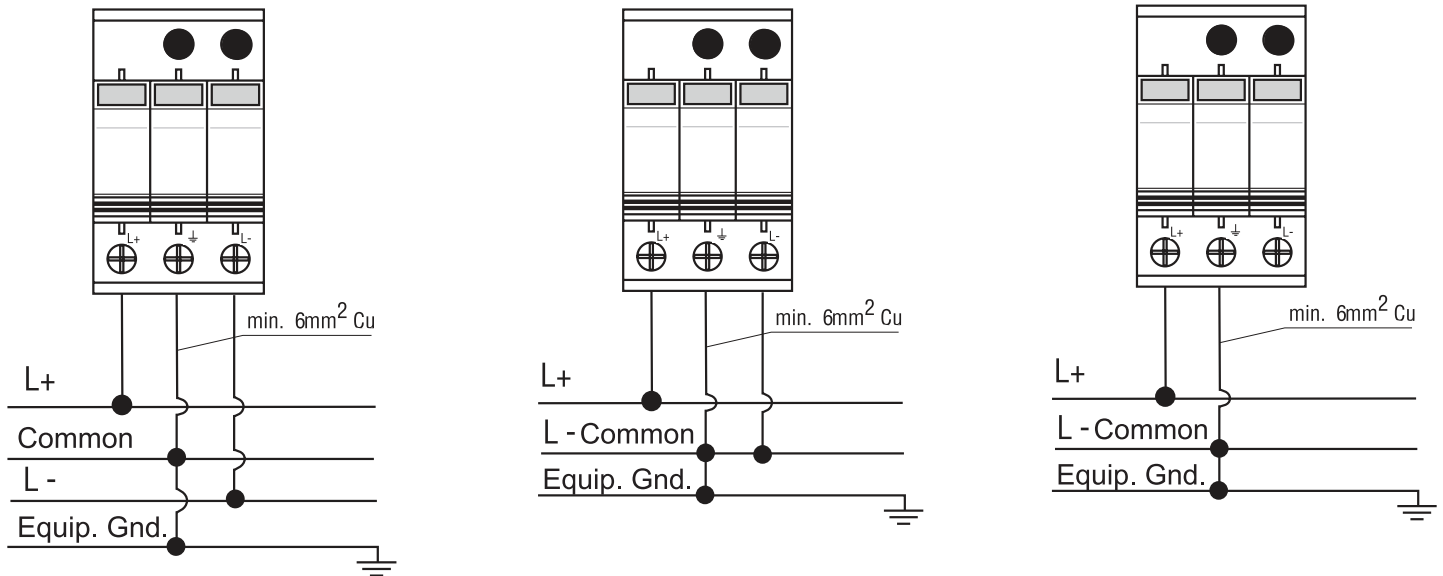
Module circuit diagrams:

Shown with optional remote contact signaling



BSP3600YPV(R)
 BSP31000YPV(R)

Typical application schematics:



Application A
 Two energized poles/modes

Application B
 One energized pole/mode

Application C
 One energized pole/mode*

Ordering information:

Nominal PV system voltage		600Vdc	1000Vdc
Catalog numbers (base + modules)	W/O remote contact signaling	BSP3600YPV	BSP31000YPV
	W/ remote contact signaling	BSP3600YPVR	BSP31000YPVR
Replacement modules:		BPP300SYPV	BPP500SYPV
Specifications			
Nominal PV system voltage		600V	1000V
UCPV per EN50539-11 *		600Vdc	1000Vdc
System MOV MCOV		700Vdc	1170Vdc
Max system discharge current (8/20 μ s) [I_{max}]		40kA	40kA
Voltage protection level	[U_p]	=2.5kV	=4.0kV
	at 5kA [U_p]	=2.0kV	=3.5kV
Short-circuit withstand capability [I SCPV]		125A	
Technology		Fault resistant Y MOV circuit	
Operating temperature range [T_o]		-40°C to +80°C	
Nominal discharge current (8/20 μ s) (DC+ Δ DC-) (DC+/DC- Δ PE) [I_n]		20kA	
Response time [t_A]		=25ns	
Operating state/fault indication		Green (good) / Red (replace)	
Conductor ratings and cross-sectional area:	Min.	60/75°C 1.5mm ² / 14AWG Solid/Flexible	
	Max.	60/75°C 35mm ² / 2AWG stranded / 25mm ² / 4AWG flexible	
Mounting		35mm DIN-Rail per EN 60715	
Enclosure material		UL 94V0 Thermoplastic	
Degree of protection		IP20	
Capacity		3 Modules, DIN 43880	
Agency information:		UL UL 1449 3rd Edition (Type 2)	
Warranty		IEC EN 50539-11, IEC 61643-11 Type 2, IEC 61643-11 Class II	
Warranty		Two Years**	
Remote contact signaling			
Contact signaling type		Changeover contact	
AC switching capacity (Volts/Amps)	AC	250V / 0.1A	
	DC	250V / 0.1A; 125V / 0.2A; 75V / 0.5A	
Cross-sectional area		60/75°C Max. 1.5mm ² / 14AWG solid/flexible	
Ordering information		Order from catalog numbers above	

* Maximum continuous operating voltage for PV applications.

** See Eaton's Bussmann Division SPD limited warranty statement (3A1502) for details at www.cooperbussmann.com/surge.