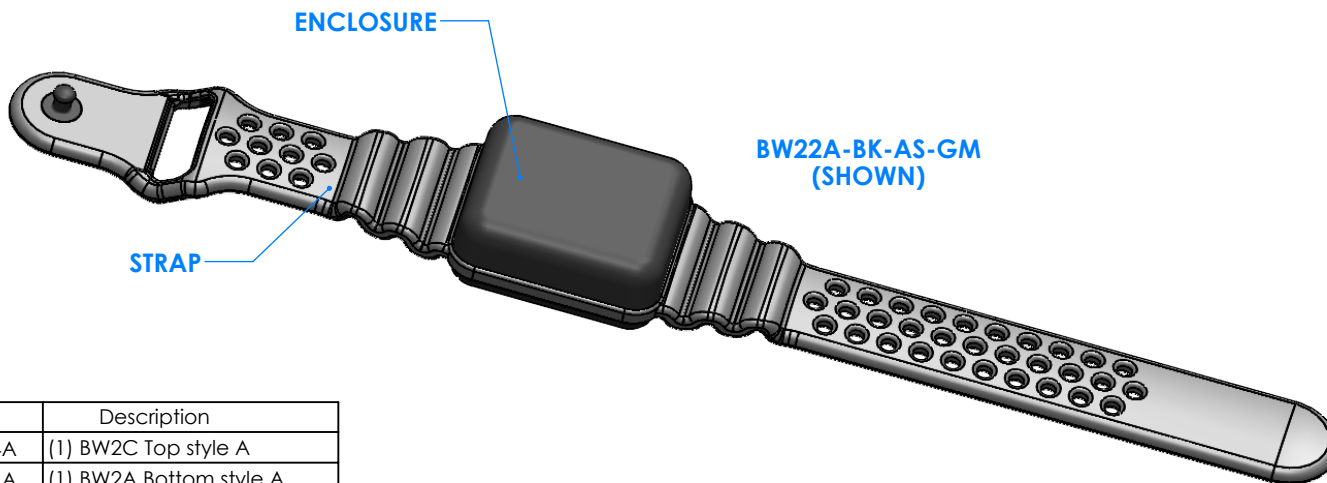
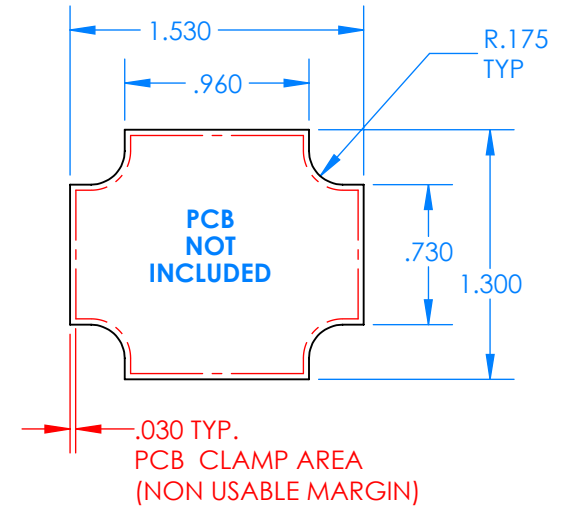
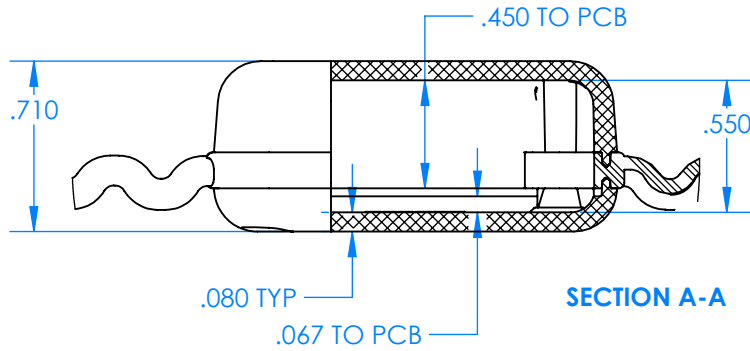
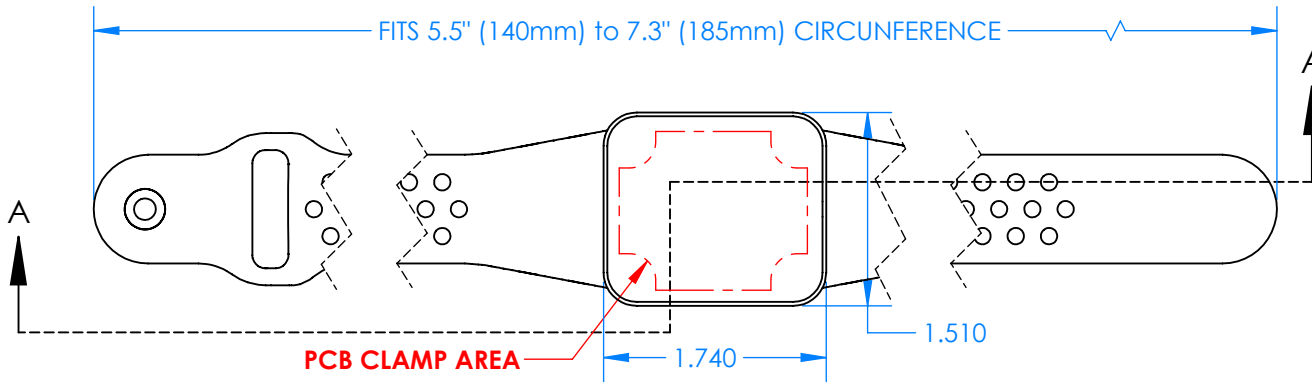


# SERPAC BW22A-YY-AS-ZZ

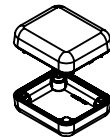
Electronic Enclosures



## Enclosure color (YY)

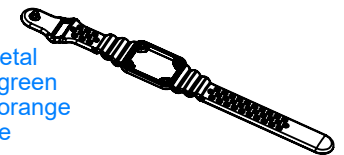
### Top-Bottom combinations available

- BK=black
- CL=clear
- TRGY=translucent gray
- TRRD=translucent red



## Strap color (ZZ)

- BK=black
- BL=blue
- GM=gunmetal
- NG=neon green
- NO=neon orange
- OR=orange
- YL=yellow
- WH=white



PN	Description
5514A	(1) BW2C Top style A
5511A	(1) BW2A Bottom style A
5517A	(1) BW2AS Small Strap style A
6002	(4) #2 X 3/8" PH HD screw. TORQUE 35-60 in-oz

Watertight enclosure meets or exceeds:  
**IP67**  
**NEMA 4X, 12, 13**