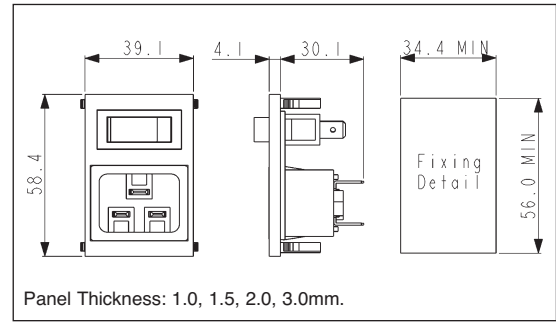


C20 IEC Inlet - Vertical

VERTICAL MODULE ARRANGEMENT



- Inlet with 4.8mm or 6.3mm tags
- Single Pole Switch marked I/O
- Illuminated, red or green, switches
- High inrush non-illuminated switch



How to Order

BZV xx / xxxxx / xx

Type of Inlet	Filtered or Non Filtered Inlet	Combination of Other Components
C20 Power Inlet (cold condition), 4.8 or 6.3mm tabs: 49 = PX0598/63 50 = PX0598/48	Z0000 = Non Filtered	Single Pole Switch: 01 = S.P. Switch Single Pole Switch Marked (I/O): 69 = S.P. Switch (I/O) Single Pole Illuminated Switch: 02 = S.P. Illuminated Red 08 = S.P. Illuminated Green Single Pole Non-illuminated High Inrush Switch Marked I/O: 98 = S.P. High Inrush Switch (I/O) Single Pole Illuminated (Red or Green 250v Neon) Switch Marked I/O: 71 = S.P. Switch Illuminated Red (I/O) 74 = S.P. Switch Illuminated Green (I/O)

Note: For technical details of individual components please see page 106