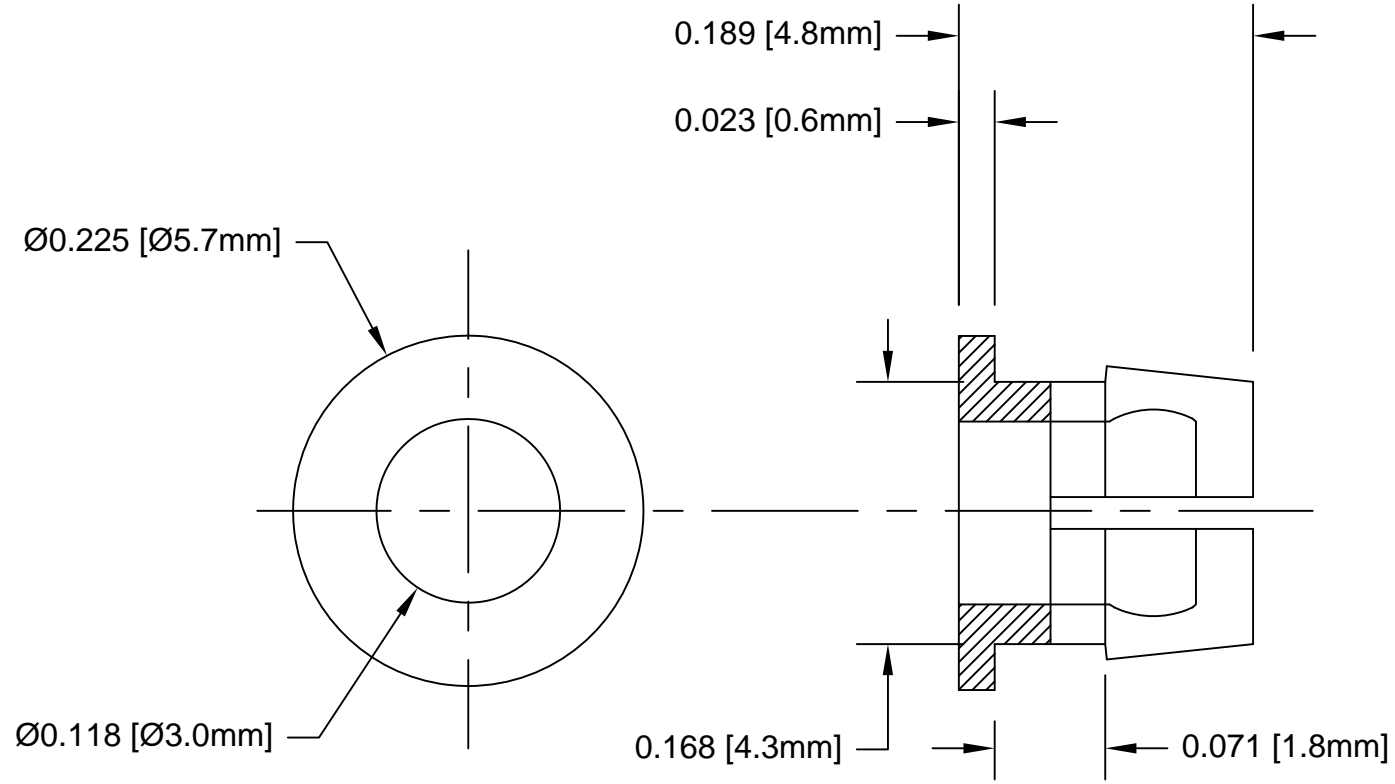

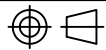


REV.	DESCRIPTION	DATE	APPROVED
A	Engineering Release	01/23/07	M. C.
B	Changed Outer Diameter from .232 to .225	03/28/07	M. C.
C	Added 0.168 Dimension	08/12/09	T. Y.
D	Removed Material Code	05/28/16	J. C.



2. MATERIAL: NYLON 6/6, 94V-2, BLACK.

1. GENERAL SPECIFICATIONS: BIVAR MOLDED COMPONENT SPECIFICATION BV00-101.

STANDARD TOLERANCE (UNLESS OTHERWISE SPECIFIED)		 4 THOMAS, IRVINE, CA. 92618 TEL: (949) 951-8808 FAX: (949) 951-3974		
DECIMALS	ANGULAR			
.X ± .1	X° ± 1°	 <b>TITLE:</b> T-1 (3mm) LED CLIP		
.XX ± .01				
.XXX ± .005		DESIGNED: <b>S. Dam</b>	DATE: <b>01/23/07</b>	<b>PART NO:</b> C-101 <b>REVISION:</b> D
		CHECKED: <b>T. Yin</b>	DATE: <b>01/23/07</b>	
CAD GENERATED DOCUMENT. DO NOT MEASURE DRAWING.				