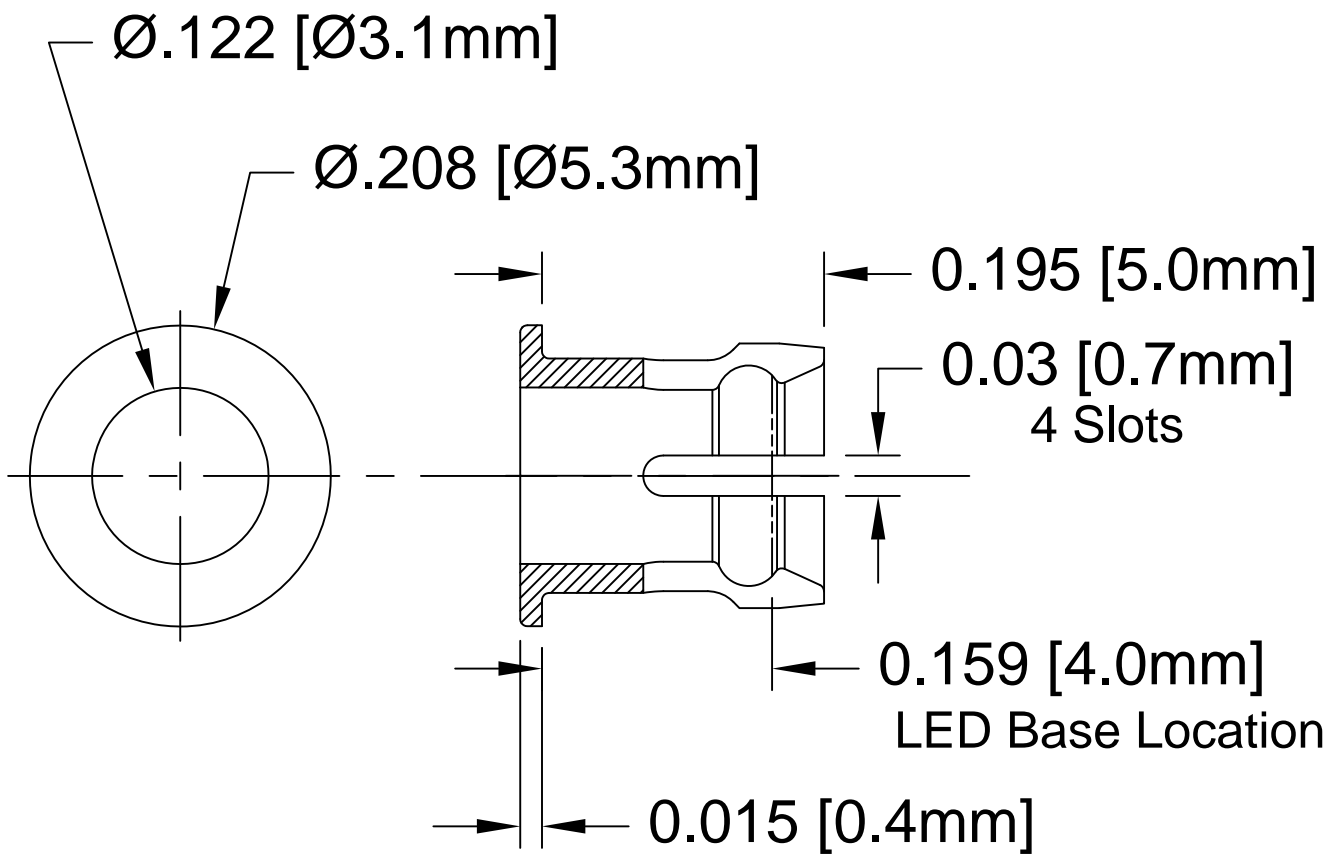

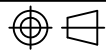


REV.	DESCRIPTION	DATE	APPROVED
<b>A</b>	Engineering Release	11/11/02	<b>M. C.</b>
<b>B</b>	Engineering Update w/o Changes	06/14/04	<b>M. C.</b>
<b>C</b>	Removed Material Code	05/28/16	<b>J. C.</b>



2. MATERIAL: NYLON 6/6, 94V-0, BLACK.

1. GENERAL SPECIFICATIONS: BIVAR MOLDED COMPONENT SPECIFICATION BV00-E101.

STANDARD TOLERANCE ( UNLESS OTHERWISE SPECIFIED )		 <b>BIVAR</b> <sup>®</sup> 4 THOMAS, IRVINE, CA. 92618 TEL: (949) 951-8808 FAX: (949) 951-3974	
DECIMALS	ANGULAR		
.X ± .1	X° ± 1°	 <b>TITLE:</b> T-1 (3mm) LED CLIP	
.XX ± .01			
.XXX ± .005			
DESIGNED: <b>D. Green</b>	DATE: <b>11/11/02</b>	<b>PART NO:</b> C-104	REVISION: <b>C</b>
CHECKED: <b>M. Chen</b>	DATE: <b>11/11/02</b>	<b>CAGE CODE :</b> 32559	<b>SHEET #</b> 1 <b>OF</b> 1
CAD GENERATED DOCUMENT. DO NOT MEASURE DRAWING.			