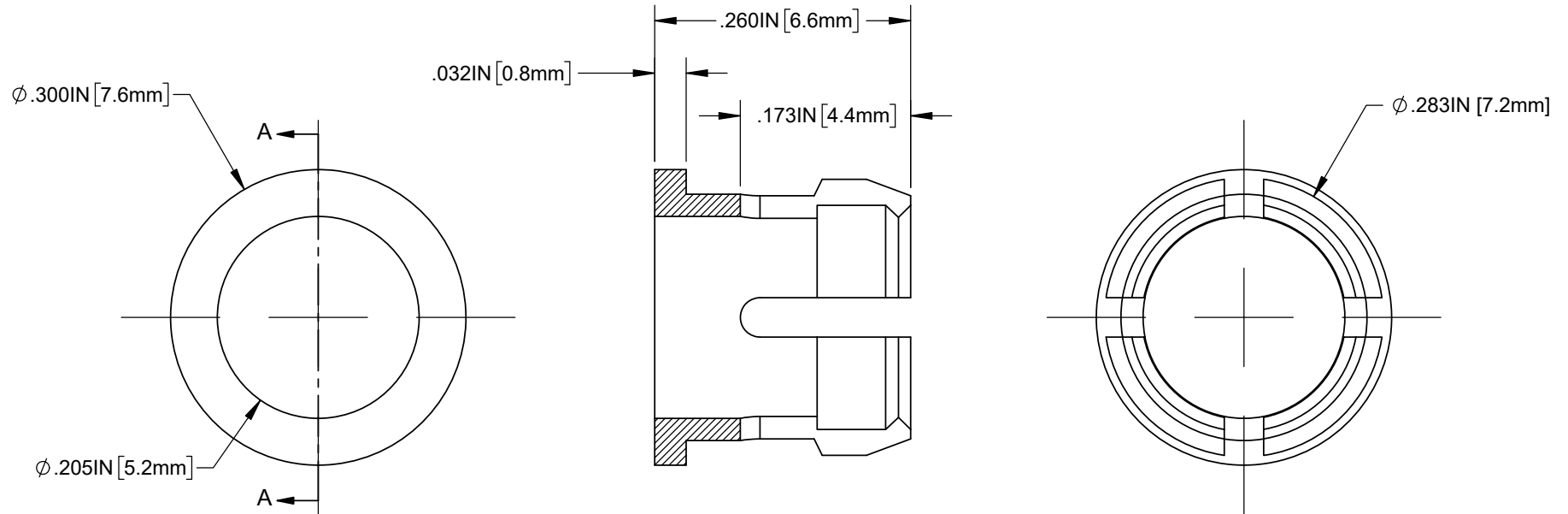


NOTES:


1. MATERIAL: NYLON 6/6, 94V-2, BLACK.

REVISIONS			
REV.	DESCRIPTION	DATE	APPROVED
A	ENGINEERING RELEASE	5/17/02	M.C.
B	MATERIAL UPDATE	2/28/03	M.C.
C	UPDATE PART NAME	4/5/12	T.Y.
D	REMOVE MATERIAL CODE	5/28/16	J.C.
E	UPDATED MAT'L FLAMMABILITY PER ECO-1092	6/18/21	A.V.
F	ECO-1223, CHANGE FLAMMABILITY & DIM	9/20/2023	A.V.



SECTION A-A
SCALE 6 : 1

CUSTOMER USE DRAWING

STANDARD TOLERANCE (UNLESS OTHERWISE SPECIFIED)		 4 THOMAS, IRVINE, CA. 92618 TEL: (949) 951-8808 FAX: (949) 951-3974	
DECIMALS	ANGULAR		
.X ± .1	X° ± 1°	TITLE: CLIP SNAP-IN MOUNTING FOR T1-3/4 (5mm) LEDs	
.XX ± .01			
.XXX ± .005			
DESIGNED: S. IRVING	DATE: 11/24/98	DRAWING NO: C-174_F	REVISION: F
REVISED: A. VALDEZ	DATE: 09/20/23	SHEET SIZE A	CAGE CODE: 32559
CHECKED: MICHAEL P.	DATE: 09/20/23	SCALE: 6:1	SHEET # 1 OF 1

CAD GENERATED DOCUMENT, DO NOT MEASURE DRAWING