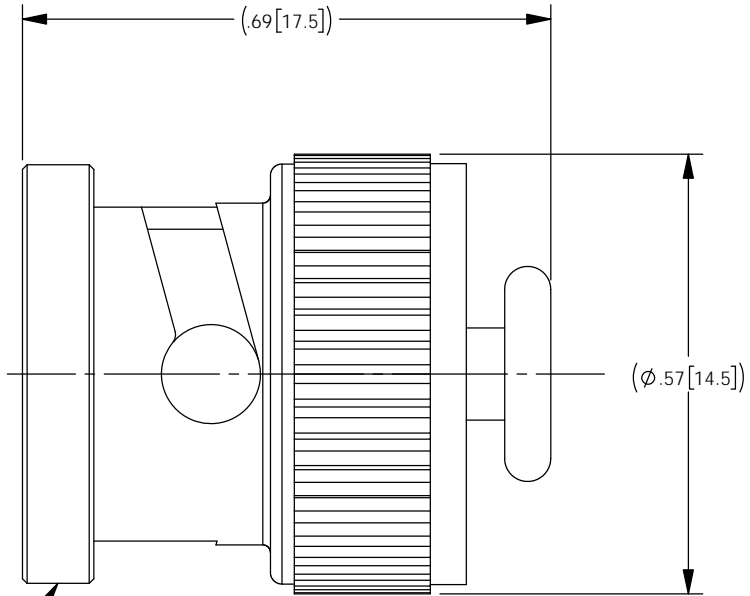


This document, including the design, configuration and mechanical features revealed herein are the sole, confidential and proprietary property of Winchester Interconnect. Reproduction or use thereof, in whole or part, is prohibited without the prior written consent of Winchester Interconnect.

REV	DESCRIPTION	DATE	APPROVED
B	CREATED EP-2716	12/10/21	DCam

B

B



MARK: 91836 SM-C-447403 B YRWK (DATE CODE)

A

A

NOTES:

MATERIAL:
 GASKET: SILICONE RUBBER PER A-A-59588
 ALL METAL PARTS: BRASS PER ASTM B16

FINISH:
 SILVER PLATE PER ASTM B700

CATALOG P/N: C-89-59-1

CAGE Code: 91836 **Kings** Win

68 Water St.
 Norwalk, CT 06854

DRAWN	DATE
DCam	12/10/2021
APPR.	DATE
XXX	XX/XX/XX
APPR.	DATE
XXX	XX/XX/XX



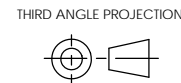
Winchester
 Interconnect.

TITLE:

BNC CAP SUB-ASSY

UNLESS OTHERWISE SPECIFIED:
 DIMENSIONS ARE IN INCHES [MM]

TOLERANCES:
 X[X]: $\pm 0.1 [3]$
 XX[X.X]: $\pm 0.01 [0.3]$
 XXX[X.XX]: $\pm 0.005 [0.13]$
 ANGLES: $\pm 2.0^\circ$



SIZE

A

SH 1 OF 1

DWG. NO.

SDC-89-59-1

REV

B