

NIS83-MX-3-W

~50° wide beam

SPECIFICATION:

Dimensions	Ø 50.0 mm
Height	15.3 mm
Fastening	glue, pin
ROHS compliant	yes ⓘ

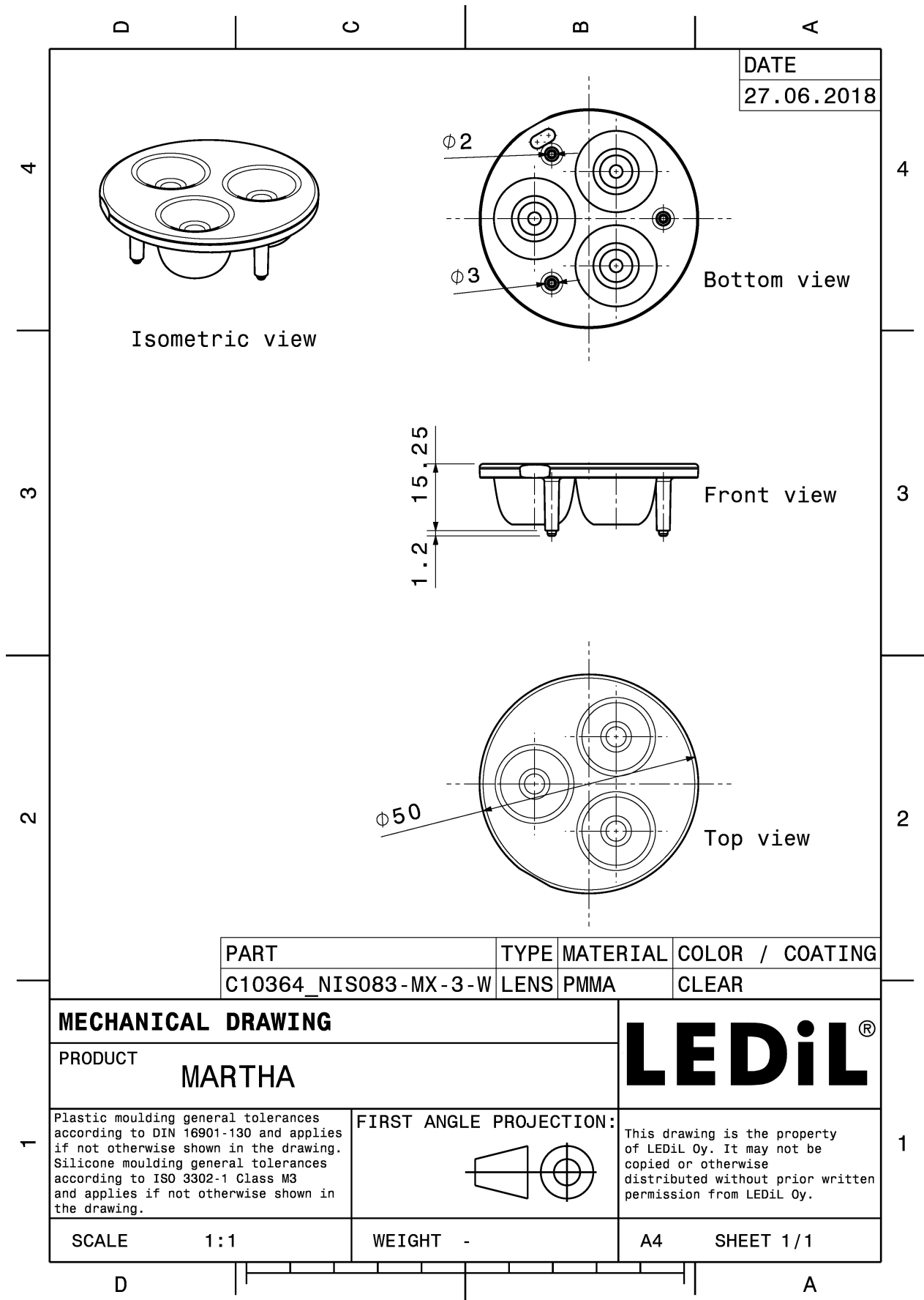
MATERIALS:

Component	Type	Material	Colour	Finish
NIS83-MX-3-W	Multi-lens	PMMA	clear	

ORDERING INFORMATION:

Component	Qty in box	MOQ	MPQ	Box weight (kg)
C10364_NIS83-MX-3-W » Box size: 480 x 280 x 300 mm	364	112	28	5.7





See also our general installation guide: www.ledil.com/installation_guide

OPTICAL RESULTS (MEASURED):



LED	NS6x83
FWHM / FWTM	48.0°
Efficiency	%
LEDs/each optic	1
Light colour	White
Required components:	