

PLATINUMROCKET-3-W

~45° wide beam

SPECIFICATION:

Dimensions	Ø 50.0 mm
Height	15.6 mm
Fastening	glue, pin
ROHS compliant	yes ⓘ

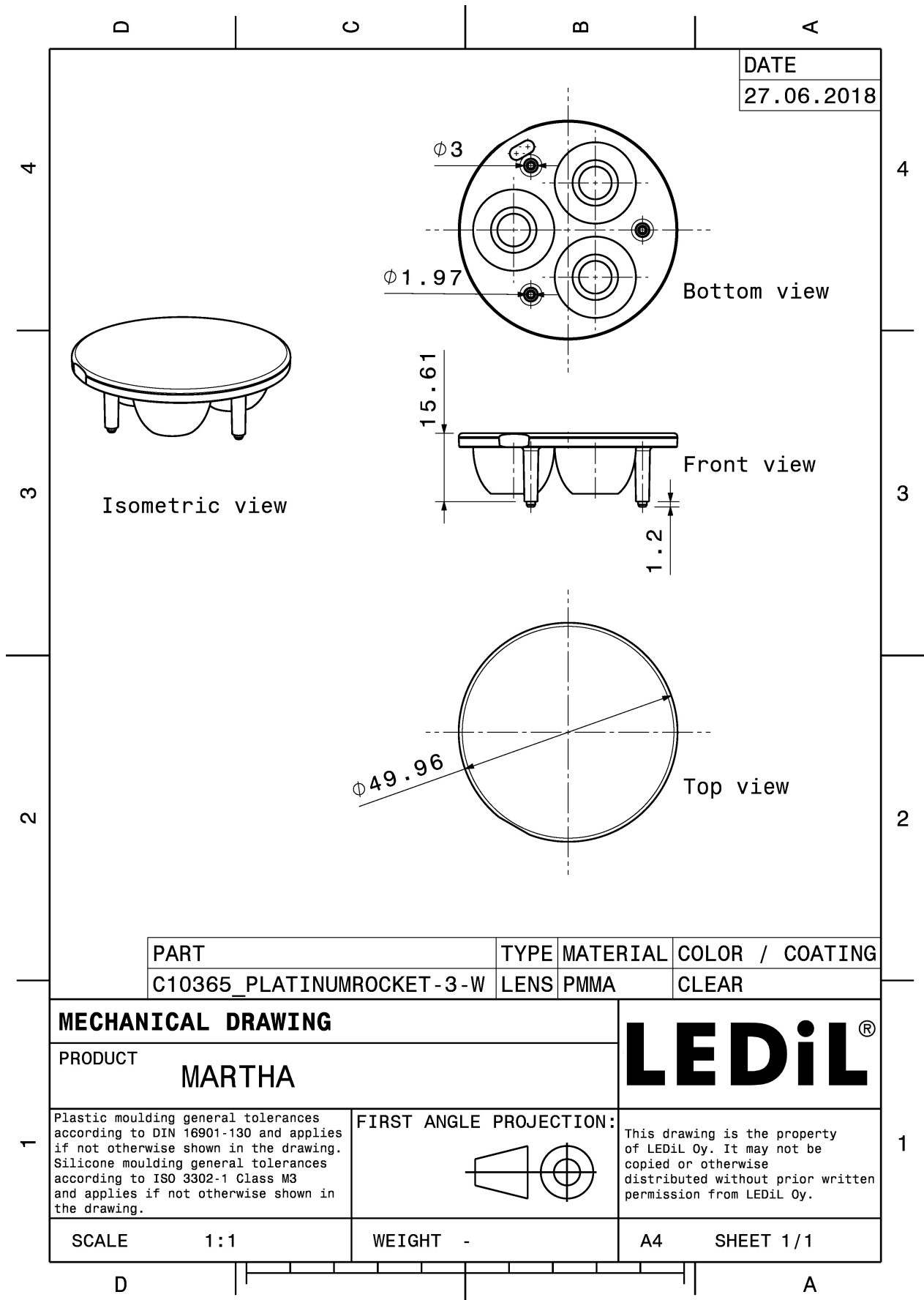
MATERIALS:

Component	Type	Material	Colour	Finish
PLATINUMROCKET-3-W	Multi-lens	PMMA	clear	

ORDERING INFORMATION:

Component	Qty in box	MOQ	MPQ	Box weight (kg)
C10365_PLATINUMROCKET-3-W » Box size: 480 x 280 x 300 mm	364	112	28	6.5





See also our general installation guide: www.ledil.com/installation_guide

OPTICAL RESULTS (MEASURED):



LED XR-E
FWHM / FWTM 40.0°
Efficiency %
LEDs/each optic 1
Light colour White
Required components:



LED Golden Dragon+
FWHM / FWTM 46.0°
Efficiency %
LEDs/each optic 1
Light colour White
Required components:

