

PLATINUMROCKET-3-SS

~14° smooth spot beam

SPECIFICATION:

Dimensions	Ø 50.0 mm
Height	15.6 mm
Fastening	glue, pin
ROHS compliant	yes ⓘ

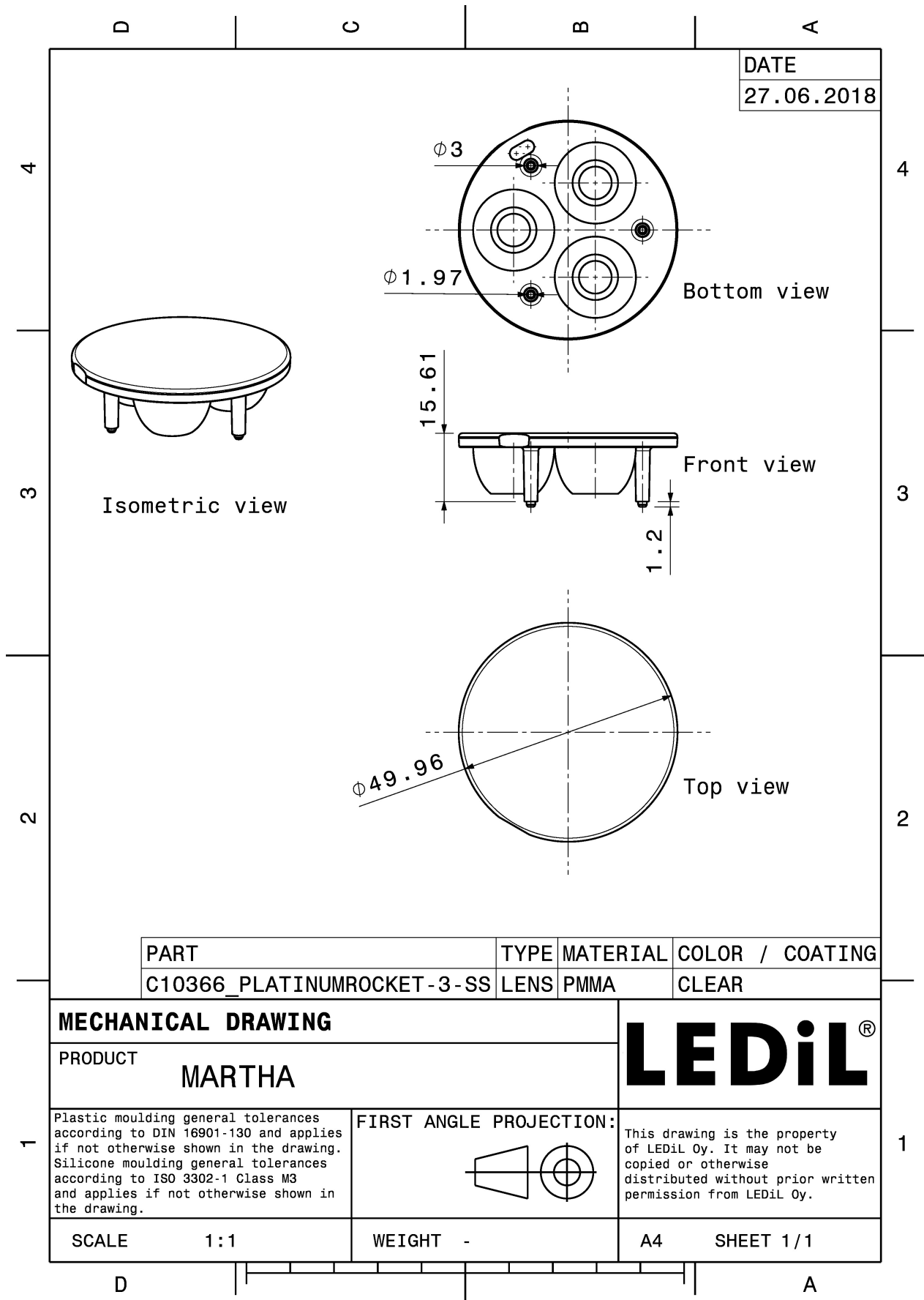


MATERIALS:

Component	Type	Material	Colour	Finish
PLATINUMROCKET-3-SS	Multi-lens	PMMA	clear	

ORDERING INFORMATION:

Component	Qty in box	MOQ	MPQ	Box weight (kg)
C10366_PLATINUMROCKET-3-SS » Box size: 480 x 280 x 300 mm	364	112	28	6.6



DATE
27.06.2018

PART	TYPE	MATERIAL	COLOR / COATING
C10366_PLATINUMROCKET-3-SS	LENS	PMMA	CLEAR

MECHANICAL DRAWING		LEDiL®
PRODUCT MARTHA		
Plastic moulding general tolerances according to DIN 16901-130 and applies if not otherwise shown in the drawing. Silicone moulding general tolerances according to ISO 3302-1 Class M3 and applies if not otherwise shown in the drawing.	FIRST ANGLE PROJECTION: 	This drawing is the property of LEDiL Oy. It may not be copied or otherwise distributed without prior written permission from LEDiL Oy.
SCALE 1:1	WEIGHT -	A4 SHEET 1/1

See also our general installation guide: www.ledil.com/installation_guide

OPTICAL RESULTS (MEASURED):



LED XR-E
FWHM / FWTM 14.0°
Efficiency %
LEDs/each optic 1
Light colour White
Required components:



LED Golden Dragon+
FWHM / FWTM 14.0°
Efficiency %
LEDs/each optic 1
Light colour White
Required components: