

PLATINUMROCKET-3-M

~20° medium beam

SPECIFICATION:

| | |
|----------------|-----------|
| Dimensions | Ø 50.0 mm |
| Height | 15.6 mm |
| Fastening | glue, pin |
| ROHS compliant | yes ⓘ |

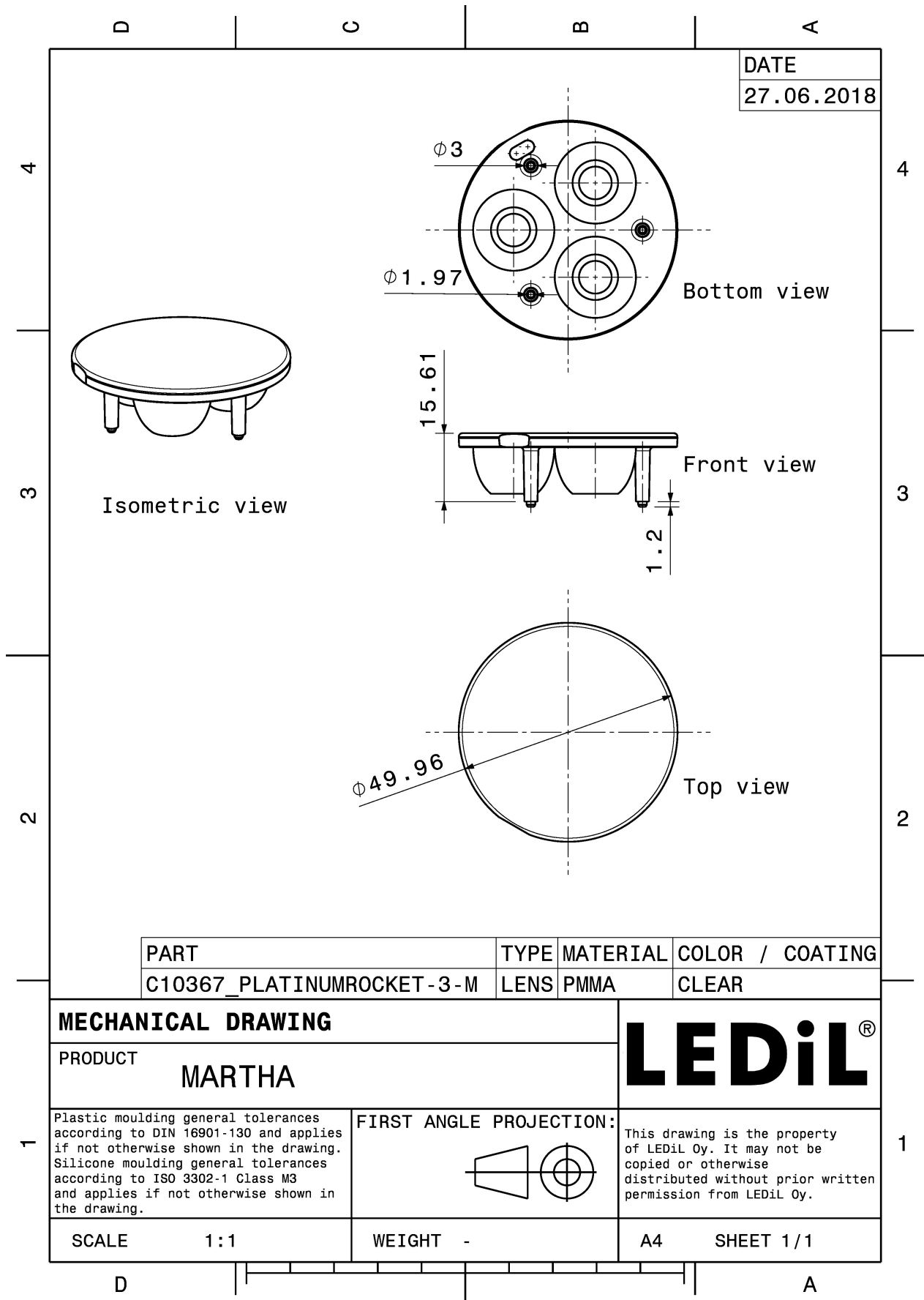


MATERIALS:

| Component | Type | Material | Colour | Finish |
|--------------------|------------|----------|--------|--------|
| PLATINUMROCKET-3-M | Multi-lens | PMMA | clear | |

ORDERING INFORMATION:

| Component | Qty in box | MOQ | MPQ | Box weight (kg) |
|---|------------|-----|-----|-----------------|
| C10367_PLATINUMROCKET-3-M » Box size: 480 x 280 x 300 mm | 364 | | 28 | 6.6 |



See also our general installation guide: www.ledil.com/installation_guide

OPTICAL RESULTS (MEASURED):



| | |
|-----------------|-------|
| LED | XR-E |
| FWHM / FWTM | 20.0° |
| Efficiency | % |
| LEDs/each optic | 1 |
| Light colour | White |

Required components:



| | |
|-----------------|----------------|
| LED | Golden Dragon+ |
| FWHM / FWTM | 20.0° |
| Efficiency | % |
| LEDs/each optic | 1 |
| Light colour | White |

Required components: