

FLARE-C

25 x 25 mm lens with ~90° x 8° oval beam

SPECIFICATION:

Dimensions	24.5 x 24.5 mm
Height	14.6 mm
Fastening	glue, screw
ROHS compliant	yes ⓘ

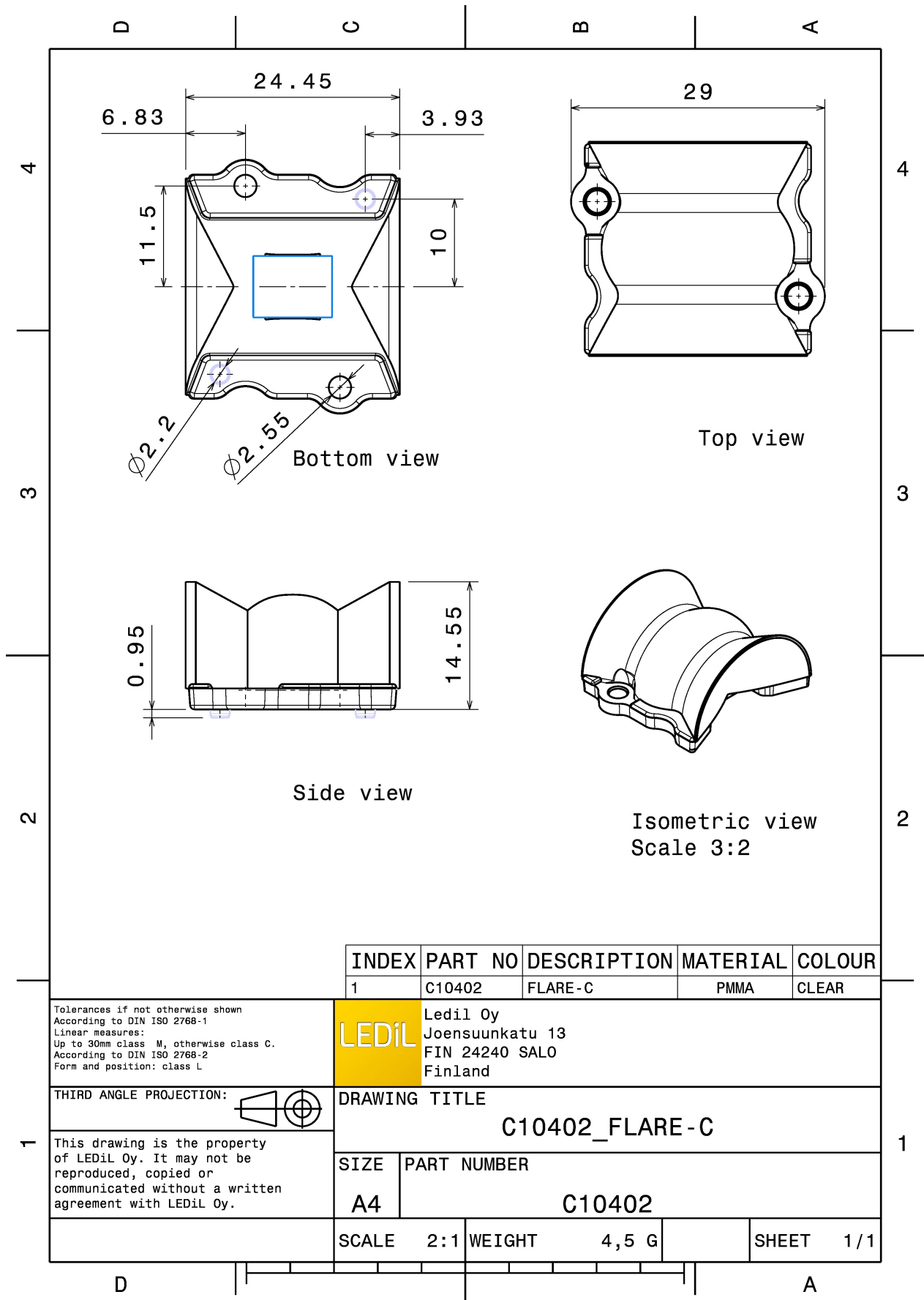


MATERIALS:

Component	Type	Material	Colour	Finish
FLARE-C	Single lens	PMMA	clear	

ORDERING INFORMATION:

Component	Qty in box	MOQ	MPQ	Box weight (kg)
C10402_FLARE-C » Box size:	1792	224	224	9.6



INDEX	PART NO	DESCRIPTION	MATERIAL	COLOUR
1	C10402	FLARE-C	PMMA	CLEAR

Tolerances if not otherwise shown
According to DIN ISO 2768-1
Linear measures:
Up to 30mm class M, otherwise class C.
According to DIN ISO 2768-2
Form and position: class L

LEDiL Ledil Oy
Joensuunkatu 13
FIN 24240 SALO
Finland

THIRD ANGLE PROJECTION:

DRAWING TITLE
C10402_FLARE-C

This drawing is the property of LEDiL Oy. It may not be reproduced, copied or communicated without a written agreement with LEDiL Oy.

SIZE	PART NUMBER
A4	C10402

SCALE	2:1	WEIGHT	4,5 G	SHEET	1/1
-------	-----	--------	-------	-------	-----

See also our general installation guide: www.ledil.com/installation_guide

OPTICAL RESULTS (MEASURED):

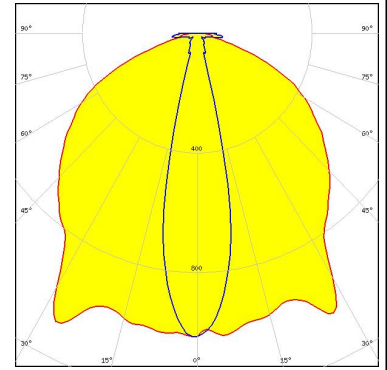


LED	XR-E
FWHM / FWTM	84.0 + 7.0° / 116.0 + 12.0°
Efficiency	%
Peak intensity	3.2 cd/lm
LEDs/each optic	1
Light colour	White
Required components:	

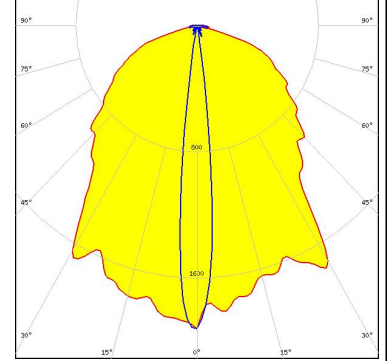
OPTICAL RESULTS (SIMULATED):



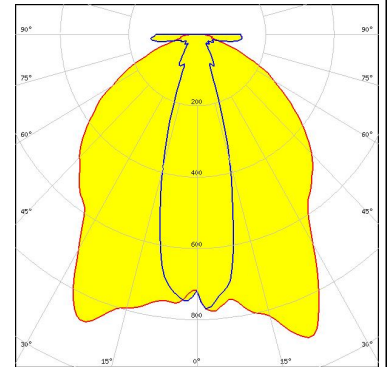
LED XHP50.3 HD
 FWHM / FWTM 108.0 + 24.0° / 149.0 + 35.0°
 Efficiency 96 %
 Peak intensity 1.1 cd/lm
 LEDs/each optic 1
 Light colour White
 Required components:



LED XP-E2
 FWHM / FWTM 93.0 + 12.0° / 148.0 + 18.0°
 Efficiency 94 %
 Peak intensity 1.9 cd/lm
 LEDs/each optic 1
 Light colour Red
 Required components:



LED LUXEON 7070
 FWHM / FWTM 94.0 + 30.0° / 145.0 + 180.0°
 Efficiency 94 %
 Peak intensity 0.9 cd/lm
 LEDs/each optic 1
 Light colour White
 Required components:



LED LUXEON CZ
 FWHM / FWTM 68.0 + 10.0° / 143.0 + 14.0°
 Efficiency 95 %
 Peak intensity 2.9 cd/lm
 LEDs/each optic 1
 Light colour Red
 Required components:

