

NIS83-MX-3-M

~20° medium beam

SPECIFICATION:

Dimensions	Ø 50.0 mm
Height	15.3 mm
Fastening	glue, pin
ROHS compliant	yes ⓘ

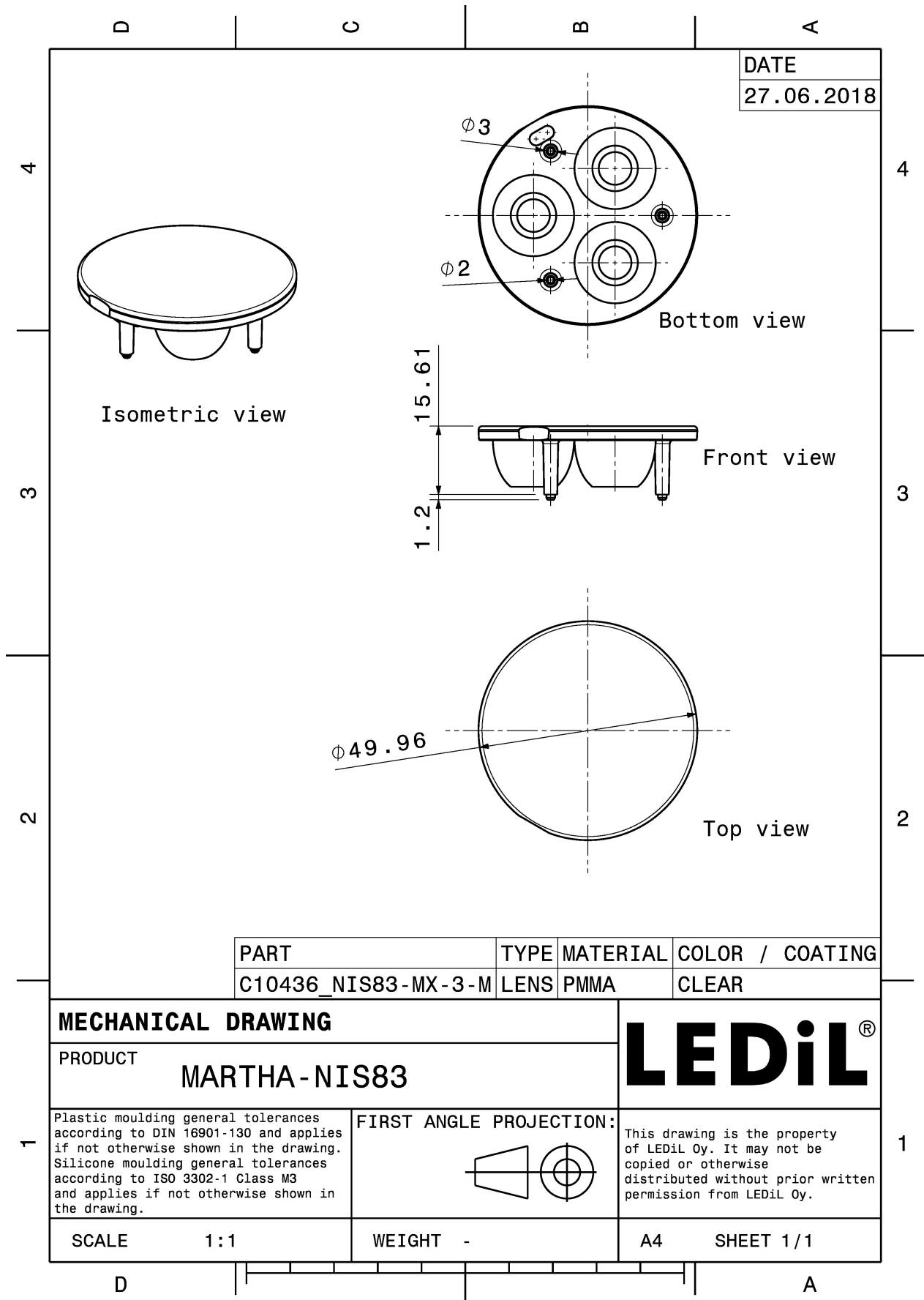


MATERIALS:

Component	Type	Material	Colour	Finish
NIS83-MX-3-M	Multi-lens	PMMA	clear	

ORDERING INFORMATION:

Component	Qty in box	MOQ	MPQ	Box weight (kg)
C10436_NIS83-MX-3-M » Box size: 480 x 280 x 300 mm	364	112	28	6.9



See also our general installation guide: www.ledil.com/installation_guide

OPTICAL RESULTS (MEASURED):



LED MX-6
FWHM / FWTM 22.0°
Efficiency %
LEDs/each optic 1
Light colour White
Required components:



LED NS6x83
FWHM / FWTM 22.0°
Efficiency %
LEDs/each optic 1
Light colour White
Required components: