

## GT4-W

~40° wide beam

### TECHNICAL SPECIFICATIONS:

Dimensions	Ø 35.0 mm
Height	9 mm
Fastening	glue, pin
ROHS compliant	yes ⓘ

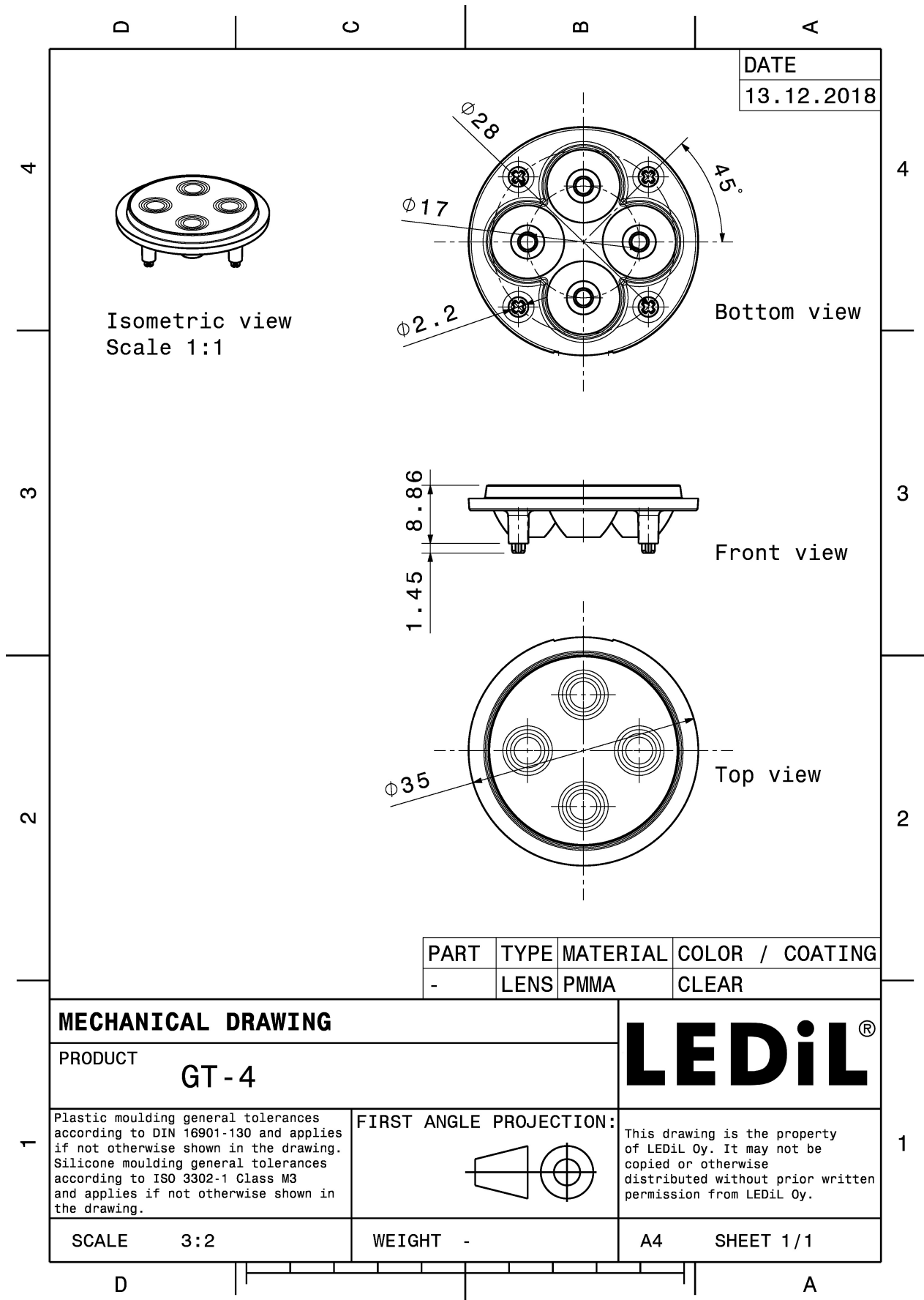
### MATERIAL SPECIFICATIONS:

Component	Type	Material	Colour	Finish
GT4-W	Multi-lens	PMMA	clear	

### ORDERING INFORMATION:


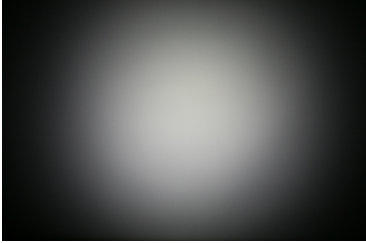

Component	Qty in box	MOQ	MPQ	Box weight (kg)
C10973_GT4-W » Box size: 300 x 250 x 250 mm	864	144	144	4.6





See also our general installation guide: [www.ledil.com/installation\\_guide](http://www.ledil.com/installation_guide)

## PHOTOMETRIC DATA (MEASURED):

 LED LUXEON Rebel FWHM / FWTM 38.0° Efficiency 92 % LEDs/each optic 1 Light colour White Required components:	
 LED NCSxx19A FWHM / FWTM 36.0° Efficiency % LEDs/each optic 1 Light colour White Required components:	

## PHOTOMETRIC DATA (SIMULATED):



LED	NVSxx19A
FWHM / FWTM	38.0°
Efficiency	%
LEDs/each optic	1
Light colour	White
Required components:	