

STRADA-DW

Soft wide beam with good illuminance uniformity optimized for CREE XP-G and XP-E.

SPECIFICATION:

Dimensions	19.6 x 15.5 mm
Height	9 mm
Fastening	pin, screw
ROHS compliant	yes ⓘ

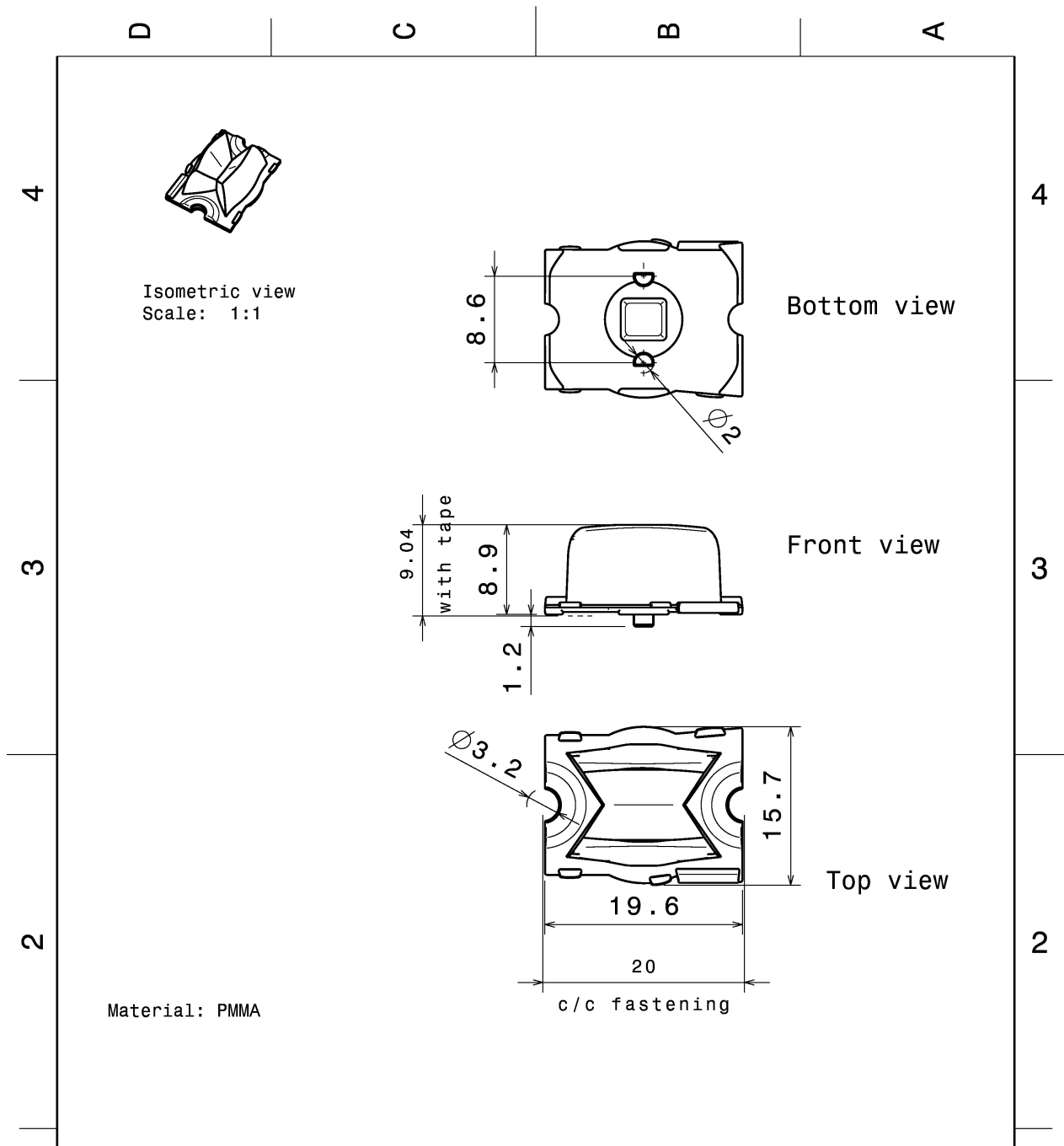


MATERIALS:

Component	Type	Material	Colour	Finish
STRADA-DW	Single lens	PMMA	clear	

ORDERING INFORMATION:

Component	Qty in box	MOQ	MPQ	Box weight (kg)
C11255_STRADA-DW » Box size: 480 x 280 x 300 mm	2880	288	144	4.8



This drawing is our property. It can't be reproduced or communicated without our written agreement.



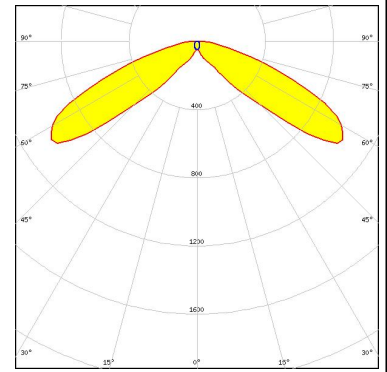
DRAWN BY p		DATE 14.01.2010	DRAWING TITLE Datasheet Strada-DW lens Series		
CHECKED BY f k	DATE 01.12.2009	SIZE A4	DRAWING NUMBER C11255	REV 1	
DESIGNED BY hh	DATE 01.12.2009	SCALE 2:1	WEIGHT (g)	SHEET 1/1	

See also our general installation guide: www.ledil.com/installation_guide

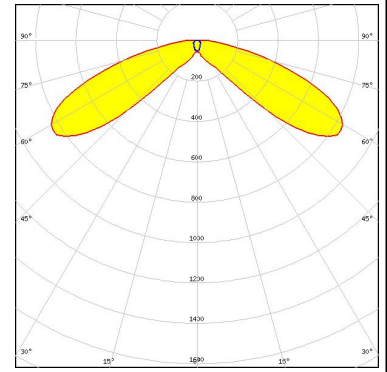
OPTICAL RESULTS (MEASURED):



LED XP-E
FWHM / FWTM 90.0 + 140.0°
Efficiency 92 %
Peak intensity 1 cd/m
LEDs/each optic 1
Light colour White
Required components:



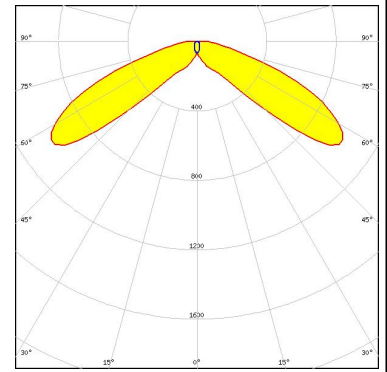
LED XP-G
FWHM / FWTM 88.0 + 148.0°
Efficiency 92 %
Peak intensity 0.8 cd/m
LEDs/each optic 1
Light colour White
Required components:





LED LUXEON A
FWHM / FWTM 86.0 + 140.0°
Efficiency 92 %
LEDs/each optic 1
Light colour White
Required components:



LED LUXEON Rebel
FWHM / FWTM 86.0 + 140.0°
Efficiency 92 %
Peak intensity 1 cd/m
LEDs/each optic 1
Light colour White
Required components:



OPTICAL RESULTS (MEASURED):

		
LED	LUXEON Rebel ES	
FWHM / FWTM	86.0 + 140.0°	
Efficiency	92 %	
LEDs/each optic	1	
Light colour	White	
Required components:		
		
LED	NCSxx19A	
FWHM / FWTM	86.0 + 148.0°	
Efficiency	92 %	
LEDs/each optic	1	
Light colour	White	
Required components:		
		
LED	NVSxx19A	
FWHM / FWTM	86.0 + 148.0°	
Efficiency	92 %	
LEDs/each optic	1	
Light colour	White	
Required components:		
		
LED	OSLON SSL 150	
FWHM / FWTM	92.0 + 142.0°	
Efficiency	92 %	
LEDs/each optic	1	
Light colour	White	
Required components:		

OPTICAL RESULTS (MEASURED):

OSRAM

Opto Semiconductors

LED OSLON SSL 80
FWHM / FWTM 92.0 + 142.0°
Efficiency 92 %
Peak intensity 1 cd/lm
LEDs/each optic 1
Light colour White
Required components:



SEOUL SEMICONDUCTOR

LED Z5
FWHM / FWTM 90.0 + 140.0°
Efficiency 92 %
LEDs/each optic 1
Light colour White
Required components:

SHARP

LED Double Dome (GM2BB)
FWHM / FWTM 90.0 + 140.0°
Efficiency 92 %
LEDs/each optic 1
Light colour White
Required components:

OPTICAL RESULTS (SIMULATED):



LED	NVSxx19B/NVSxx19C
FWHM / FWTM	Asymmetric
Efficiency	94 %
Peak intensity	1.1 cd/lm
LEDs/each optic	1
Light colour	White
Required components:	

